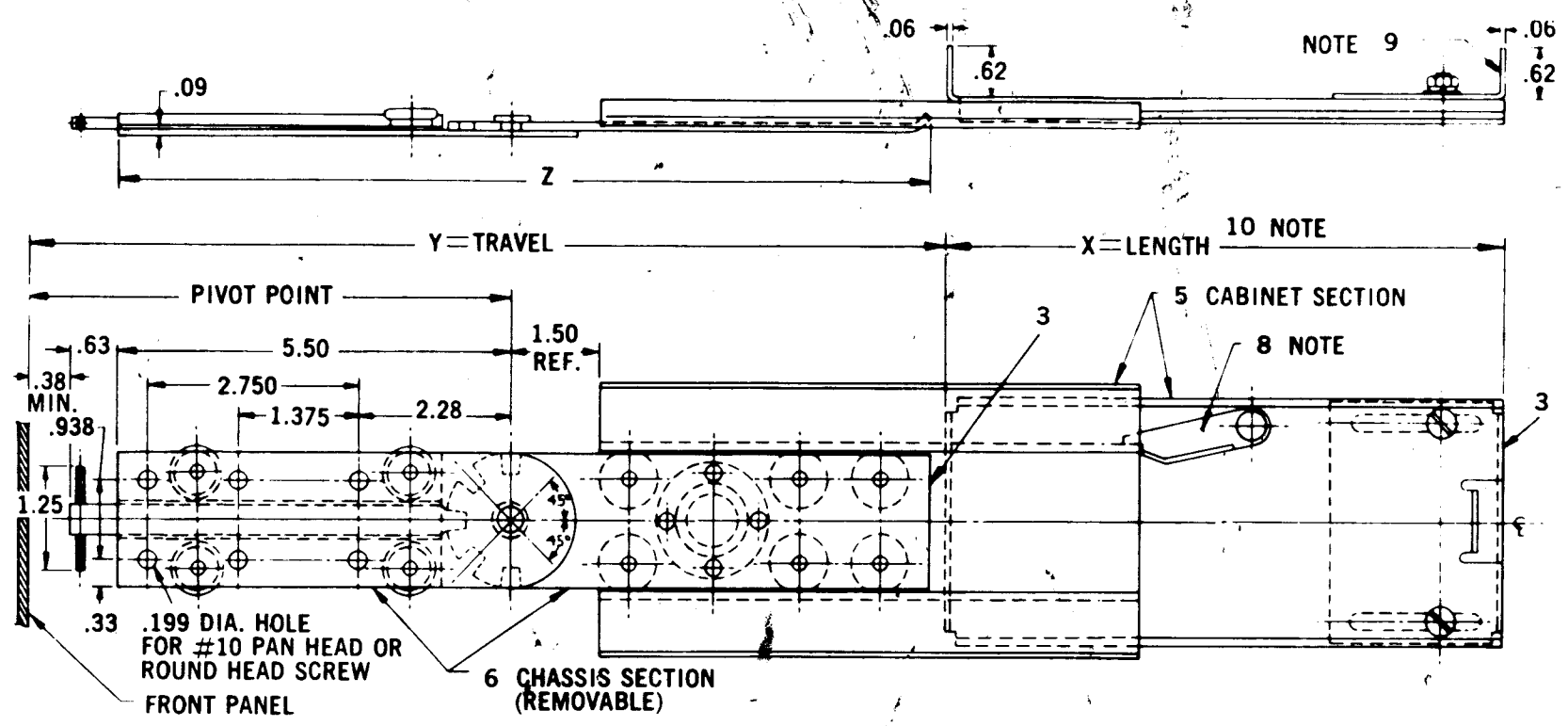


TMC P/N	MFGR P/N	X	Y	Z	PIVOT POINT
TK127-1	110QDP-18-2	18	21	14.50	9.00

REVISIONS						
ZONE	LTR	DESCRIPTION	DATE	E.M.N.NO	DRAFT	CHKD APPD
	X	EXPERIMENTAL RELEASE	3/18/68		C.V.	<i>[Signature]</i>
	Ø	ORIGINAL RELEASE	8/7/69	Ø	CW	<i>[Signature]</i>



SPECIFICATIONS

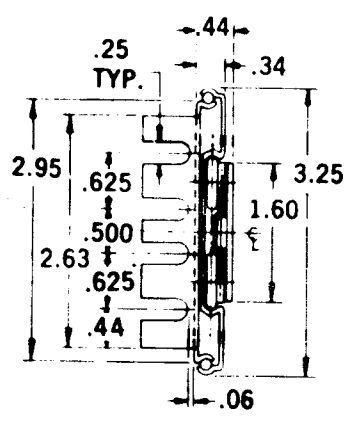
MATERIAL: C1010-C1018 STEEL PER QQ-S-633 AND QQ-S-636

FINISH: CADMIUM PLATE PER QQ-P-416. TYPE II BLEACHED. CLASS 2.

REAR MOUNTING BRACKET HAS ADJUSTMENT FROM X LENGTH OF + 2.00 - .25

SLIDE SHOWN TO BE USED AS LEFT HAND SLIDE, WHEN USED AS RIGHT HAND SLIDE REAR LOCK WILL BE ON BOTTOM SIDE.

CABINET SECTION OR CHASSIS SECTION MAY BE PURCHASED SEPARATELY AND ARE INTERCHANGEABLE.



QTY / UNIT	MODEL USED ON	ASS'Y NO.
	DDR-10 ()	
APPLICATION		
	CODE	
NOTICE TO PERSONS RECEIVING THIS DRAWING THE TECHNICAL MATERIEL CORPORATION claims proprietary right in the material disclosed hereon. This drawing is issued in confidence for engineering information only and may not be reproduced or used to manufacture anything shown hereon without permission from THE TECHNICAL MATERIEL CORPORATION to the user. This drawing is loaned for mutual assistance and is subject to recall at any time.		

UNLESS OTHERWISE SPECIFIED DIMENSIONS ARE IN INCHES AND INCLUDE CHEMICALLY APPLIED OR PLATED FINISHES	FINAL APPROVAL	DATE
DECIMALS .X ± .05 .XX ± .01 .XXX ± .005	MECH. DES.	DATE
FRACTIONS 1/64 ANGLES 0° - 30'	ELECT. DES.	DATE
MATERIAL	CHECKED	DATE
FINISH	DRAWN	DATE
SEE SPECS	CW	3/14/68
SEE SPECS		

REQ'D	ITEM	PART NUMBER	DESCRIPTION	SYM.
		HOGAN	LIST OF MATERIAL	
THE TECHNICAL MATERIEL CORP. MAMARONECK, NEW YORK				
TRACK AND SLIDE SET				
SIZE	CODE IDENT. NO.	DWG NO.	ISSUE	
B	82679	TK 127	Ø	
SCALE	SHEET		OF	