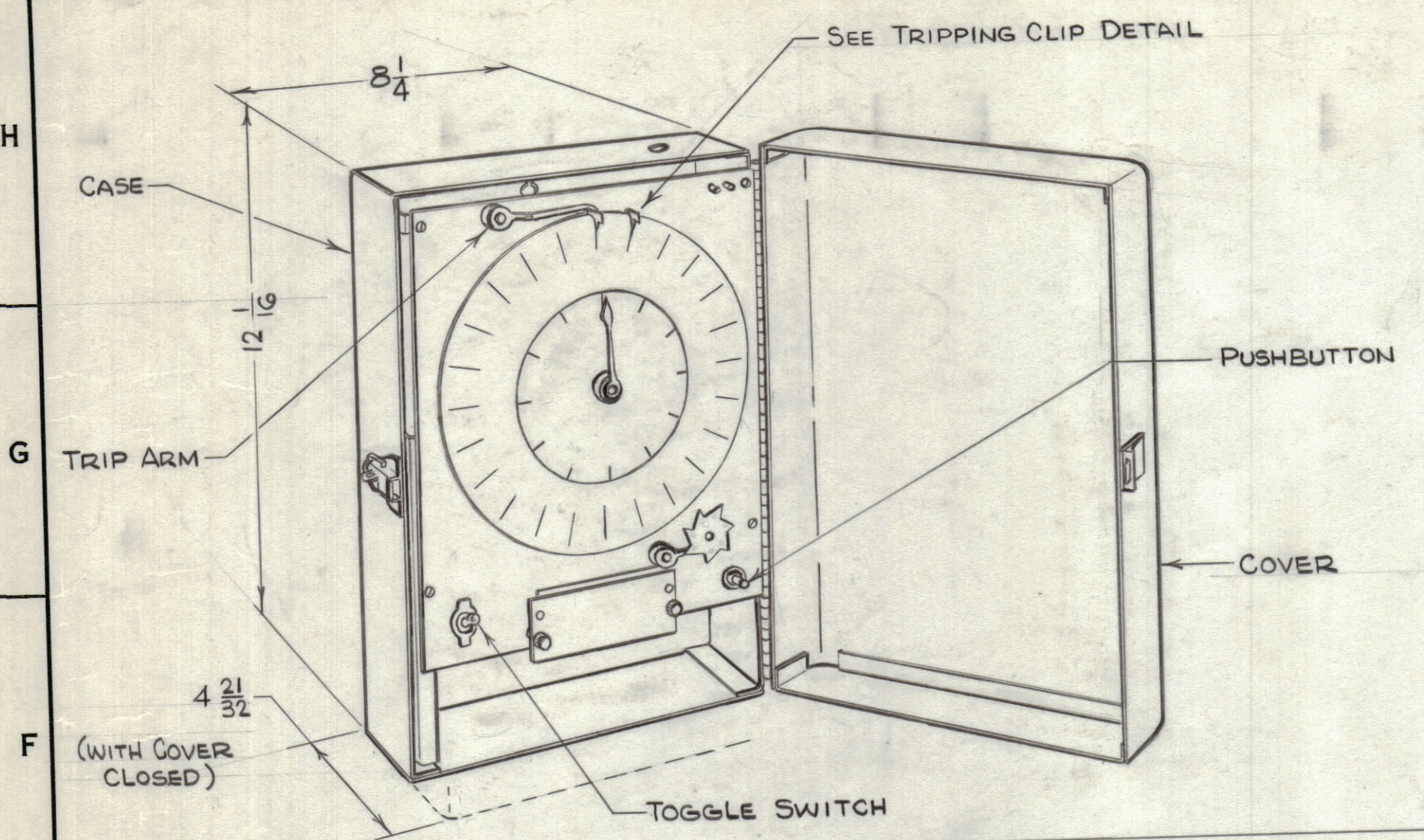
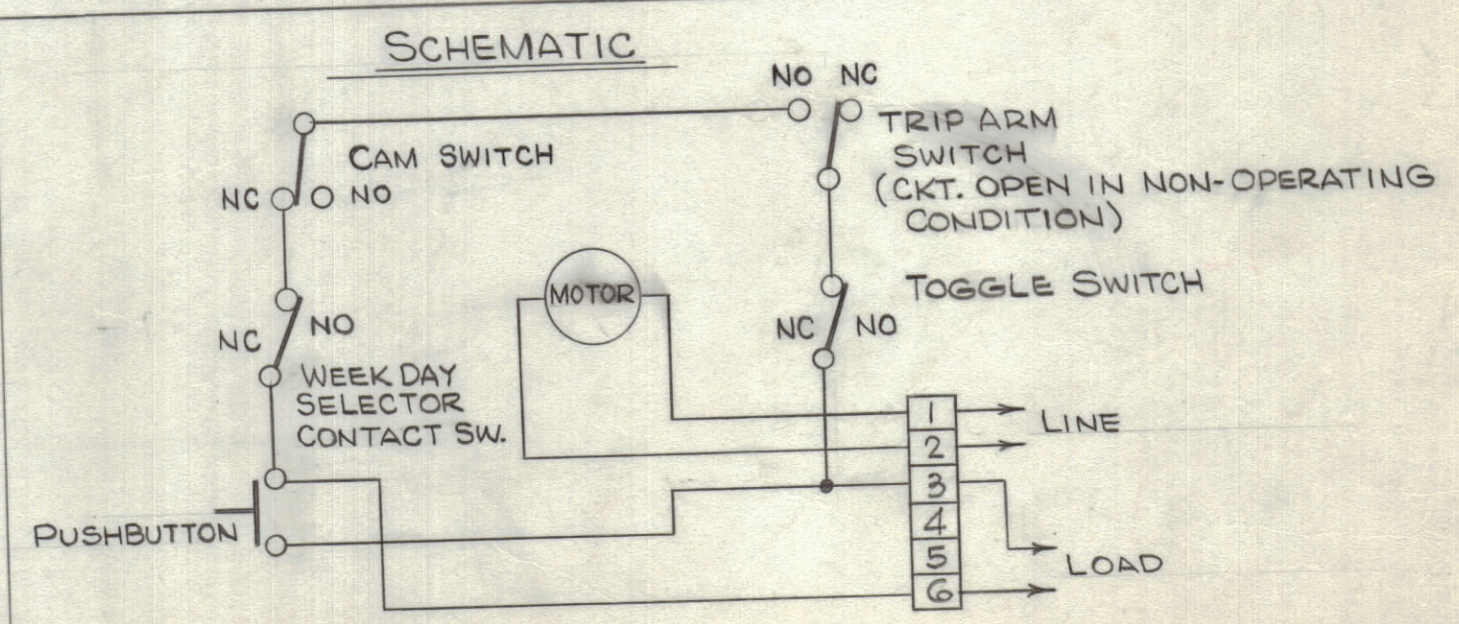
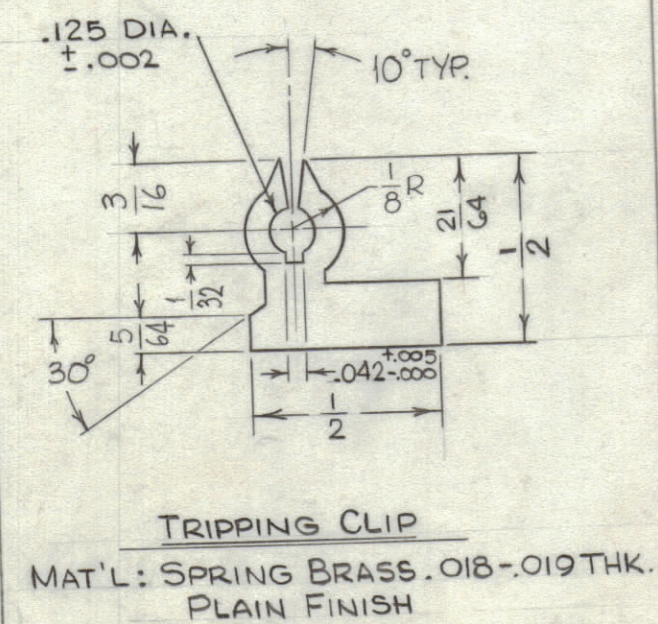
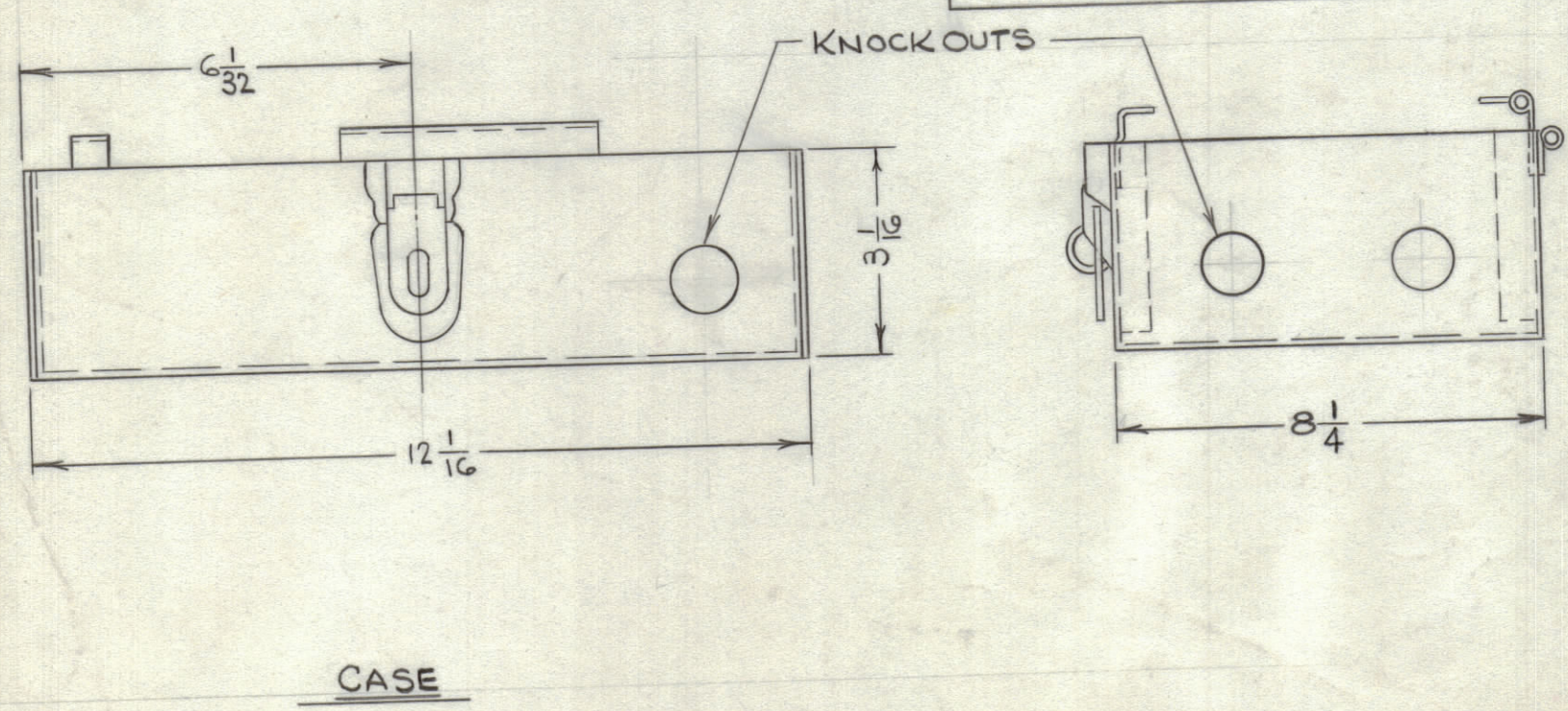
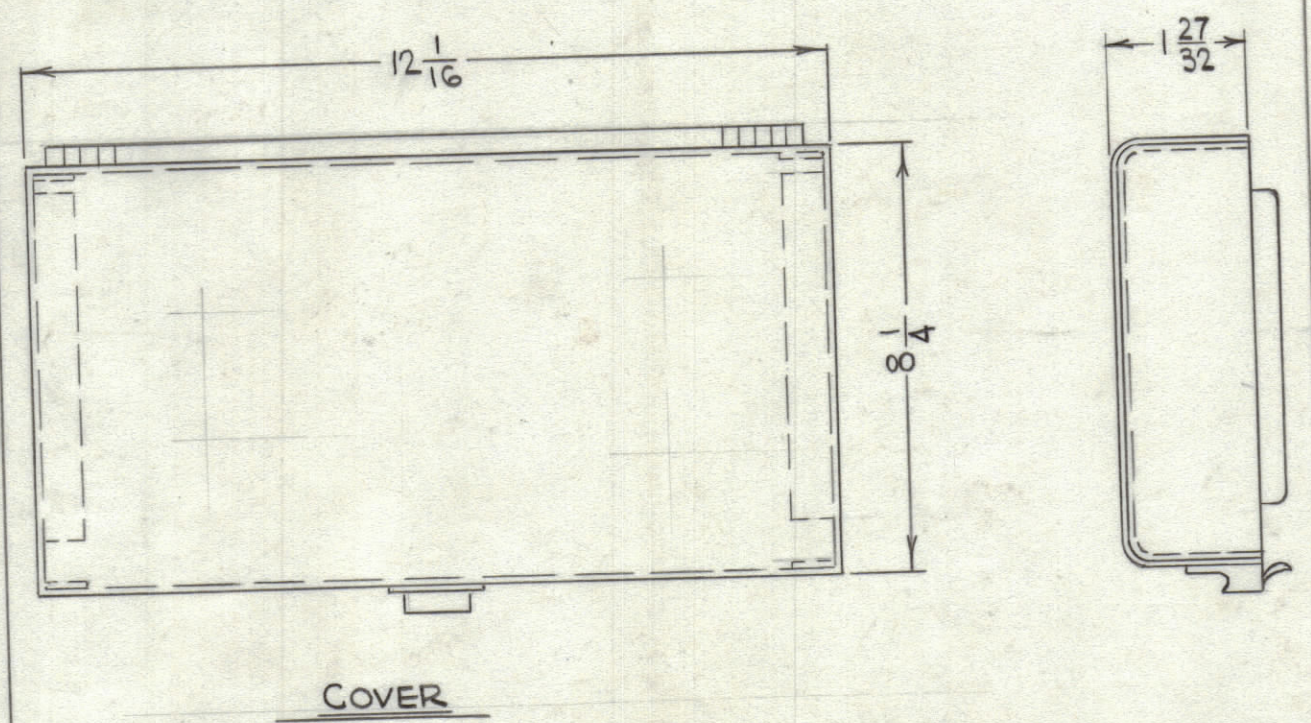
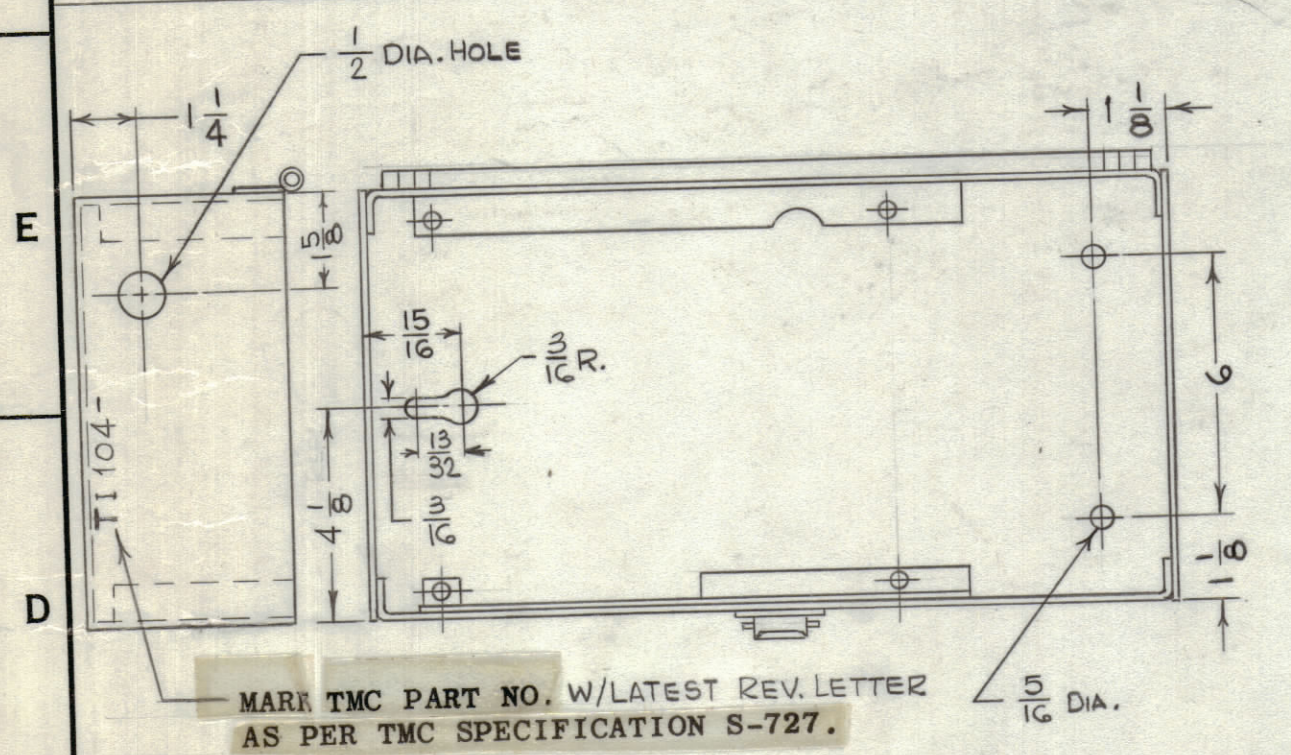


ZONE		SYM	DESCRIPTION	DATE	E.M.N. NO.	DRAFT	CHKD	APPD
			ORIGINAL RELEASE FOR PRODUCTION	6/23/69				



**SPECIFICATIONS**

OPERATING VOLTAGE: 115V 60 CPS  
 CONTACT RATING: 6 AMP @ 115V, 3 AMP @ 230V.  
 CONTACTS: NORMALLY CLOSED  
 DIAL: 24 HRS.  
 MIN. INTERVAL BETWEEN SETTINGS: 5 MINUTES  
 CIRCUIT CLOSURE RANGE: 2-60 SEC.  
 TRIPPING CLIPS: MFG. PART NO. 7H1004



REQ'D.	ITEM	PART NUMBER	DESCRIPTION	SYMBOL
<b>LIST OF MATERIAL</b>				
MATERIAL			<b>THE TECHNICAL MATERIEL CORP.</b> MAMARONECK, NEW YORK	
FINISH			TITLE <b>Box, TIMER</b>	
DRAWN H. AUSTIN		DATE 7-8-65	FINAL APPROVAL <i>[Signature]</i>	
CHECKED JCB		DATE 7-10-65	DATE 6/23/69	
ELECT. DES.		DATE	PART NO. <b>TI 104</b>	
MECH. DES.		DATE	REV. LTR.	
SHEET		1		

1 RTTA-1  
 Q'TY/UNIT MODEL USED ON ASS'Y. NO.  
 SCALE NOT TO SCALE CODE C S401-40(P5-24C)  
 UNLESS OTHERWISE SPECIFIED DIMENSIONS ARE IN INCHES AND INCLUDE CHEMICALLY APPLIED OR PLATED FINISHES  
 DECIMALS .X ± .05 .XX ± .01 .XXX ± .005 TOLERANCES FRACTIONS ± 1/64 ANGLES ± 0° 30'

**NOTES**

THE CONTENTS OF THIS DRAWING ARE THE EXCLUSIVE PROPERTY OF THE TECHNICAL MATERIEL CORP. ITS UNAUTHORIZED USE OR REPRODUCTION IN WHOLE OR IN PART IS STRICTLY FORBIDDEN.

TI 104