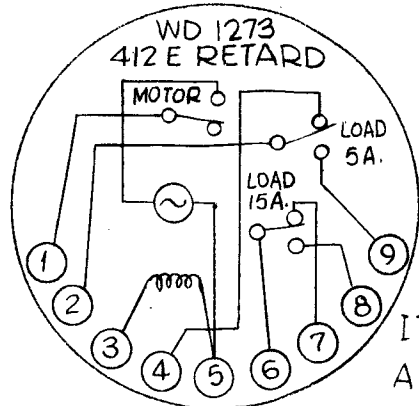


ELECTRIC SPECIFICATIONS

MOTOR ~ 220V AC.
CYCLE ~ 60

SCHEMATIC

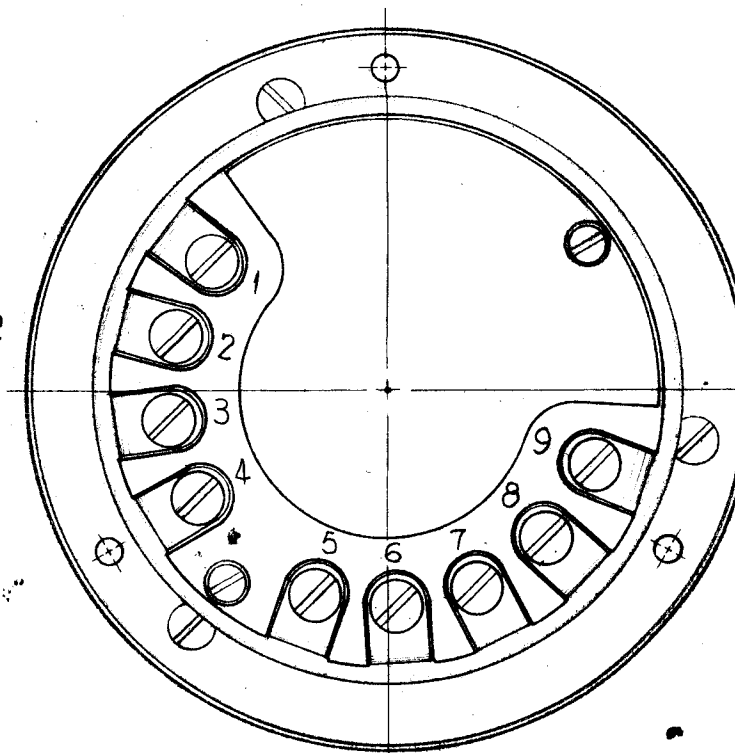
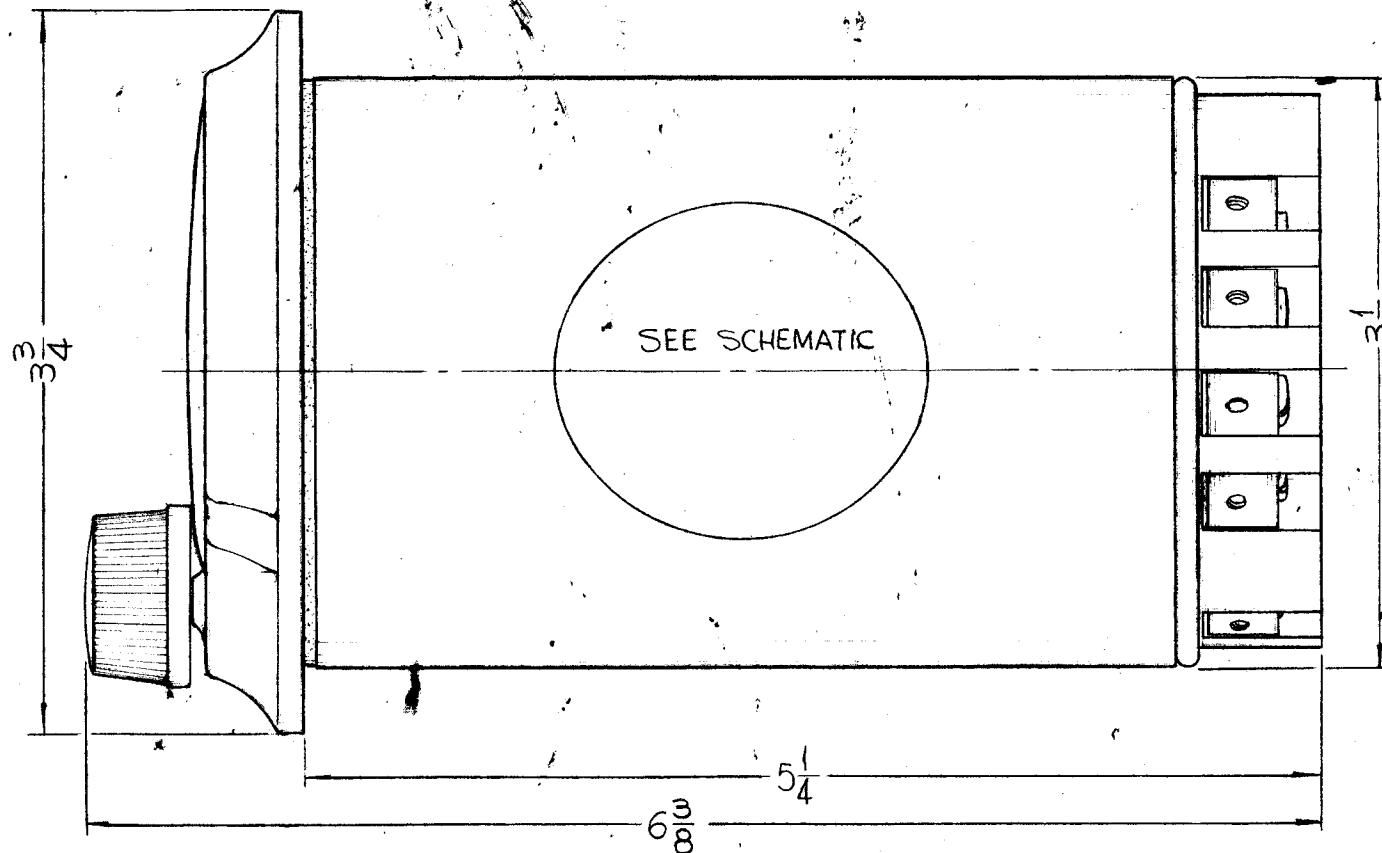
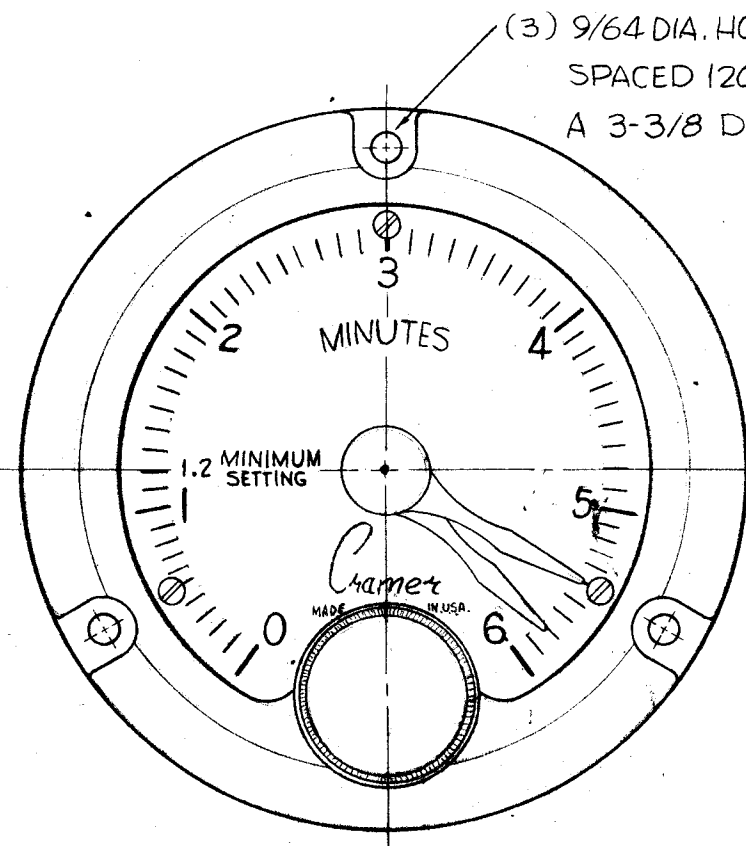


ITTL. NO.
A2211905

TI-103

REVISIONS

| SYM | DESCRIPTION | DATE | E.M.N. NO. | DRAFT | CHKD | APPD |
|-----|-------------|------|------------|-------|------|------|
|-----|-------------|------|------------|-------|------|------|



REF: CRAMER DIV.

| REQ'D. | ITEM | PART NUMBER | DESCRIPTION | SYMBOL |
|--------|------|-------------|-------------|--------|
|--------|------|-------------|-------------|--------|

F. BUDETTI
LIST OF MATERIAL
THE TECHNICAL MATERIEL CORP.
MAMARONECK, NEW YORK

| MATERIAL | | TITLE | |
|---|---|------------------------|---------------------------|
| | | TIMER, 0-6 MINUTES | |
| FINISH | | DRAWN <i>SRG</i> | |
| UNLESS OTHERWISE SPECIFIED DIMENSIONS ARE IN INCHES AND INCLUDE CHEMICALLY APPLIED OR PLATED FINISHES | | DATE 2-21-63 | FINAL APPROVAL <i>RDK</i> |
| TOLERANCES | | CHECKED <i>aa</i> | DATE |
| DECIMALS .X ± .05 .XX ± .01 .XXX ± .005 | FRACTIONS ± 1/64 ANGLES ± 0° 30' | ELECT. DES. <i>COB</i> | DATE 4/2/64 |
| | | MECH. DES. <i>WR</i> | DATE |

| Q'TY./UNIT | MODEL USED ON | ASS'Y. NO. |
|------------|---------------|------------|
| 1 | GPT-200K | AR-138 |
| 1 | GPT-200K | AR-137 |
| SCALE 1=1" | CODE C | S401-46 |

THE CONTENTS OF THIS DRAWING ARE THE EXCLUSIVE PROPERTY OF THE TECHNICAL MATERIEL CORP. ITS UNAUTHORIZED USE OR REPRODUCTION IN WHOLE OR IN PART IS STRICTLY FORBIDDEN.

NOTES

TI-103
SHEET 0
REV. LTR.