

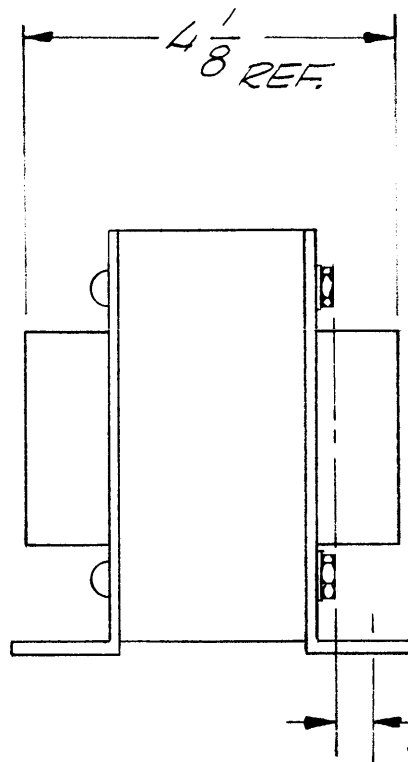
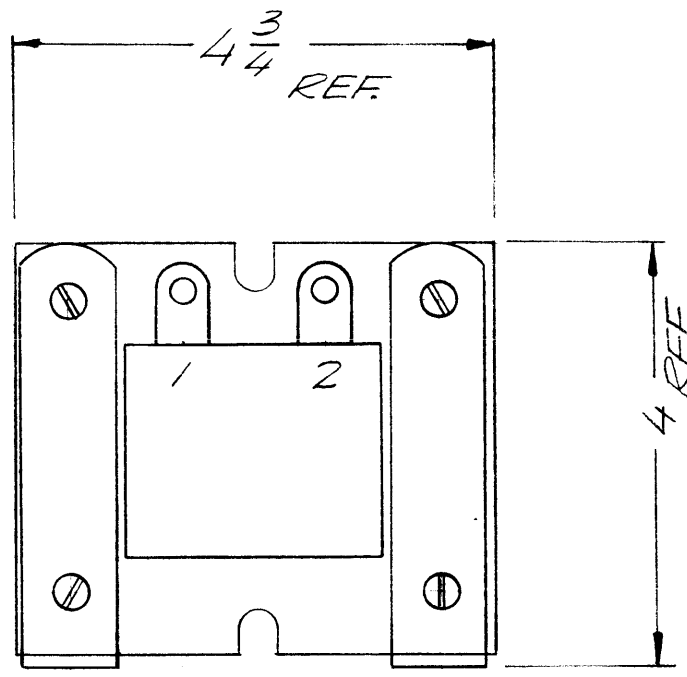
5

4

3

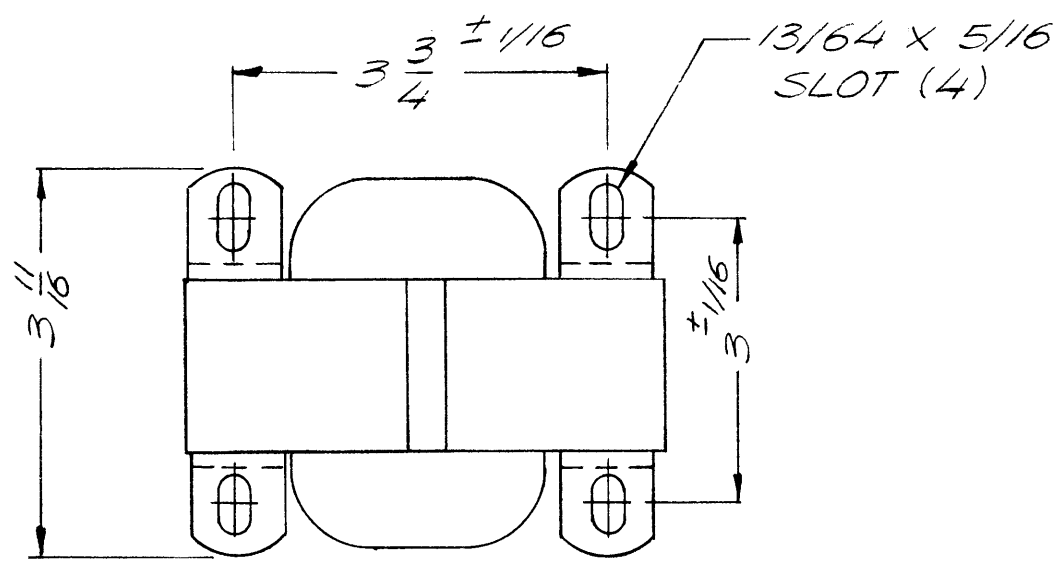
2

1



REVISIONS						
ZONE	LTR	DESCRIPTION	DATE	E.M.N.NO	DRAFT	CHKD APPD
	X	EXP RELEASE	3/17/70		GE	
	Ø	ORIG RELEASE FOR PROD	3/17/70		CV	
	A	ADD 7/32 DIM. FRM. Q. OF MTG. H.	5-5-72	20669	GE	EP EP
	B	.50 ADC WAS 5.0	8-18-80	21826	dw	JK

ELECTRICAL SPECIFICATIONS
 5.0 hy @ .50 ADC
 DC RES = 45 Ω APPROX
 MAX. W.V. = 4000W



TMC TF 5034
 5.0 hy @ .50 ADC

TOF VIEW THIS SIDE ONLY

QTY / UNIT	MODEL USED ON	ASS'Y NO.
1	HFLA 10 K	AP 148
1	PALA 10 K	AP 148

APPLICATION	
CODE	S401-(7751)

NOTICE TO PERSONS RECEIVING THIS DRAWING
 THE TECHNICAL MATERIEL CORPORATION claims proprietary right in the material disclosed hereon. This drawing is issued in confidence for engineering information only and may not be reproduced or used to manufacture anything shown hereon without permission from THE TECHNICAL MATERIEL CORPORATION to the user. This drawing is loaned for mutual assistance and is subject to recall at any time.

UNLESS OTHERWISE SPECIFIED DIMENSIONS ARE IN INCHES AND INCLUDE CHEMICALLY APPLIED OR PLATED FINISHES

DECIMALS	FRACTIONS	TOLS.	ANGLES
.X ± .05	1/64		
.XX ± .01			0° -30'
.XXX ± .005			

MATERIAL
 FINISH

REQ'D	ITEM	PART NUMBER	DESCRIPTION	SYM.
F. BUDETTI LIST OF MATERIAL				
FINAL APPROVAL		DATE	THE TECHNICAL MATERIEL CORP.	
MECH. DES.		DATE	MAMARONECK, NEW YORK	
ELEC. DES.		DATE	REACTOR	
CHECKED		DATE		
DRAWN		DATE		
SIZE	CODE IDENT. NO.	DWG NO.	ISSUE	
B	82679	TF 5034	B	
SCALE NTS			SHEET OF	

5

4

3

2

1