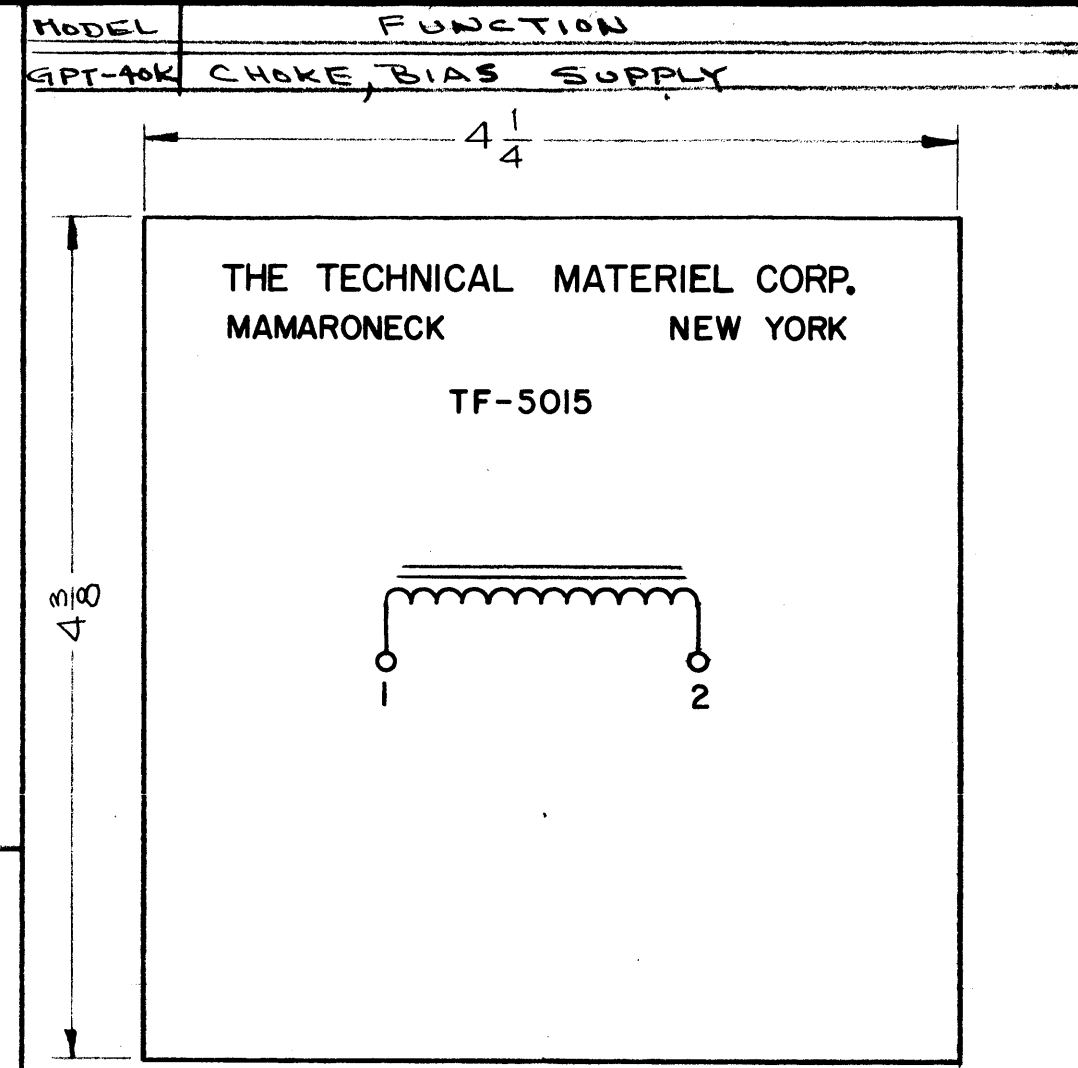
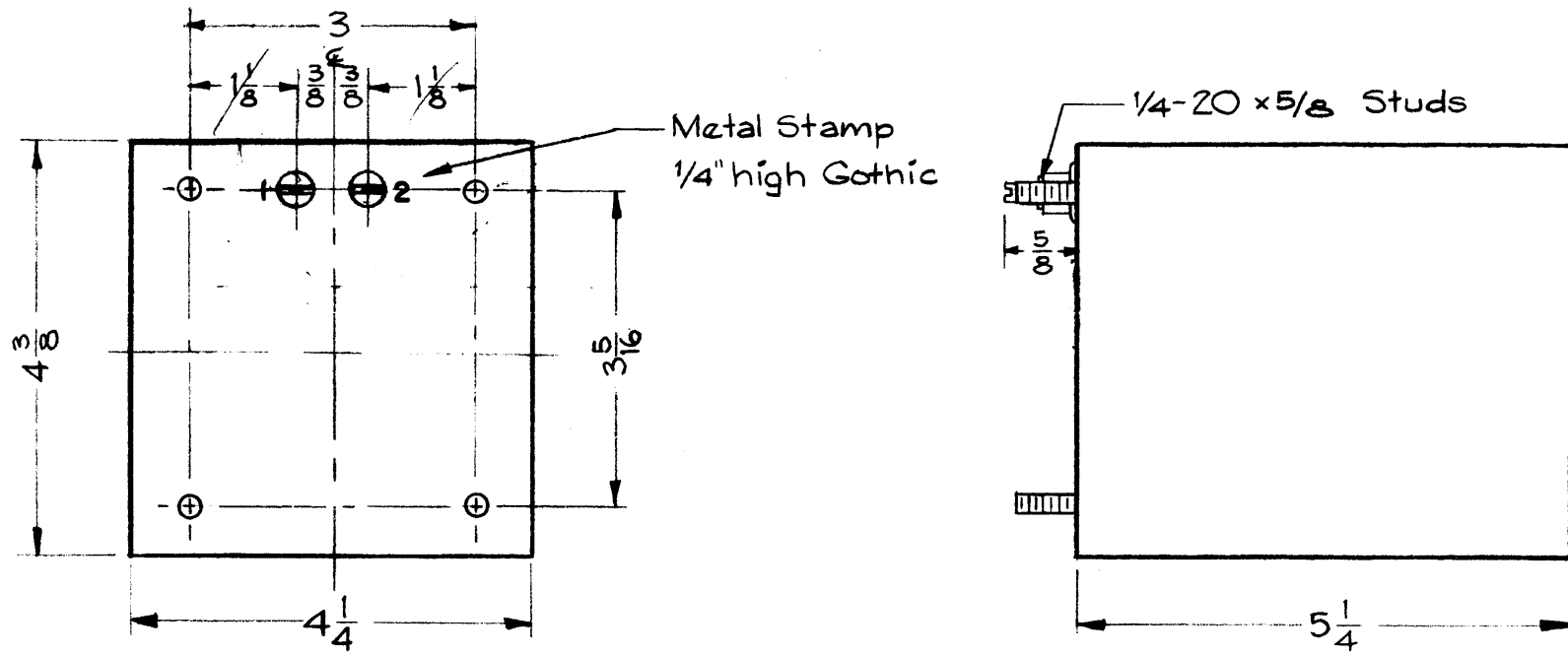


TF-5015 A



NOTE: MANUFACTURED IN ACCORDANCE WITH MIL SPEC T-27-A EXCEPT THAT MIL SPEC T-27-A SHALL NOT APPEAR ON CASE AND QUALIFICATION TESTING IS NOT REQUIRED.

~ ELECTRICAL SPECIFICATION ~  
 Inductance: 7Hy at 400 MA  
 Insulation: 3KV  
 Test Voltage: 2.5 KV

~ MECHANICAL SPECIFICATION ~  
 Case: Rectangular, Steel, MIL Type YY, Hermetically Sealed.  
 Finish: TMC Smooth Gray Enamel (TMCS-115) Except terminal end.  
 Size: 4 1/4 x 4 3/8 x 5 1/4 high, Excluding terminals & studs.  
 Stamping: Terminals shall be metal stamped 1 & 2 as shown. Opposite end shall be stamped in Black as shown. (See Stamping Detail).

Stamping Detail  
 Black Gothic

IS USE ITEM	CHANGED FROM	DATE	CH. NO.	DRAFTS	CHECKER	ENG. APP.
A 1	NOTE ADDED (MIL T-27-A)	6-30-60	2572		JCB	VB
TOLERANCES		SCALE:				
DEC. DIM. ±		MAXIMUM ALLOWABLE TOLERANCES HAVE BEEN DETERMINED AND ANY DEVIATIONS WILL BE CAUSE FOR REJECTION: REMOVE ALL BURRS AND SHARP EDGES				
FRAC. DIM. ±						
ANGULAR DIM. ±						

REQ. PER UNIT	1	MODEL	GPT-40K	PROJECT NO.		ASSY. N.		DATE	12-21-59
USED ON									

REQ. ITEM	PART NO.	DESCRIPTION	SYMBOL
		THE TECHNICAL MATERIEL CORP. MAMARONECK, NEW YORK	
STOCK SIZE		REACTOR, FILTER	
MATERIAL		7 HENRY, 400 MA	
TYPE & TEMPER	HEATTREAT. SPEC.	DRAWN	CHECKED
		12-21-59	
FINISH & SPEC. NO.		ELEC. DES.	MECH. DES. APP.
		TF-5015	A