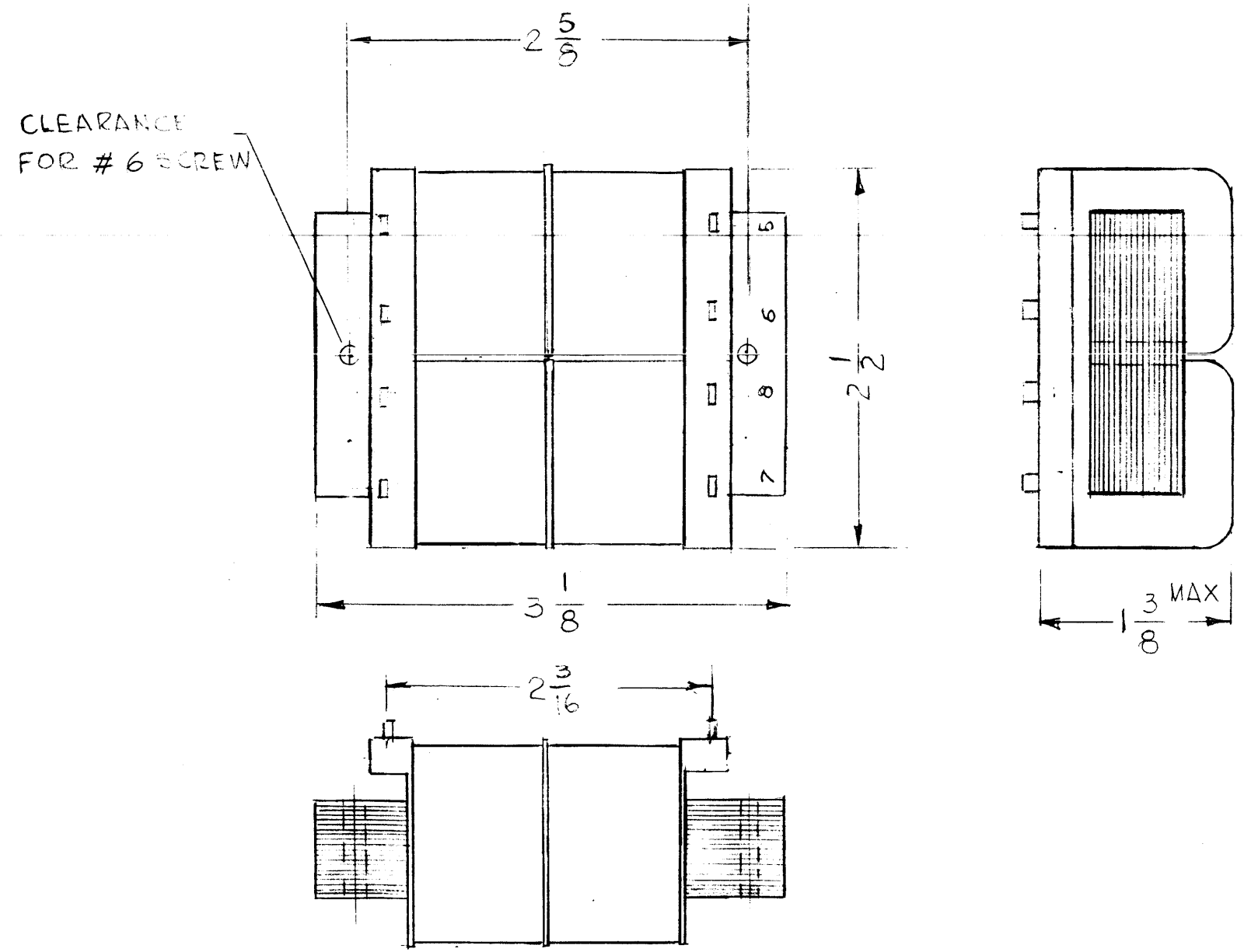
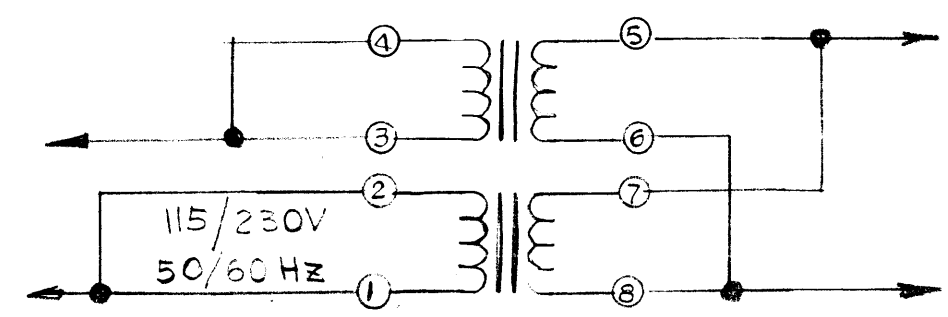


REVISIONS							
E.M.N. NO.	DRAFT	CHKD	ZONE	LTR	DESCRIPTION	DATE	APPROVED
	GDL			Δ	REVISE & UPDATED	8-28-91	



-- ELECTRICAL SPECS --
 PRIMARY 115/230V
 SECONDARY 56V C.T. & 850VA
 PARALLEL WINDING



SCHEMATIC DIAGRAM

REF: SIGNAL CAT. G-8 LP 56-850
 FLATHEAD SCREW SIZE

1	AMC-8	
QTY / UNIT	MODEL USED ON	ASS'Y NO.
APPLICATION		
	CODE	8401 -

NOTICE TO PERSONS RECEIVING THIS DRAWING
 THE TECHNICAL MATERIEL CORPORATION claims proprietary right in the material disclosed hereon. This drawing is issued in confidence for engineering information only and may not be reproduced or used to manufacture anything shown hereon without permission from THE TECHNICAL MATERIEL CORPORATION to the user. This drawing is loaned for mutual assistance and is subject to recall at any time.

UNLESS OTHERWISE SPECIFIED DIMENSIONS ARE IN INCHES AND INCLUDE CHEMICALLY APPLIED OR PLATED FINISHES

DECIMALS .X ± .05 .XX ± .01 .XXX ± .005	FRACTIONS 1/64 ANGLES 0°-30'
MATERIAL	
FINISH	

REQ'D	ITEM	PART NUMBER	DESCRIPTION	SYM.
LIST OF MATERIAL				
THE TECHNICAL MATERIEL CORP. MAMARONECK, NEW YORK				
TRANSFORMER, POWER				
FINAL APPROVAL <i>[Signature]</i>		DATE		
MECH. DES.		DATE		
ELECT. DES.		DATE		
CHECKED		DATE		
DRAWN G.D.L.		DATE 8-27-91		
SIZE	CODE IDENT. NO.	DWG NO.	ISSUE	
B	82679	TF 453	Δ	
SCALE 1:1	SHEET		OF	