

5

4

3

2

REVISIONS

ZONE	LTR	DESCRIPTION	DATE	E.M.N.NO	CHK	APPD
	X	EXP. RELEASE				

SPECIFICATIONS

ELECTRICAL:

PRIMARY WINDING
 VOLTAGE: 115/230 VAC
 FREQUENCY: 50/60 CPS

SECONDARY WINDING
 VOLTAGE: INTO FULL WAVE RECTIFIER 3KVDC .4ADC

PHASE: SINGLE
 INSULATION TEST VOLTAGE: 6000 VRMS

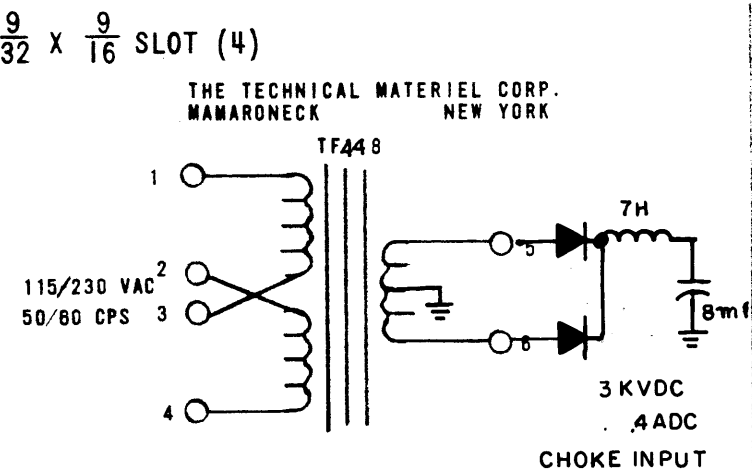
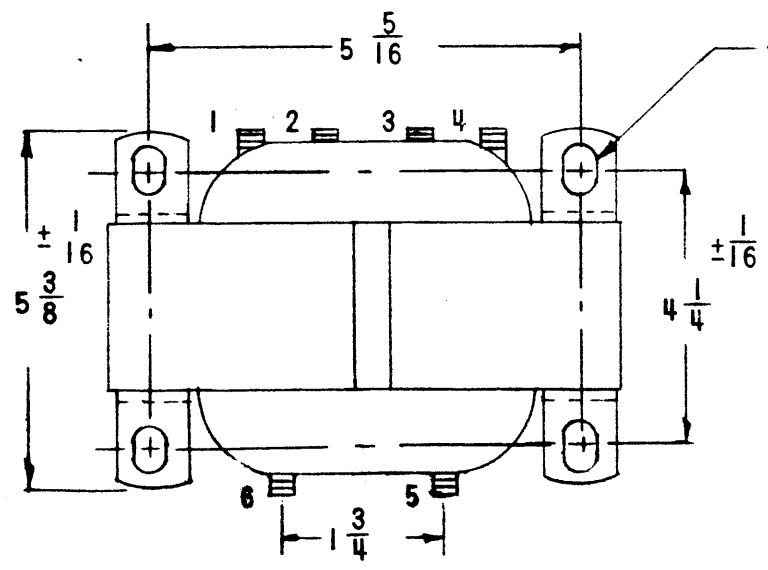
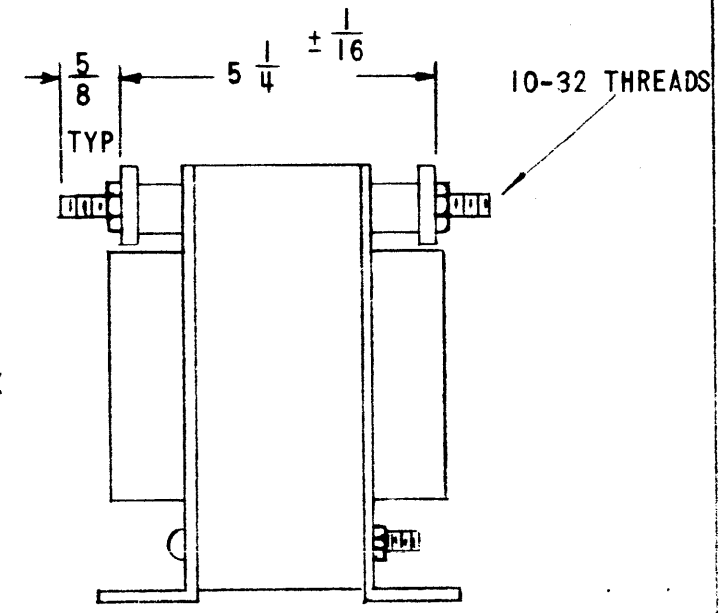
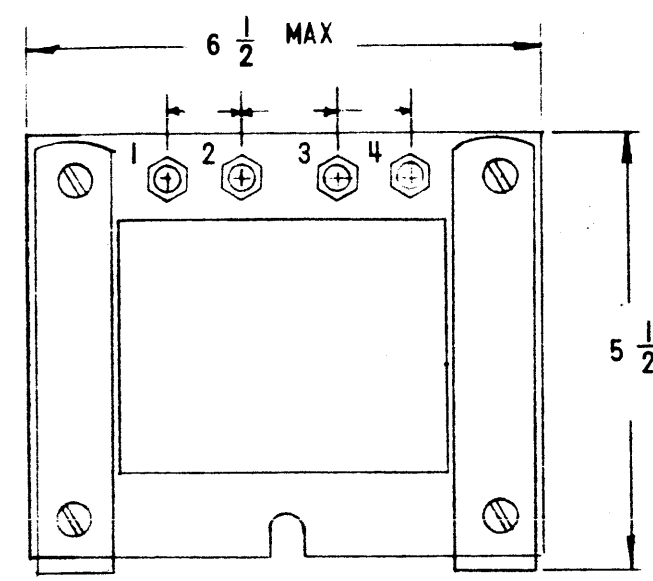
MECHANICAL:

CASE: OPEN FRAME
 FINISH: BLACK MATT
 EXCEPT TERMINALS

DIMENSIONS: SHOWN PICTORIALLY
 TERMINALS: 10-32 THREADS
 TOLERANCE RANGE: ±1/32 UNLESS OTHERWISE SPECIFIED

STAMPING: ACCORDING TO TMC SPEC S727 WHITE GOTHIC LETTERING AND LINE WORK
 SCHEMATIC TO BE PLACED AS SHOWN

NOTE: MANUFACTURED IN ACCORDANCE WITH MIL-SPEC T-27-A, EXCEPT THAT MIL SPEC T-27-A SHALL NOT APPEAR ON CASE AND QUALIFICATION TESTING NOT REQUIRED.



THE TECHNICAL MATERIEL CORP. MAMARONECK NEW YORK

REQ'D	ITEM	PART NUMBER	DESCRIPTION	SYM.
-------	------	-------------	-------------	------

F. BUDETTI LIST OF MATERIAL

FINAL APPROVAL	DATE	THE TECHNICAL MATERIEL CORP. MAMARONECK, NEW YORK
MECH. DES.	DATE	
ELECT. DES.	DATE	
CHECKED	DATE	
DRAWN G.D.L.	DATE 9-5-81	TRANSFORMER, POWER STEP-UP

QTY / UNIT	LPA-5	MODEL USED ON	ASS'Y NO.
APPLICATION			
CODE	S401-30 (BCT#7849)		

NOTICE TO PERSONS RECEIVING THIS DRAWING
 THE TECHNICAL MATERIEL CORPORATION claims proprietary right in the material disclosed hereon. This drawing is issued in confidence for engineering information only and may not be reproduced or used to manufacture anything shown hereon without permission from THE TECHNICAL MATERIEL CORPORATION to the user. This drawing is loaned for mutual assistance and is subject to recall at any time.

UNLESS OTHERWISE SPECIFIED DIMENSIONS ARE IN INCHES AND INCLUDE CHEMICALLY APPLIED OR PLATED FINISHES
DECIMALS .X ± .05 .XX ± .01 .XXX ± .005
FRACTIONS 1/64 TOLS. ANGLES 0° 30'
MATERIAL
FINISH

SIZE B	CODE IDENT. NO. 82679	DWG NO. TF 448	ISSUE X
SCALE	SHEET		OF

4

3

2

1