

5

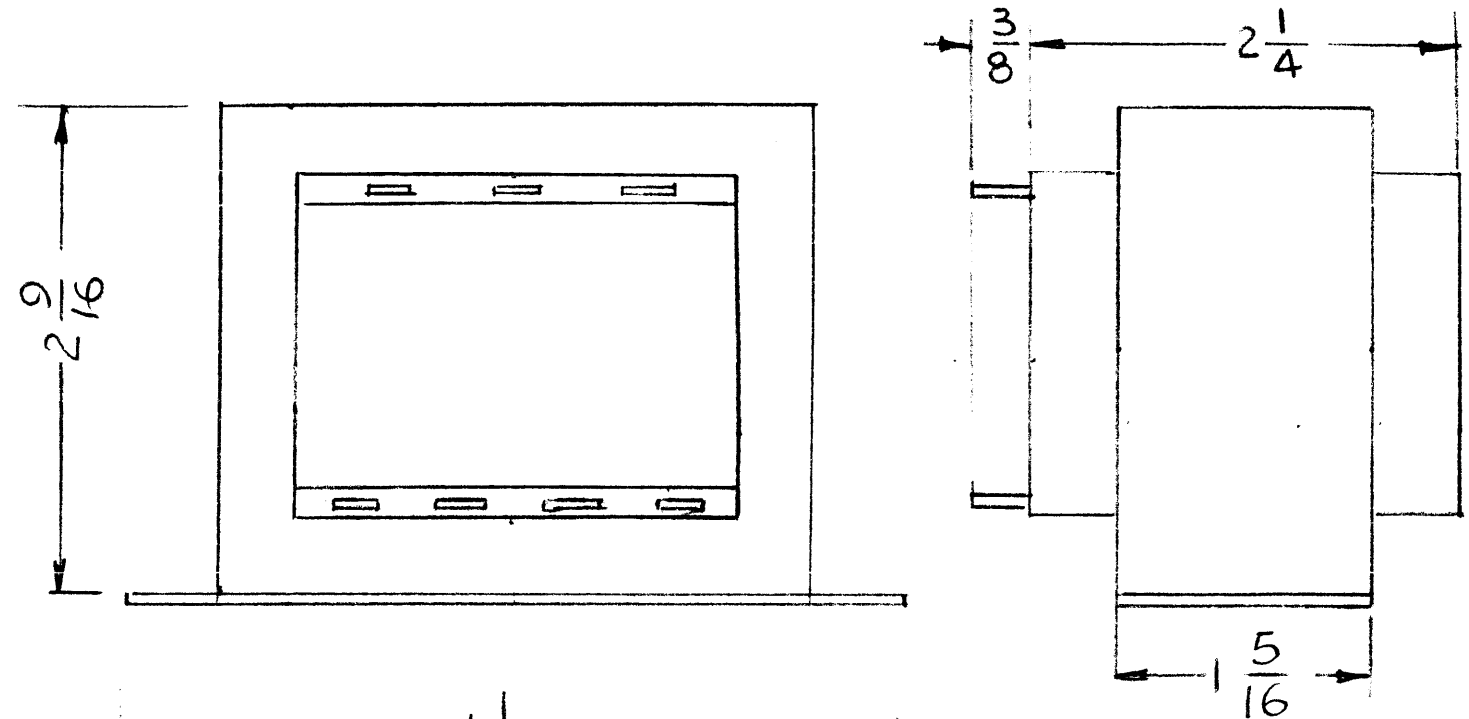
4

3

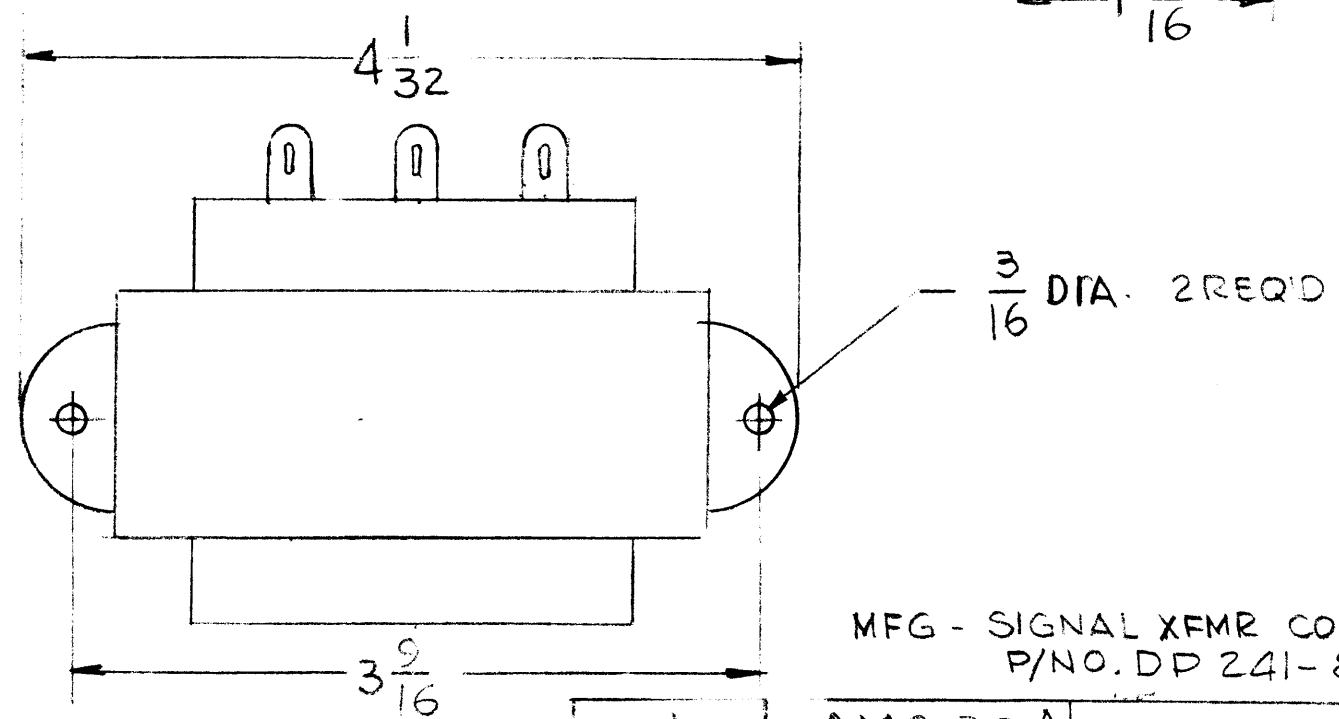
2

1

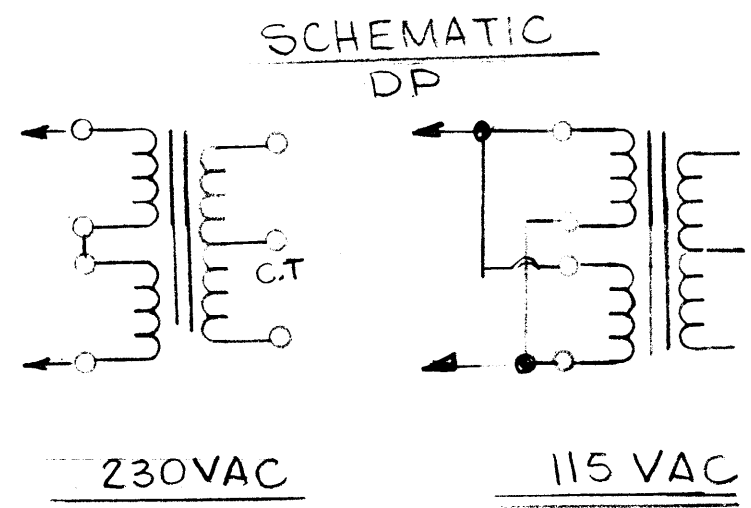
REVISIONS							
E.M.N. NO.	DRAFT	CHKD	ZONE	LTR	DESCRIPTION	DATE	APPROVED
21801	GDL	dw		A	CHANGE FROM 1/4" SIZE DWG TO 1/2" SIZE PICTORIAL ADDED	5-7-80	



SPECIFICATIONS:  
 PRIMARY: 115/230 VAC  
 SECONDARY: 28V C.T. @ 3.6A



MFG - SIGNAL XFMR CO. CAT. G3  
 P/NO. DP 241-8-28



REQ'D	ITEM	PART NUMBER	DESCRIPTION	SYM.		
LIST OF MATERIAL						
<b>THE TECHNICAL MATERIEL CORP.</b> MAMARONECK, NEW YORK						
<b>TRANSFORMER, PWR</b>						
FINAL APPROVAL		DATE	<b>THE TECHNICAL MATERIEL CORP.</b> MAMARONECK, NEW YORK			
MECH. DES.		DATE	<b>TRANSFORMER, PWR</b>			
ELECT. DES.		DATE				
CHECKED		DATE				
DRAWN		DATE	SIZE	CODE IDENT. NO.	DWG NO.	ISSUE
GDL		5-6-80	B	82679	TF 445	A
SCALE 1:1			SHEET		OF	

1	AMC-32A		UNLESS OTHERWISE SPECIFIED DIMENSIONS ARE IN INCHES AND INCLUDE CHEMICALLY APPLIED OR PLATED FINISHES
1	SME-5		
QTY / UNIT	MODEL USED ON	ASS'Y NO.	DECIMALS .X ± .05 .XX ± .01 .XXX ± .005
APPLICATION			FRACTIONS 1/64 ANGLES 0° -30'
CODE			MATERIAL
<b>NOTICE TO PERSONS RECEIVING THIS DRAWING</b> THE TECHNICAL MATERIEL CORPORATION claims proprietary right in the material disclosed hereon. This drawing is issued in confidence for engineering information only and may not be reproduced or used to manufacture anything shown hereon without permission from THE TECHNICAL MATERIEL CORPORATION to the user. This drawing is loaned for mutual assistance and is subject to recall at any time.			FINISH

5

4

3

2

1