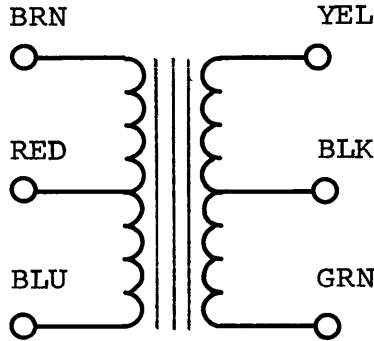


APPLICATION			REVISIONS						
QTY	MODEL USED ON	ASS'Y NO.	LTR	DESCRIPTION	DATE	E.M.N.NO	DRAFT	CHKD	APPD
1	ATSA-3	A4936	0	ORIGINAL RELEASE	4/25/73		CS		



PRI IMP 490 OHM
 SEC IMP 150 OHM
 POWER 150 MW
 MOUNTING CENTERS - 13/16"
 OPEN FRAME CONSTRUCTION

UNLESS OTHERWISE SPECIFIED
DIMENSIONS ARE IN INCHES
AND INCLUDE CHEMICALLY APPLIED
OR PLATED FINISHES

DECIMALS	FRACTIONS
.X ± .05	1/64
.XX ± .01	ANGLES
.XXX ± .005	0° - 30'

REQ'D	ITEM	PART NUMBER	DESCRIPTION	SYM.
LIST OF MATERIAL				
FINAL APPROVAL <i>5003 17</i>			DATE <i>9/7</i>	
MECH. DES.			DATE	
ELECT. DES. <i>BN</i>			DATE	
CHECKED			DATE	
DRAWN			DATE	
MATERIAL			THE TECHNICAL MATERIEL CORP. MAMARONECK, NEW YORK XFMR, INTERSTAGE	
FINISH				
S401-156 (TR-5)				

NOTICE TO PERSONS RECEIVING THIS DRAWING
 THE TECHNICAL MATERIEL CORPORATION claims proprietary right in the material disclosed hereon. This drawing is issued in confidence for engineering information only and may not be reproduced or used to manufacture anything shown hereon without permission from THE TECHNICAL MATERIEL CORPORATION to the user. This drawing is loaned for mutual assistance and is subject to recall at any time.

SIZE A	CODE IDENT. NO. 82679	DWG NO. TF425	ISSUE <i>0</i>
SCALE		SHEET	OF