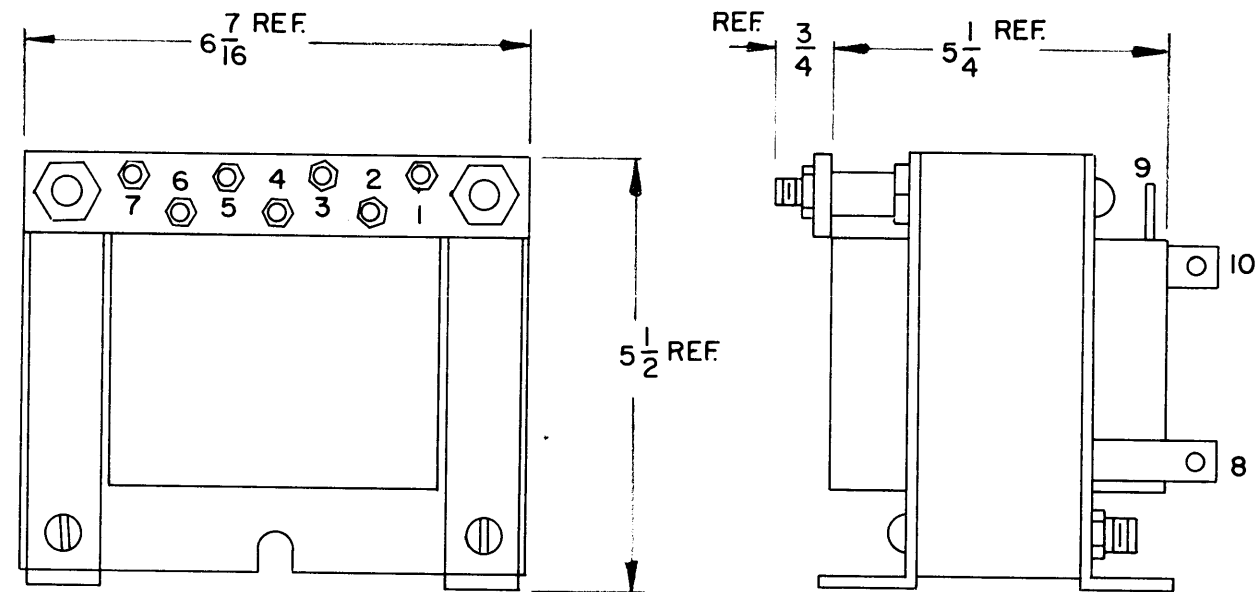


REVISIONS

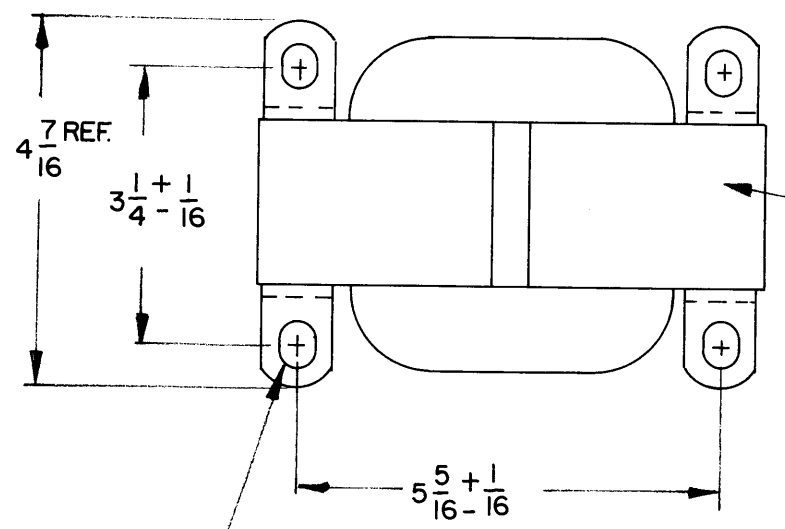
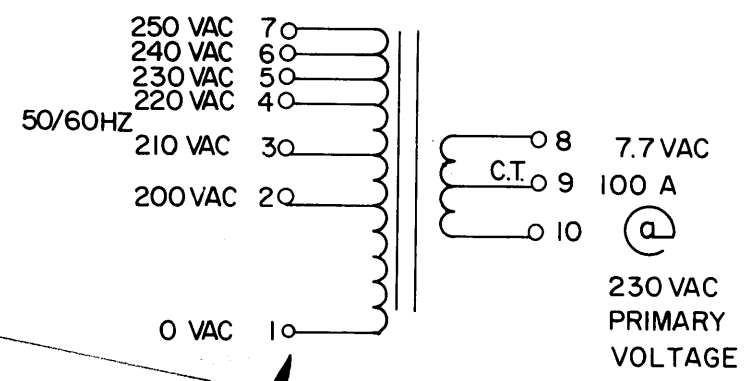
E.M.N. NO.	DRAFT	CHKD	ZONE	LTR	DESCRIPTION	DATE	APPROVED
	GE	ES		Ø	ORIGINAL RELEASE	4/5/72	F.B.



ELECT. SPECS:
 PRIMARY WINDING
 VOLTAGE : 200-250 VAC.
 FREQUENCY : 50-60 HZ
 PHASE : SINGLE
 SECONDARY WINDING
 VOLTAGE : 7.7 VAC C.T. @ 230 V PRI.
 CURRENT : 100 A
 INSULATION TEST VOLTAGE : 1500 VRMS

MECH. SPECS:
 CASE : OPEN FRAME
 FINISH : BLACK MATT EXCEPT TERMINALS
 DIMENSIONS : SHOWN PICTORALLY
 TERMINALS : PRIMARY 10-32 THREADED STUD
 SECONDARY : 8+10, COPPER BAR WITH 3/16 DIA. HOLES
 9, SOLDER TYPE LUG

THE TECHNICAL MATERIEL CORP
 MAMARONECK NEW YORK
 TF 421



TO BE PLACED IN THIS AREA

STAMPING:
 ACCORDING TO TMC SPEC 5727 WHITE GOTHIC LETTERING & LINE WORK.
 SCHEMATIC TO BE PLACED AS SHOWN

NOTE:
 MANUFACTURED IN ACCORDANCE WITH MIL-SPEC. T-27-A, EXCEPT THAT MIL-SPEC. T-27-A SHALL NOT APPEAR ON THE CASE & QUALIFICATION TESTING NOT REQUIRED

REPLACES TF 383

QTY / UNIT	MODEL USED ON	ASS'Y NO.
1	HFLA-10K	AP148
APPLICATION		
	CODE	5401-30

NOTICE TO PERSONS RECEIVING THIS DRAWING
 THE TECHNICAL MATERIEL CORPORATION claims proprietary right in the material disclosed hereon. This drawing is issued in confidence for engineering information only and may not be reproduced or used to manufacture anything shown hereon without permission from THE TECHNICAL MATERIEL CORPORATION to the user. This drawing is loaned for mutual assistance and is subject to recall at any time.

REQ'D	ITEM	PART NUMBER	DESCRIPTION	SYM.
LIST OF MATERIAL				

UNLESS OTHERWISE SPECIFIED DIMENSIONS ARE IN INCHES AND INCLUDE CHEMICALLY APPLIED OR PLATED FINISHES	FINAL APPROVAL F.B.	DATE 4/5/72
DECIMALS .X ± .05 .XX ± .01 .XXX ± .005	FRACTIONS 1/64 ANGLES 0°-30°	TOLS.
MATERIAL	ELECT. DES.	DATE
FINISH	CHECKED	DATE
	DRAWN GE	DATE 3/27/72

THE TECHNICAL MATERIEL CORP. MAMARONECK, NEW YORK			
TRANSFORMER, FILAMENT			
SIZE B	CODE IDENT. NO. 82679	DWG NO. TF 421	ISSUE Ø

SCALE NTS SHEET 1 OF 1