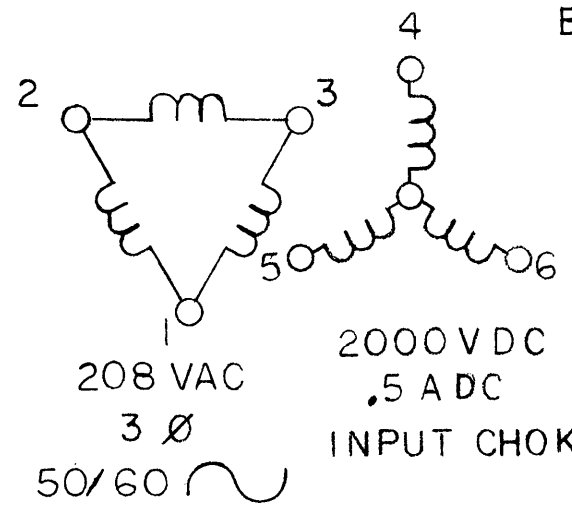
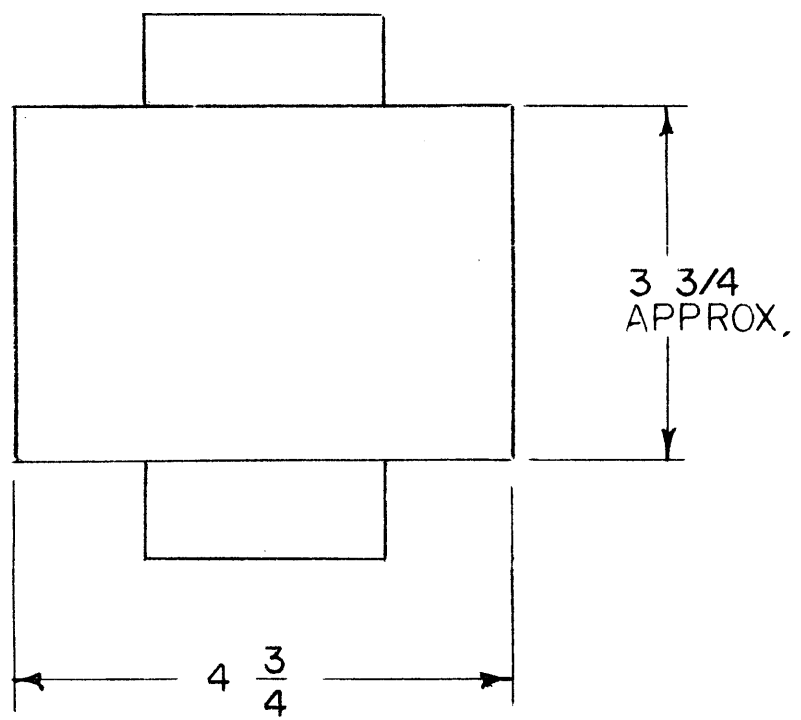
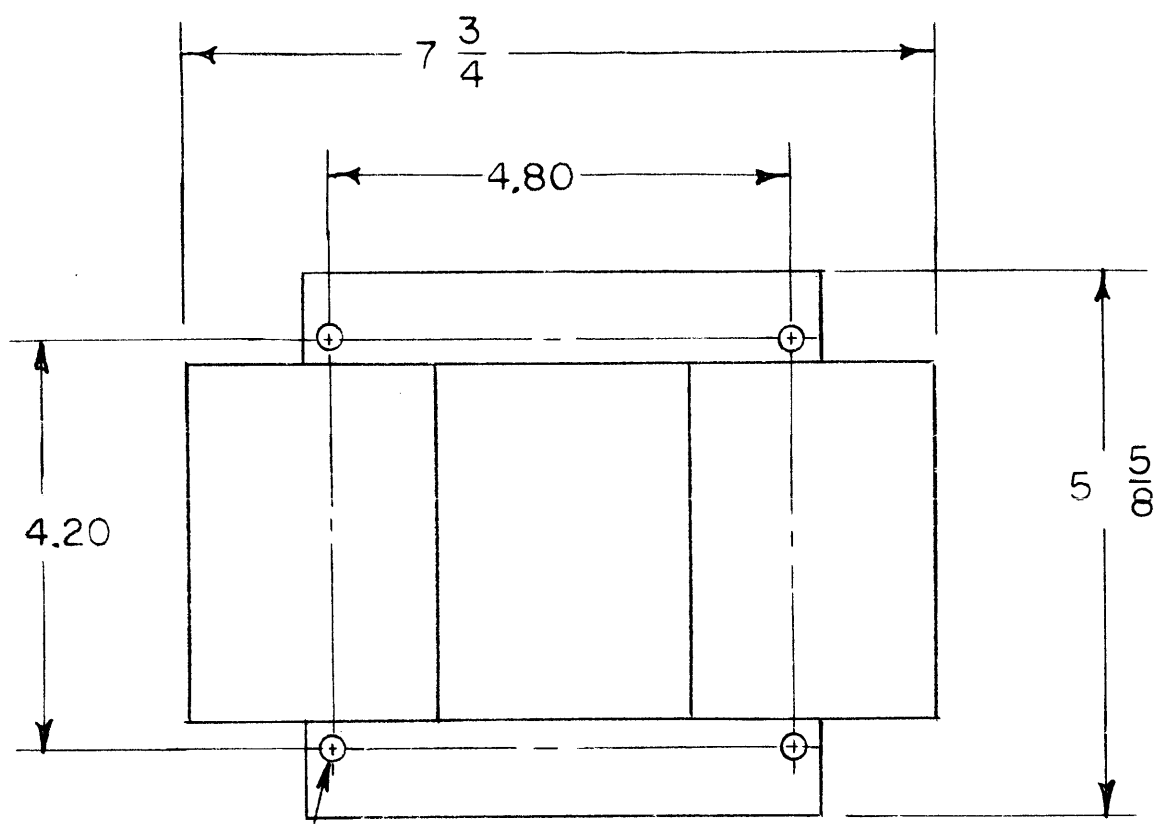


REVISIONS							
ZONE	LTR	DESCRIPTION	DATE	E.M.N.NO	DRAFT	CHKD	APPD
	X	EXP RELEASE	3-29-71		RF		
	Ø	ORIG RELEASE FOR PROD	4/1/71		CV		<i>JEB</i>



208 VAC
3 Ø
50/60

2000 VDC
.5 A DC
INPUT CHOKE CONN.

1	BCT-10K	
QTY / UNIT	MODEL USED ON	ASS'Y NO.
APPLICATION		
	CODE	S40I-30 (9220)

NOTICE TO PERSONS RECEIVING THIS DRAWING
 THE TECHNICAL MATERIEL CORPORATION claims proprietary right in the material disclosed hereon. This drawing is issued in confidence for engineering information only and may not be reproduced or used to manufacture anything shown hereon without permission from THE TECHNICAL MATERIEL CORPORATION to the user. This drawing is loaned for mutual assistance and is subject to recall at any time.

UNLESS OTHERWISE SPECIFIED DIMENSIONS ARE IN INCHES AND INCLUDE CHEMICALLY APPLIED OR PLATED FINISHES	
DECIMALS .X ± .05 .XX ± .01 .XXX ± .005	FRACTIONS 1/64 ANGLES 0° -30'
MATERIAL	
FINISH	

REQ'D	ITEM	PART NUMBER	DESCRIPTION	SYM.
		F. BUDETTI	LIST OF MATERIAL	
FINAL APPROVAL <i>[Signature]</i> DATE 3/29/71 MECH. DES. A VC DATE 3/29/71 ELECT. DES. DATE CHECKED DATE DRAWN <i>R. Forlano</i> DATE 3-29-71				
THE TECHNICAL MATERIEL CORP. MAMARONECK, NEW YORK				
OUTLINE DRAWING TRANSFORMER				
SIZE	CODE IDENT. NO.	DWG NO.	ISSUE	
B	82679	TF-412	Ø	
SCALE 1/2			SHEET 1 OF 1	