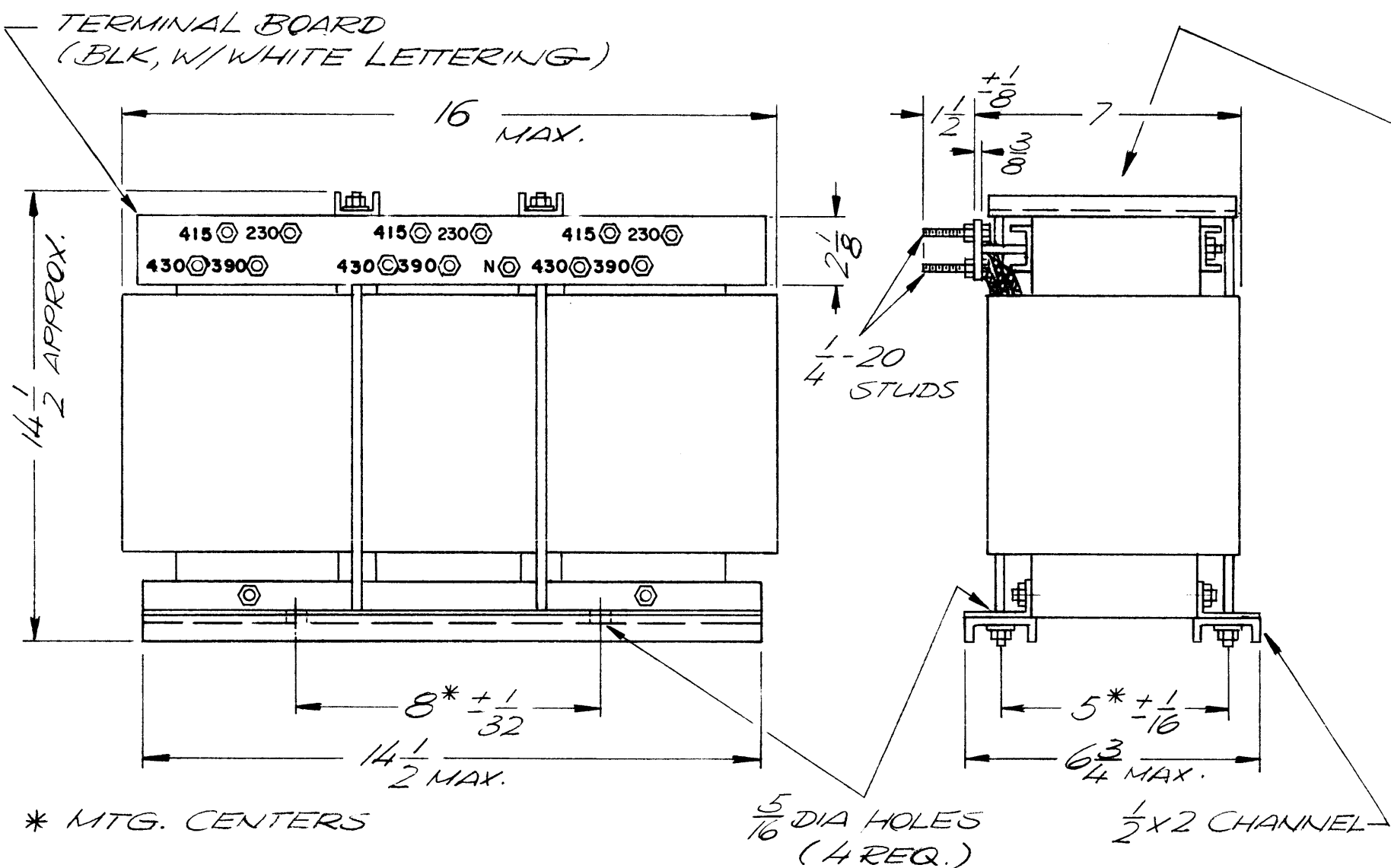
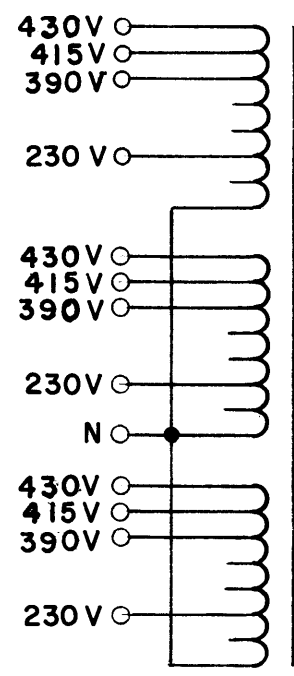


REVISIONS						
ZONE	LTR	DESCRIPTION	DATE	E.M.N.NO	DRAFT	CHKD APPD
	X1	REDRAWN + CHANGES	5/21/70		KLL	R-5
	0	ORIG RELEASE FOR PROD	6/1/70		CV	
	A	VOLTAGE TO TAPS 430, 415, 390 WAS 390, 380, & 370	7-26-77	21563	G.D.L.	WFB *



THE TECHNICAL MATERIEL CORPORATION  
MAMARONECK NEW YORK

TF 410



SCHEMATIC - TO BE STAMPED ON XFMR, IN WHITE.

**SPECIFICATIONS:**

- WINDING DATA:
1. INPUT: 430, 415, 390 VAC, 50/60 Hz, 3 PH.
  2. OUTPUT VOLTAGE: 230 V AC, NEUTRAL.
  3. OUTPUT CURRENT RATING: 70 AMP RMS.
  4. BREAKDOWN TEST VOLTAGE 2000 VAC.
  5. CASE - OPEN FRAME.
  6. FINISH - S115 SMOOTH GREY ENAMEL EXCEPT TERMINAL BOARD & TERMINALS.
  7. TERMINAL BOARD 3/8" THICK.

NOTE:  
MFG - IN ACCORDANCE WITH/MIL - T-27A EXCEPT MIL - 7-27A SHALL NOT APPEAR ON CASE AND QUALIFICATION TESTING IS NOT REQUIRED.

1	HFLM 10K	
QTY / UNIT	MODEL USED ON	ASS'Y NO.
APPLICATION		
	CODE C	5401-30
NOTICE TO PERSONS RECEIVING THIS DRAWING THE TECHNICAL MATERIEL CORPORATION claims proprietary right in the material disclosed hereon. This drawing is issued in confidence for engineering information only and may not be reproduced or used to manufacture anything shown hereon without permission from THE TECHNICAL MATERIEL CORPORATION to the user. This drawing is loaned for mutual assistance and is subject to recall at any time.		

UNLESS OTHERWISE SPECIFIED DIMENSIONS ARE IN INCHES AND INCLUDE CHEMICALLY APPLIED OR PLATED FINISHES	
DECIMALS .X ± .05 .XX ± .01 .XXX ± .005	FRACTIONS 1/64 ANGLES 0° .30'
MATERIAL SEE SPECS	FINISH SEE SPECS

REQ'D	ITEM	PART NUMBER	DESCRIPTION	SYM.
F. BUDETT LIST OF MATERIAL				
THE TECHNICAL MATERIEL CORP. MAMARONECK, NEW YORK				
ALTO TRANSFORMER				
SIZE	CODE IDENT. NO.	DWG NO.	ISSUE	
B	82679	TF 410	A	
SCALE NONE			SHEET OF	