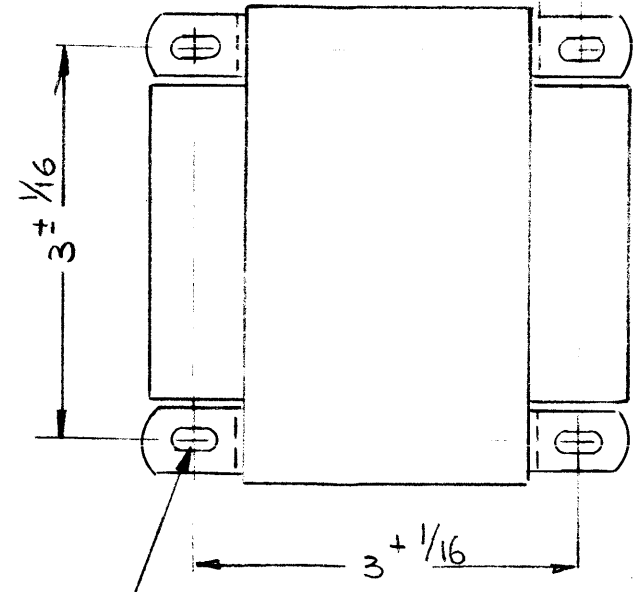
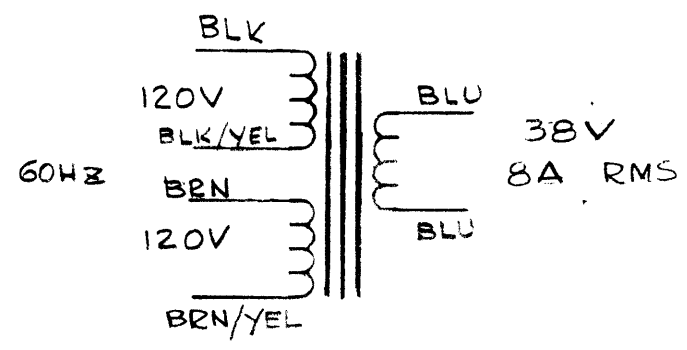
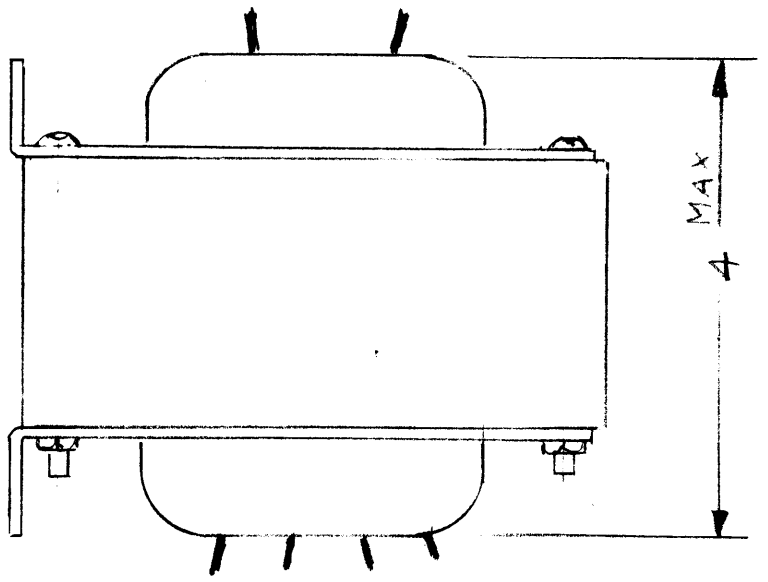
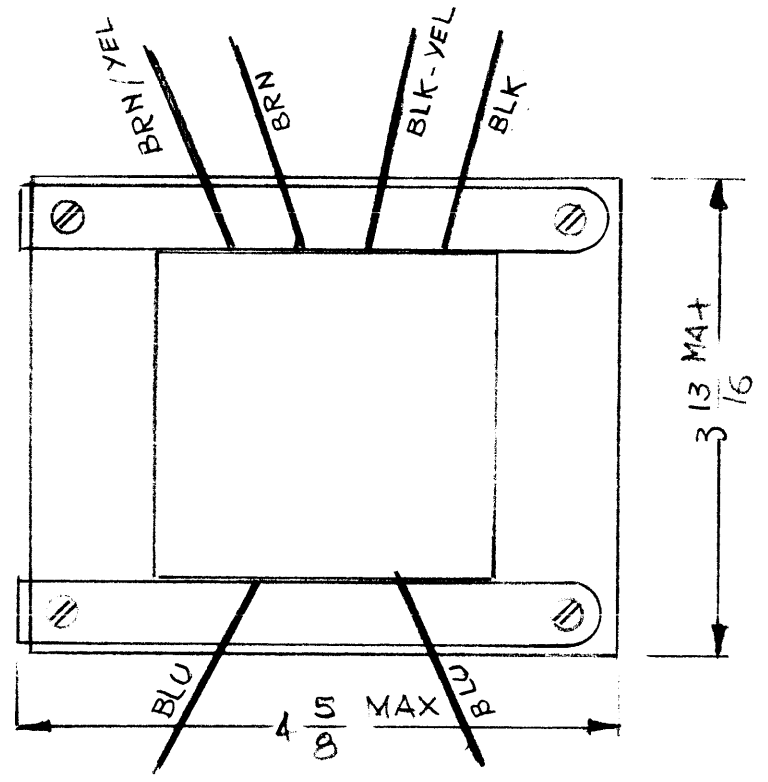


REVISIONS							
E.M.N. NO.	DRAFT	CHKD	ZONE	LTR	DESCRIPTION	DATE	APPROVED
	GDL			Ø	ORIGINAL RELEASE FOR PROD.	5-21-90	

LEADS 12" LONG



13/64 x 5/16 SLOT
4 REQ'D



SCHEMATIC

MFG. BERKSHIRE TRANSFORMER
DWG NO. BTL 10374

QTY / UNIT	STANDARD	MODEL USED ON	ASS'Y NO.
APPLICATION			
CODE			

NOTICE TO PERSONS RECEIVING THIS DRAWING
THE TECHNICAL MATERIEL CORPORATION claims proprietary right in the material disclosed hereon. This drawing is issued in confidence for engineering information only and may not be reproduced or used to manufacture anything shown hereon without permission from THE TECHNICAL MATERIEL CORPORATION to the user. This drawing is loaned for mutual assistance and is subject to recall at any time.

UNLESS OTHERWISE SPECIFIED DIMENSIONS ARE IN INCHES AND INCLUDE CHEMICALLY APPLIED OR PLATED FINISHES	
DECIMALS .X ± .05 .XX ± .01 .XXX ± .005	FRACTIONS 1/64 ANGLES 0° - 30'
MATERIAL	
FINISH	

REQ'D	ITEM	PART NUMBER	DESCRIPTION	SYM.
LIST OF MATERIAL				
THE TECHNICAL MATERIEL CORP. MAMARONECK, NEW YORK				
TRANSFORMER STEP DOWN				
SIZE	CODE IDENT. NO.	DWG NO.	ISSUE	
B	82679	TF 406	Ø	
SCALE	SHEET			OF