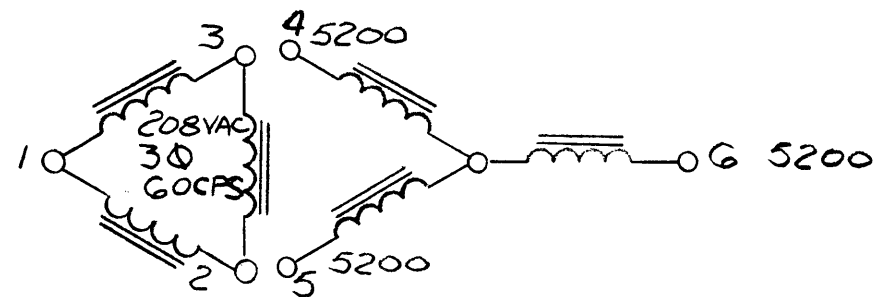


THE TECHNICAL MATERIEL CORPORATION
MAMARONECK NEW YORK
TF 373



REVISIONS						
ZONE	LTR	DESCRIPTION	DATE	E.M.N.NO	DRAFT	CHKD APPD
	X	EXP. RELEASE	2-12-68			
	Ø	ORIG. RELEASE FOR PROD.	5-29-68		R.G.	

SPECIFICATIONS:

ELECTRICAL

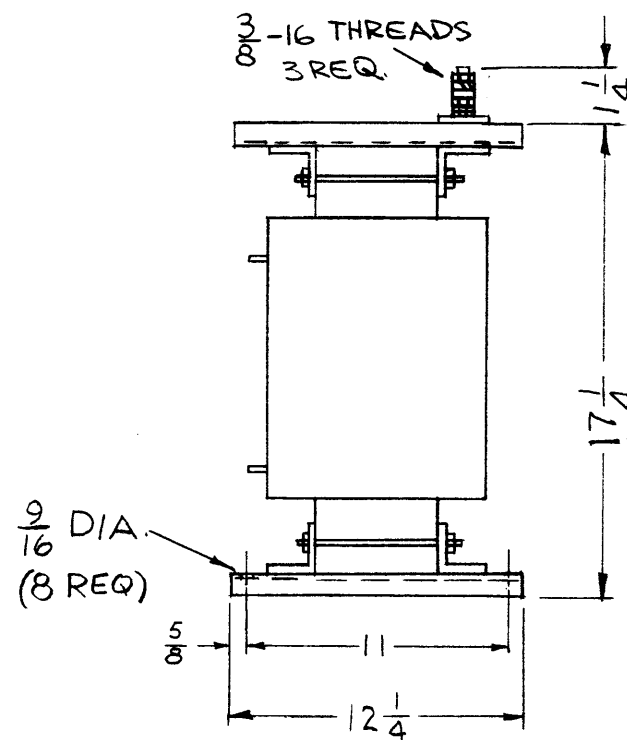
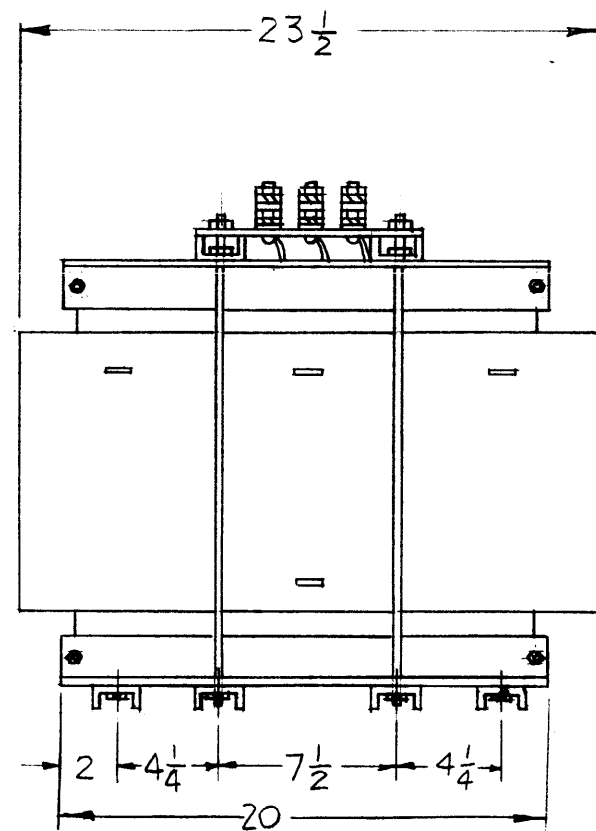
PRIMARY - 208 VAC
PHASE - 3, 60 CPS
VOLTAGE - 12KV.D.C.
CURRENT - 4 AMPS

MECHANICAL

CASE - OPEN FRAME
FINISH - S115 SMOOTH GRAY ENAMEL
EXCEPT TERMINALS
DIMENSIONS - SHOWN PICTORIALY
TERMINALS - THREADS
TOLERANCE RANGE $\pm 1/32$

STAMPING

ACCORDING TO TMC SPEC S-727
TERMINALS - SHALL BE STAMPED, WHITE
SCHEMATIC - TO BE PLACED AS SHOWN
BLACK GOTHIC LETTERING AND
LINEWORK



NOTES:

MFG. IN ACCORDANCE WITH/MIL-T-27A
EXCEPT MIL-T-27A SHALL NOT APPEAR ON
CASE AND QUALIFICATION TESTING
IS NOT REQUIRED

1	GPT-40KEL	
QTY / UNIT	MODEL USED ON	ASS'Y NO.
APPLICATION		
	CODE	S401-(8071)

NOTICE TO PERSONS RECEIVING THIS DRAWING
THE TECHNICAL MATERIEL CORPORATION claims proprietary right in the material disclosed hereon. This drawing is issued in confidence for engineering information only and may not be reproduced or used to manufacture anything shown hereon without permission from THE TECHNICAL MATERIEL CORPORATION to the user. This drawing is loaned for mutual assistance and is subject to recall at any time.

UNLESS OTHERWISE SPECIFIED
DIMENSIONS ARE IN INCHES
AND INCLUDE CHEMICALLY APPLIED
OR PLATED FINISHES

DECIMALS FRACTIONS
.X \pm .05 TOLS. 1/64
.XX \pm .01 ANGLES
.XXX \pm .005 0° -30'

MATERIAL
AS NOTED
FINISH
AS NOTED

REQ'D	ITEM	PART NUMBER	DESCRIPTION	SYM.
F. BUDETTI LIST OF MATERIAL				
FINAL APPROVAL		DATE	THE TECHNICAL MATERIEL CORP.	
MECH. DES.		DATE	MAMARONECK, NEW YORK	
ELECT. DES.		DATE	TRANSFORMER, POWER,	
CHECKED		DATE	STEP-UP	
DRAWN		DATE	SIZE	CODE IDENT. NO.
			B	82679
			DWG NO.	TF 373
			SCALE - NONE	SHEET OF