

5

4

3

2

1

REVISIONS

ZONE	LTR	DESCRIPTION	DATE	E.M.N.NO	DRAFT	CHKD	APPD
	X	EXP. RELEASE	9.27.67		H.G.	<i>[Signature]</i>	<i>[Signature]</i>
	Ø	ORIG RELEASE FOR PROD	10/9/67	Ø	C.V.	<i>[Signature]</i>	

SPECIFICATIONS

ELECTRICAL:

PRIMARY WINDING
 VOLTAGE: 115/230 VAC
 FREQUENCY: 50/60 CPS

SECONDARY WINDING
 VOLTAGE: 1200 VAC NO LOAD TO SUPPLY DUBLER CKT (3000 VAC) .3 ADC

PHASE: SINGLE
 INSULATION TEST VOLTAGE: 3000 VRMS

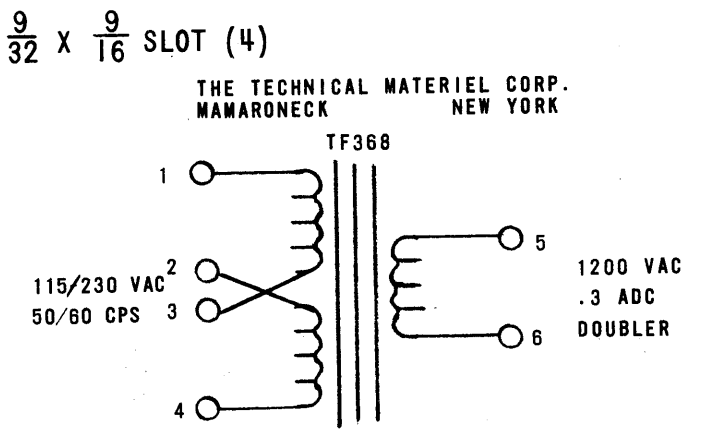
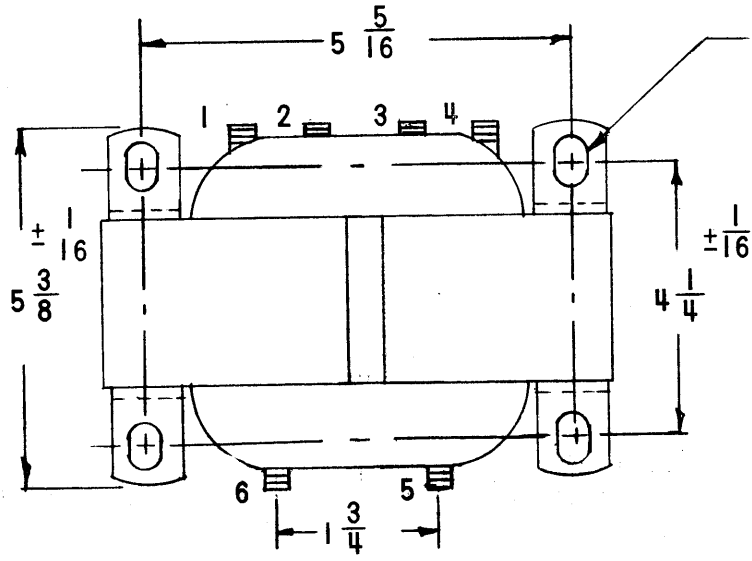
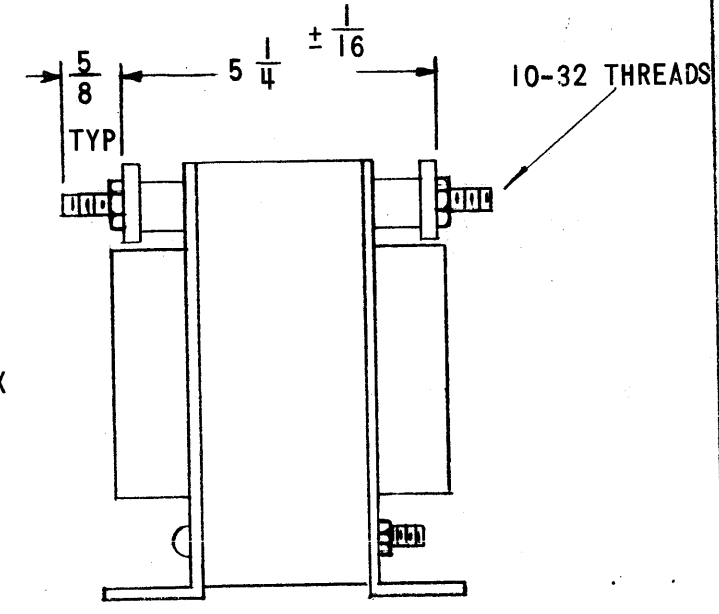
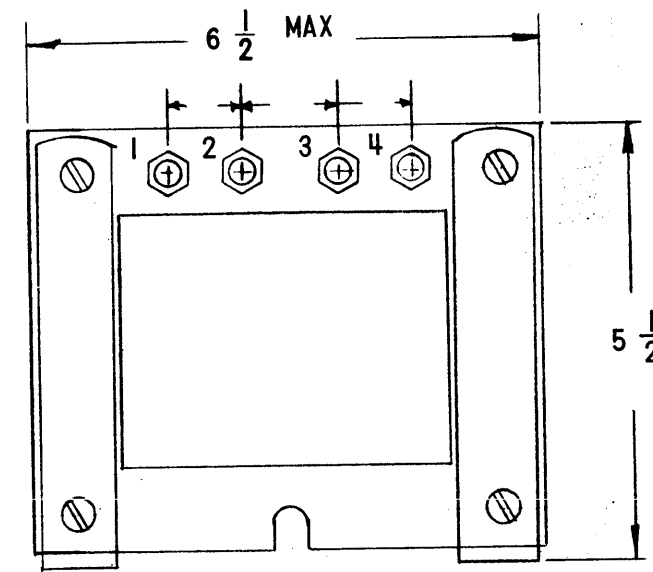
MECHANICAL:

CASE: OPEN FRAME
 FINISH: BLACK MATT
 EXCEPT TERMINALS

DIMENSIONS: SHOWN PICTORIALLY
 TERMINALS: 10-32 THREADS
 TOLERANCE RANGE: ±1/32 UNLESS OTHERWISE SPECIFIED

STAMPING: ACCORDING TO TMC SPEC S727 WHITE GOTHIC LETTERING AND LINE WORK
 SCHEMATIC TO BE PLACED AS SHOWN

NOTE: MANUFACTURED IN ACCORDANCE WITH MIL-SPEC T-27-A, EXCEPT THAT MIL SPEC T-27-A SHALL NOT APPEAR ON CASE AND QUALIFICATION TESTING NOT REQUIRED.



THE TECHNICAL MATERIEL CORP. MAMARONECK NEW YORK

TF368

LPA-2		
QTY / UNIT	MODEL USED ON	ASS'Y NO.
APPLICATION		
CODE	S401-30 (BCT#7849)	

NOTICE TO PERSONS RECEIVING THIS DRAWING
 THE TECHNICAL MATERIEL CORPORATION claims proprietary right in the material disclosed hereon. This drawing is issued in confidence for engineering information only and may not be reproduced or used to manufacture anything shown hereon without permission from THE TECHNICAL MATERIEL CORPORATION to the user. This drawing is loaned for mutual assistance and is subject to recall at any time.

REQ'D	ITEM	PART NUMBER	DESCRIPTION	SYM.
F. BUDETTI LIST OF MATERIAL				
UNLESS OTHERWISE SPECIFIED DIMENSIONS ARE IN INCHES AND INCLUDE CHEMICALLY APPLIED OR PLATED FINISHES		FINAL APPROVAL <i>[Signature]</i>	DATE 10/6/67	THE TECHNICAL MATERIEL CORP. MAMARONECK, NEW YORK
MECH. DES.			DATE	
ELECT. DES.		<i>[Signature]</i>	DATE 10/10/67	
CHECKED			DATE	
MATERIAL		DRAWN H.G.	DATE 9.27.67	TRANSFORMER, POWER STEP-UP
FINISH		MIL DA		
SIZE	CODE IDENT. NO.	DWG NO.	ISSUE	
B	82679	TF 368	Ø	
SCALE	SHEET		OF	

5

4

3

2

1