

5

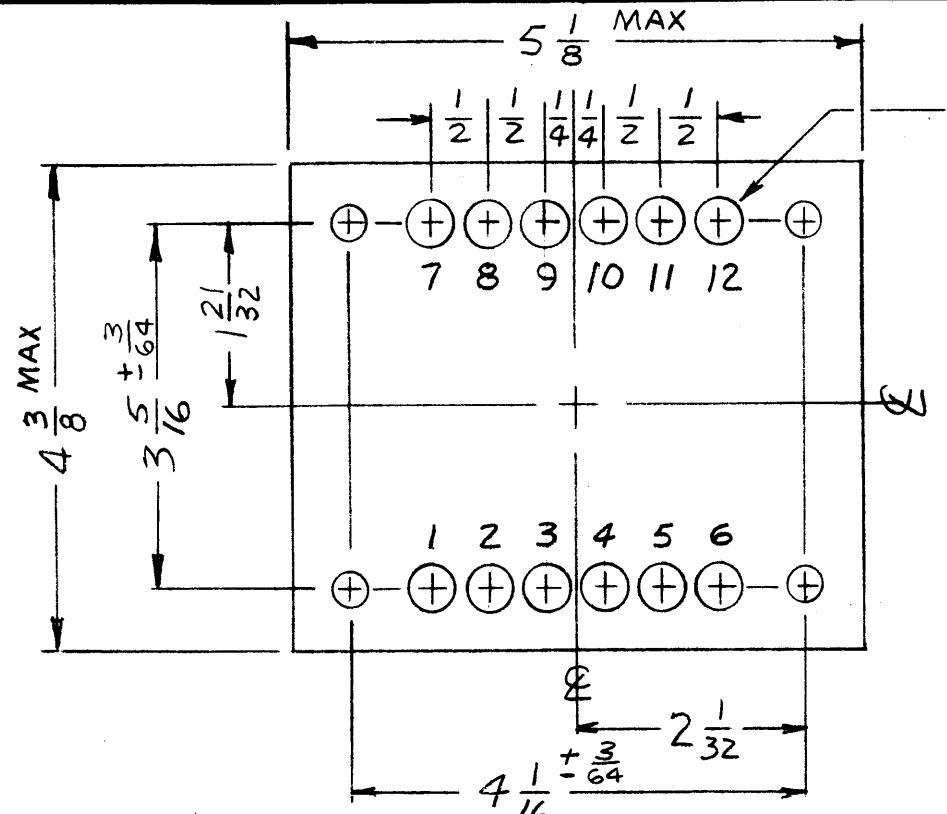
4

3

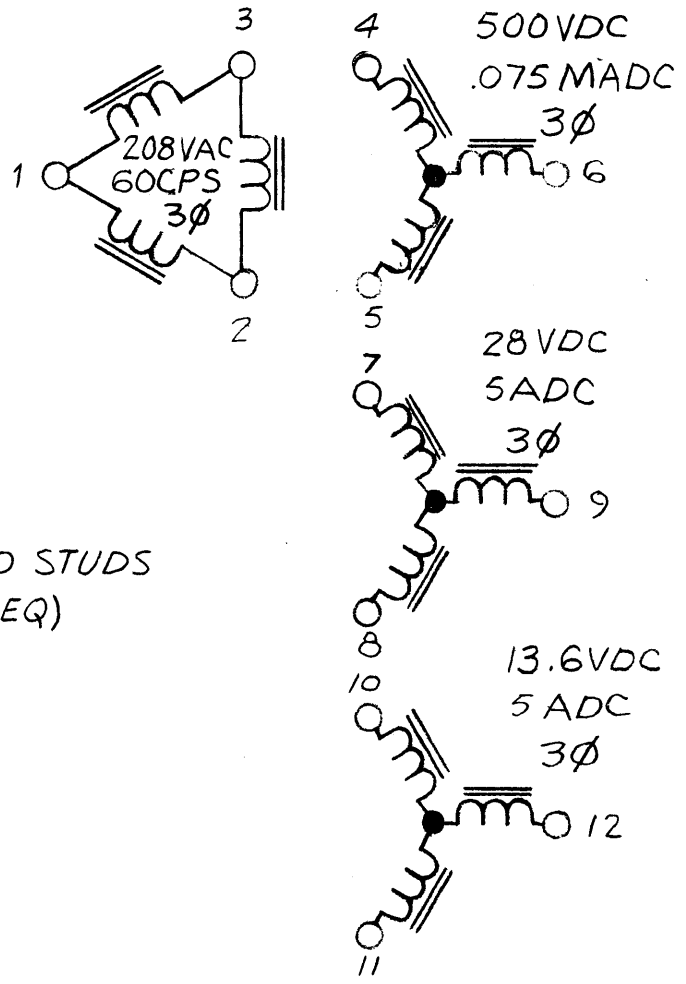
2

1

REVISIONS						
ZONE	LTR	DESCRIPTION	DATE	E.M.N.NO	DRAFT	CHKD
	X	EXP. RELEASE	3.1.68			
	Ø	ORIG. RELEASE FOR PROD.	5.1.68	Ø	RG.	



THE TECHNICAL MATERIEL CORPORATION
MAMARONECK
NEW YORK
TF 366



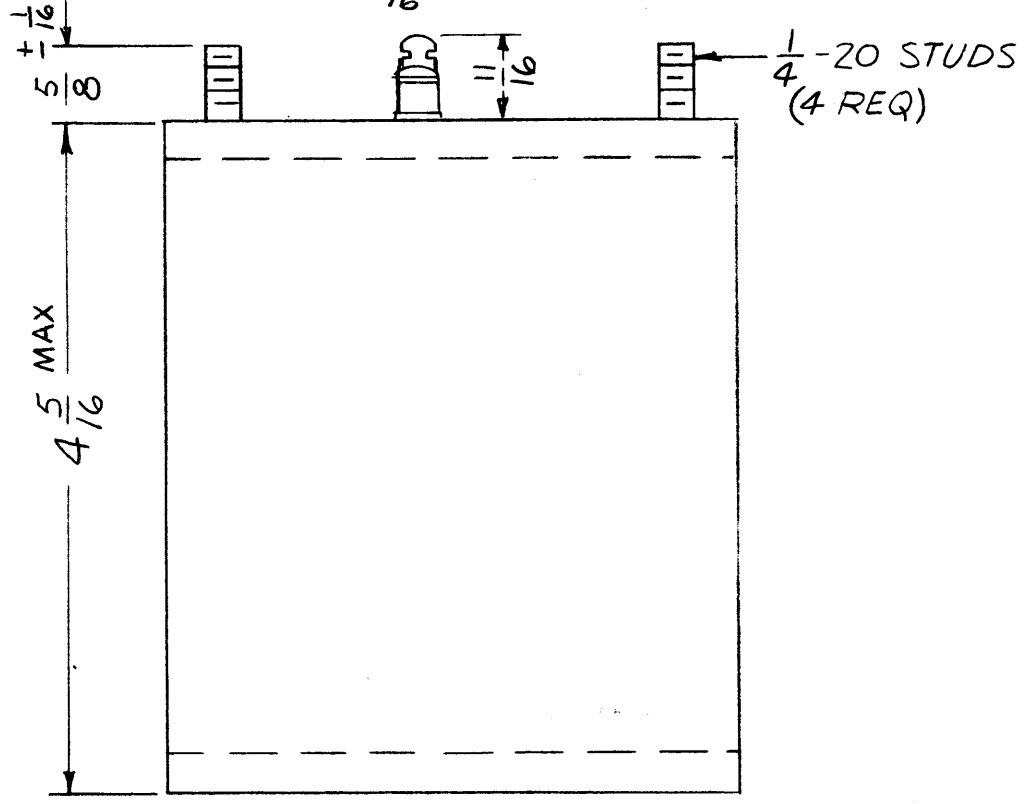
ELECTRICAL SPECIFICATIONS

PRIMARY: 208 VAC, 3Ø, 60 CPS
 SECONDARY: 13.6 VDC, 5A FROM 3Ø FWB
 SECONDARY: 500 VDC, .075A, FROM 3Ø FWB
 SECONDARY: 28 VDC, 5A FROM 5A, 3Ø FWB

MECHANICAL SPECIFICATIONS

CASE DATA:
 HERMETICALLY SEALED
 CASE DIMENSIONS: $4 \frac{3}{8} \times 5 \frac{1}{8} \times 4 \frac{5}{16}$
 TERMINAL DATA:
 NO OF TERMINALS: 12
 TYPE: CERAMIC, SOLDER TYPE
 FINISH: S115 SMOOTH GREY ENAMEL

MARKING: ALL TERMINALS TO BE METAL STAMPED
 (METAL CASE ONLY) SCHEMATIC AND
 TMC IDENTIFICATION TO BE MARKED
 ON TOP OF CASE. MARKING TO BE PER
 TMC SPECS S566 AND S727



NOTE:
 MANUFACTURED IN ACCORDANCE WITH
 MIL SPEC T-27-A, EXCEPT THAT
 MIL SPEC T-27-A SHALL NOT APPEAR
 ON CASE & QUALIFICATION TESTING
 NOT REQ.

1	BCT-10KA	P/S
QTY / UNIT	MODEL USED ON	ASS'Y NO.
APPLICATION		
	CODE A	S 401-30 (7896)

NOTICE TO PERSONS RECEIVING THIS DRAWING
 THE TECHNICAL MATERIEL CORPORATION claims proprietary right in the material disclosed hereon. This drawing is issued in confidence for engineering information only and may not be reproduced or used to manufacture anything shown hereon without permission from THE TECHNICAL MATERIEL CORPORATION to the user. This drawing is loaned for mutual assistance and is subject to recall at any time.

UNLESS OTHERWISE SPECIFIED DIMENSIONS ARE IN INCHES AND INCLUDE CHEMICALLY APPLIED OR PLATED FINISHES	
DECIMALS .X ± .05 .XX ± .01 .XXX ± .005	FRACTIONS 1/64 ANGLES 0° -30'
MATERIAL	
FINISH	

REQ'D	ITEM	PART NUMBER	DESCRIPTION	SYM.
F. BUDETTI LIST OF MATERIAL				
THE TECHNICAL MATERIEL CORP. MAMARONECK, NEW YORK			TRANSFORMER, POWER, STEP-UP	
SIZE	CODE IDENT. NO.	DWG NO.	ISSUE	
B	82679	TF 366	Ø	
SCALE			SHEET	OF

5

4

3

2

1