

5

4

3

2

1

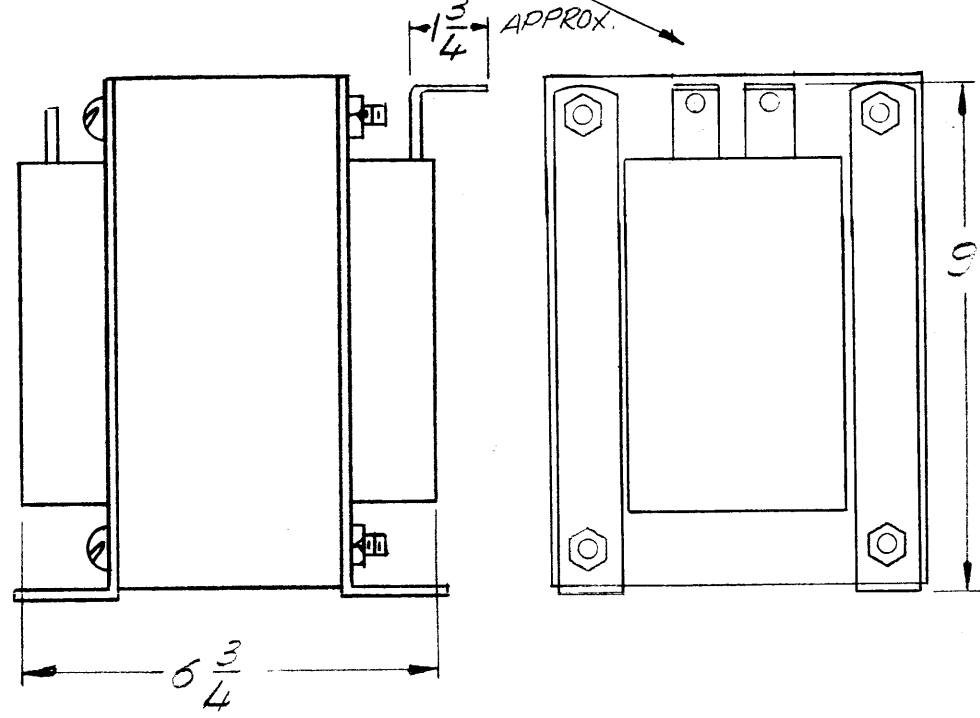
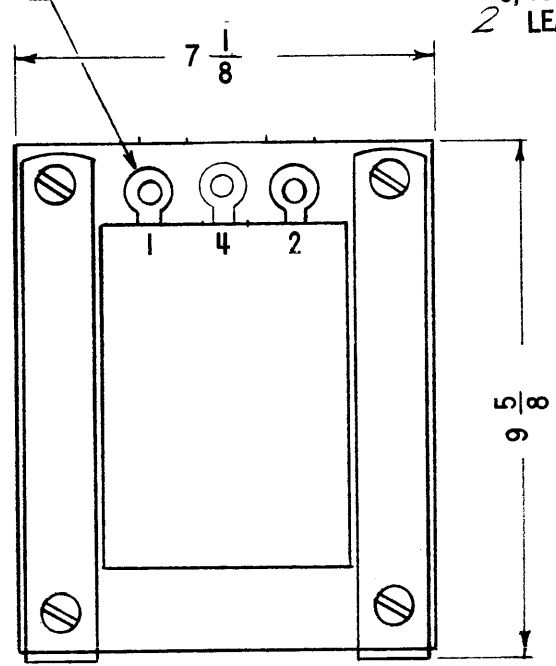
REVISIONS

ZONE	LTR	DESCRIPTION	DATE	E.M.N.NO	DRAFT	CHKD	APPD
	X	EXPERIMENTAL RELEASE	3/29/68		C.V.		
	Ø	ORKS. RELEASE FOR PROD.	5-8-68	Ø	R.G.		
	Δ	REV. E UPDATED	5-21-69	19438	GE		FB
	B	REVISED LEADS	4/7/71	20318	GE		

5/16 DIA (3 REQ.)

5/16 DIA HOLE (2 PER LEAD) 2 LEADS

1 3/4 APPROX.



SPECIFICATIONS

ELECTRICAL:

PRIMARY: 208 VAC Ø1, 60 CPS  
 INSULATION TEST VOLTAGE: 1000 VDC  
 SECONDARY: 10 VAC 300 A CENTER TAP

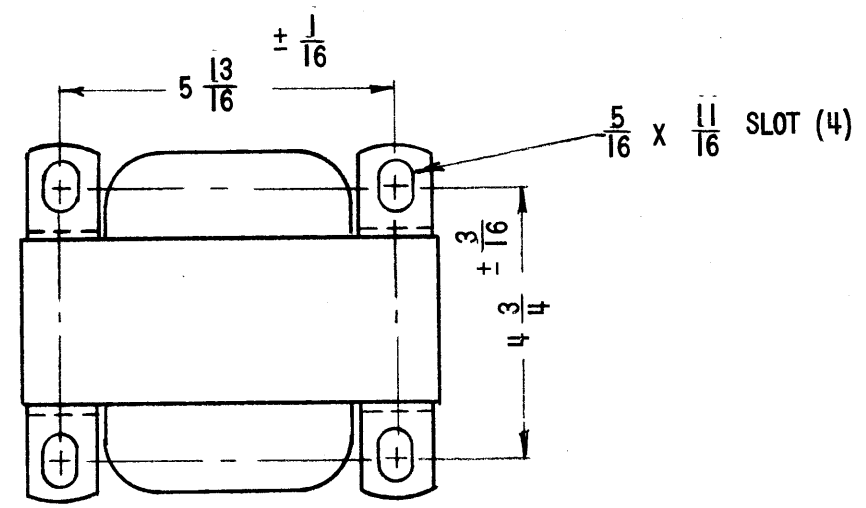
MECHANICAL:

CASE: OPEN FRAME  
 FINISH: TMC SPEC S115 SMOOTH GRAY ENAMEL  
 DIMENSIONS: SHOWN PICTORIALLY  
 TERMINALS: LUGS (OFF OF COIL)

MARKING:

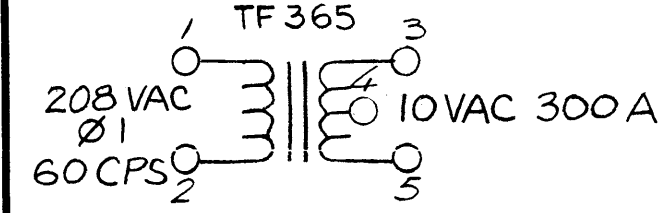
- A. SCHEMATIC AND TMC IDENTIFICATION TO BE PLACED ON TRANSFORMER.
- B. MARKING TO BE AS PER TMC S727.
- C. LETTER AND NUMERALS TO BE GOTHIC ALL MARKING TO BE BLACK.

NOTE: MANUFACTURED IN ACCORDANCE WITH MIL-SPEC T-27-A EXCEPT THAT MIL-SPEC T-27-A SHALL NOT APPEAR ON CASE AND QUALIFICATION TESTING NOT REQUIRED.



TO BE PLACED ON TOP OF TRANSFORMER

THE TECHNICAL MATERIEL CORPORATION MAMARONECK NEW YORK



1	BCT-10KA	4X 681
QTY / UNIT	MODEL USED ON	ASS'Y NO.

APPLICATION

CODE S401-30(7895)

NOTICE TO PERSONS RECEIVING THIS DRAWING  
 THE TECHNICAL MATERIEL CORPORATION claims proprietary right in the material disclosed hereon. This drawing is issued in confidence for engineering information only and may not be reproduced or used to manufacture anything shown hereon without permission from THE TECHNICAL MATERIEL CORPORATION to the user. This drawing is loaned for mutual assistance and is subject to recall at any time.

UNLESS OTHERWISE SPECIFIED DIMENSIONS ARE IN INCHES AND INCLUDE CHEMICALLY APPLIED OR PLATED FINISHES

DECIMALS	FRACTIONS
.X ± .05	1/64
.XX ± .01	TOLS. ANGLES
.XXX ± .005	0° - 30'

MATERIAL

FINISH

REQ'D	ITEM	PART NUMBER	DESCRIPTION	SYM.
F. BUDETTI LIST OF MATERIAL				
THE TECHNICAL MATERIEL CORP. MAMARONECK, NEW YORK				
TRANSFORMER, POWER, STEP DOWN				
SIZE	CODE IDENT. NO.	DWG NO.	ISSUE	
B	82679	TF 365	B	
SCALE	SHEET			OF

5

4

3

2

1