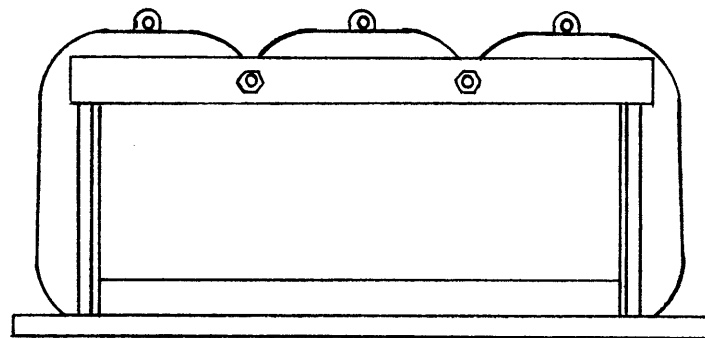
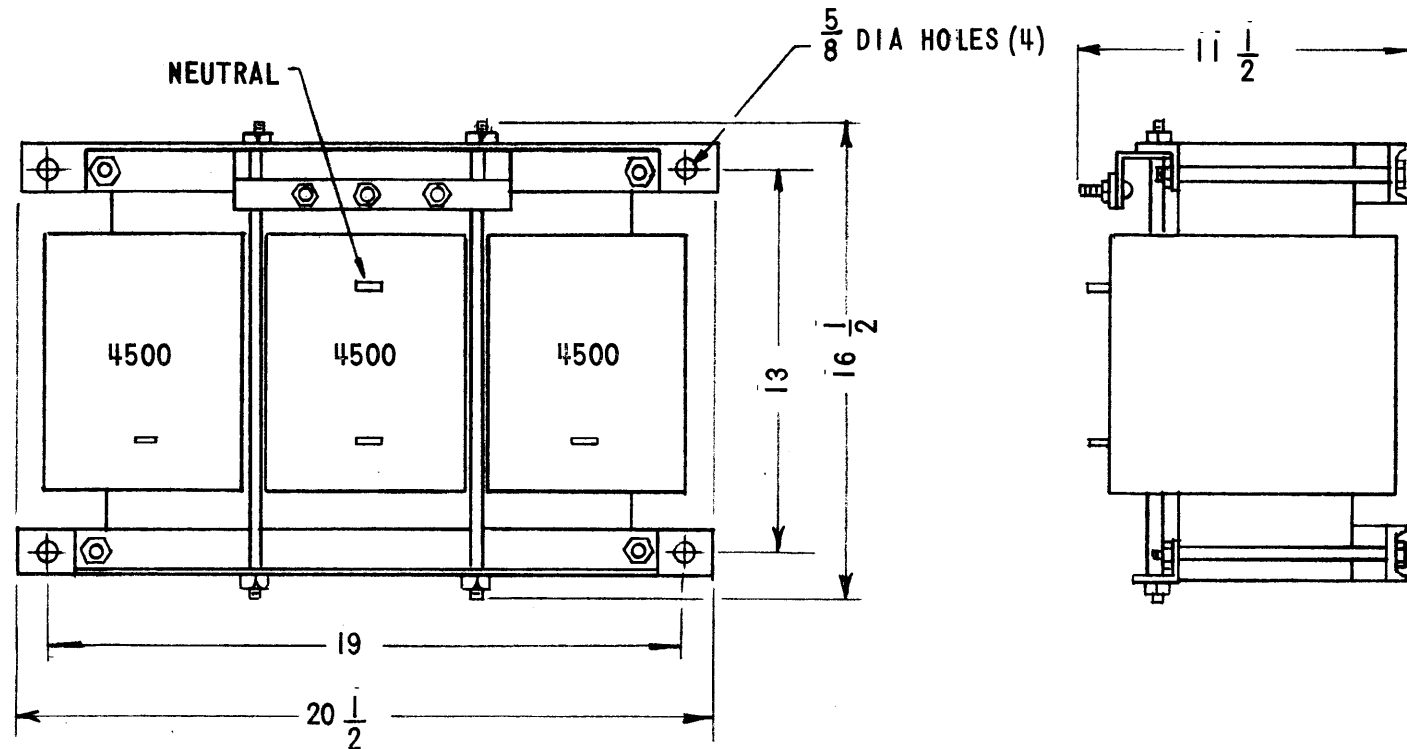


REVISIONS						
ZONE	LTR	DESCRIPTION	DATE	E.M.N.NO	DRAFT	CHKD APPD
	X	EXPERIMENTAL RELEASE	3/29/68		C.V.	<i>[Signature]</i>
	Ø	ORIG. RELEASE FOR PROD.	5.10.68	Ø	R.G.	<i>[Signature]</i>



SPECIFICATIONS

ELECTRICAL:

PRIMARY: 208 VAC 3Ø, 60 CPS
INSULATION TEST VOLTAGE: 15 KV

SECONDARY: 10 K VDC @ 4A FROM 3Ø FWB

MECHANICAL:

CASE: OPEN FRAME
FINISH: TMC SPEC S115 SMOOTH GRAY ENAMEL
DIMENSIONS: SHOWN PICTORIALY

TERMINALS:

PRIMARY: LUGS
SECONDARY: SOLDER TERM

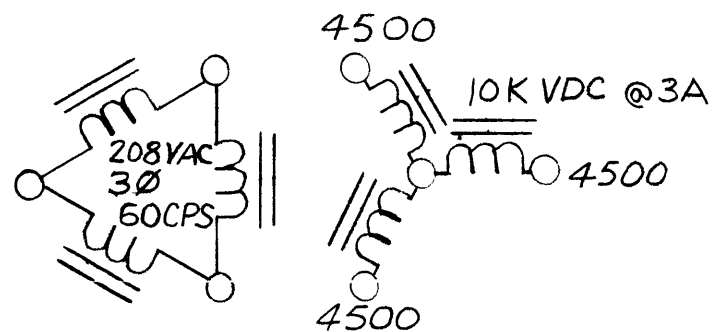
MARKING:

- A. SCHEMATIC AND TMC IDENTIFICATION TO BE MARKED ON TOP OF TRANSFORMER.
- B. MARKING TO BE AS PER TMC S727.
- C. LETTER AND NUMERALS TO BE GOTHIC ALL MARKING TO BE IN BLACK.

NOTE: MANUFACTURED IN ACCORDANCE WITH MIL-SPEC T-27-A EXCEPT THAT MIL-SPEC T-27-A SHALL NOT APPEAR ON CASE AND QUALIFICATION TESTING NOT REQUIRED.

TO BE MARKED ON TOP OF TRANSFORMER

THE TECHNICAL MATERIEL CORPORATION
MAMARONECK NEW YORK
TF 364



1	BCT-10KA	
QTY / UNIT	MODEL USED ON	ASS'Y NO.
APPLICATION		
	CODE C	S401-30(7894)

NOTICE TO PERSONS RECEIVING THIS DRAWING
 THE TECHNICAL MATERIEL CORPORATION claims proprietary right in the material disclosed hereon. This drawing is issued in confidence for engineering information only and may not be reproduced or used to manufacture anything shown hereon without permission from THE TECHNICAL MATERIEL CORPORATION to the user. This drawing is loaned for mutual assistance and is subject to recall at any time.

UNLESS OTHERWISE SPECIFIED DIMENSIONS ARE IN INCHES AND INCLUDE CHEMICALLY APPLIED OR PLATED FINISHES

DECIMALS	FRACTIONS
.X ± .05	1/64
.XX ± .01	TOLS. ANGLES
.XXX ± .005	0° -30'

MATERIAL

FINISH

REQ'D	ITEM	PART NUMBER	DESCRIPTION	SYM.
F. BUDETTI LIST OF MATERIAL				
THE TECHNICAL MATERIEL CORP. MAMARONECK, NEW YORK				
TRANSFORMER, POWER STEP-UP				
SIZE	CODE IDENT. NO.	DWG NO.	TF 364	ISSUE Ø
B	82679			
SCALE		SHEET	OF	