

5

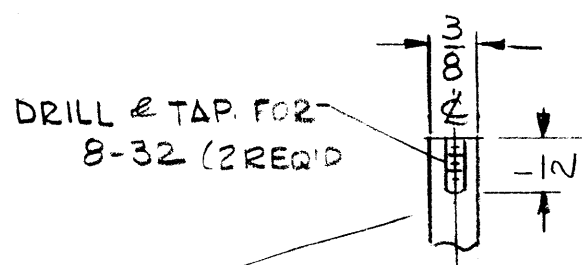
4

3

2

1

REVISIONS							
E.M.N. NO.	DRAFT	CHKD	ZONE	LTR	DESCRIPTION	DATE	APPROVED
	GDL				ORIGINAL RELEASE FOR PRODUCTION	2-4-93	



D

D

C

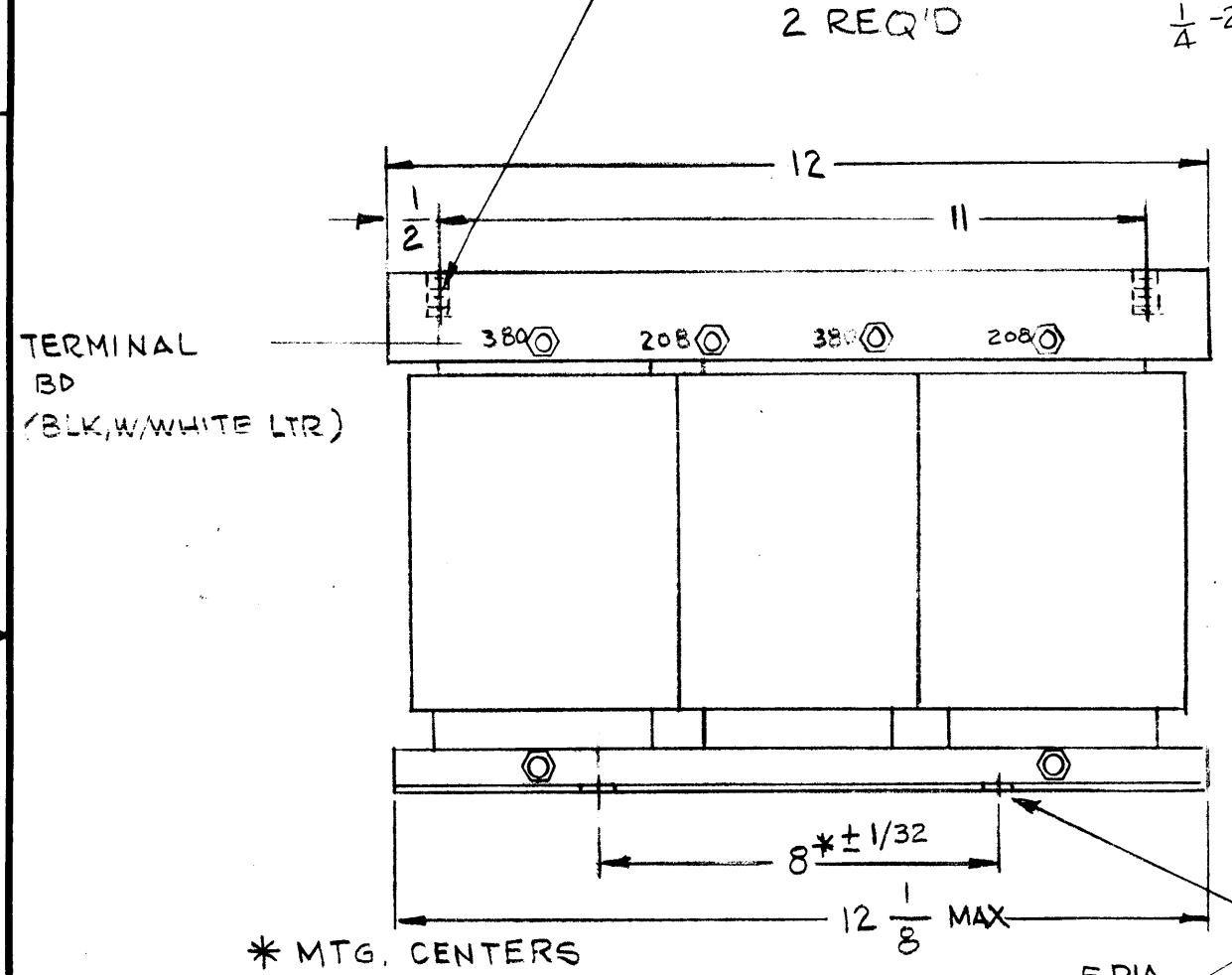
C

B

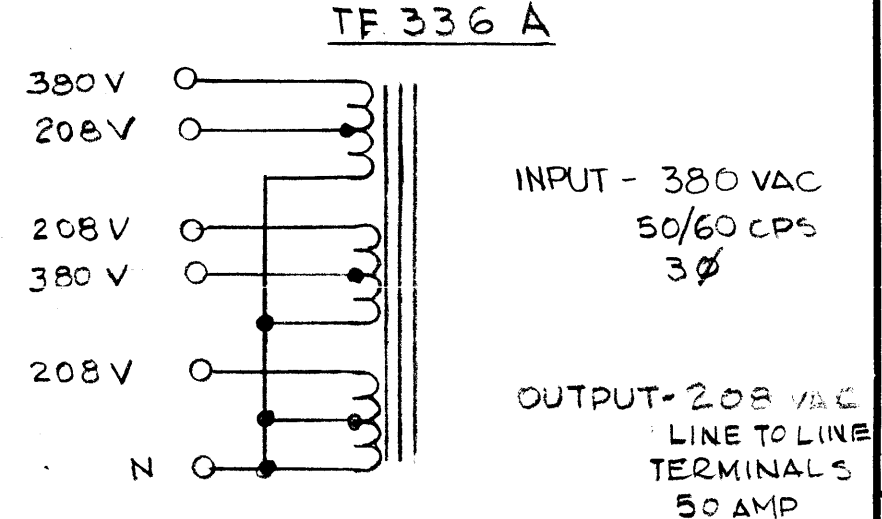
B

A

A



THE TECHNICAL MATERIEL CORP.
MAMARONECK NEW YORK



SCHEMATIC - TO BE STAMPED ON XFMR IN WHITE

SPECIFICATIONS

- WINDING DATA:
- INPUT 380 VAC
 - OUTPUT VOLTAGE: 208V AC
 - OUTPUT CURRENT RATING: 50AMP RMS
 - BREAKDOWN TEST VOLTAGE 2000V AC
 - CASE-OPEN FRAME
 - FINISH-S115 SMOOTH GREY ENAMEL EXCEPT TERMINAL BOARD TERMINALS
 - TERMINAL BOARD 3/8" THICK

NOTE: MFG-IN ACCORDANCE WITH MIL-T-27A SHALL NOT APPEAR ON CASE AN QUALIFICATION TESTING IS NOT REQUIRED

QTY / UNIT	MODEL USED ON	ASS'Y NO.
1	GPT-40K	
APPLICATION		
	CODE	5401-30 (7128)
NOTICE TO PERSONS RECEIVING THIS DRAWING		
THE TECHNICAL MATERIEL CORPORATION claims proprietary right in the material disclosed hereon. This drawing is issued in confidence for engineering information only and may not be reproduced or used to manufacture anything shown hereon without permission from THE TECHNICAL MATERIEL CORPORATION to the user. This drawing is loaned for mutual assistance and is subject to recall at any time.		

UNLESS OTHERWISE SPECIFIED DIMENSIONS ARE IN INCHES AND INCLUDE CHEMICALLY APPLIED OR PLATED FINISHES	
DECIMALS	FRACTIONS
.X ± .05	1/64
.XX ± .01	TOLS. ANGLES
.XXX ± .005	0° - 30'
MATERIAL	
FINISH	

REQ'D	ITEM	PART NUMBER	DESCRIPTION	SYM.
LIST OF MATERIAL				
FINAL APPROVAL				
MECH. DES.				
ELECT. DES.				
CHECKED				
DRAWN G. De LO V.				
DATE 2-4-93				
THE TECHNICAL MATERIEL CORP. MAMARONECK, NEW YORK				
TRANSFORMER PWR FIXED				
SIZE	CODE IDENT. NO.	DWG NO.	ISSUE	
B	82679	TF336A	C	
SCALE	1:1	SHEET		OF

5

4

3

2

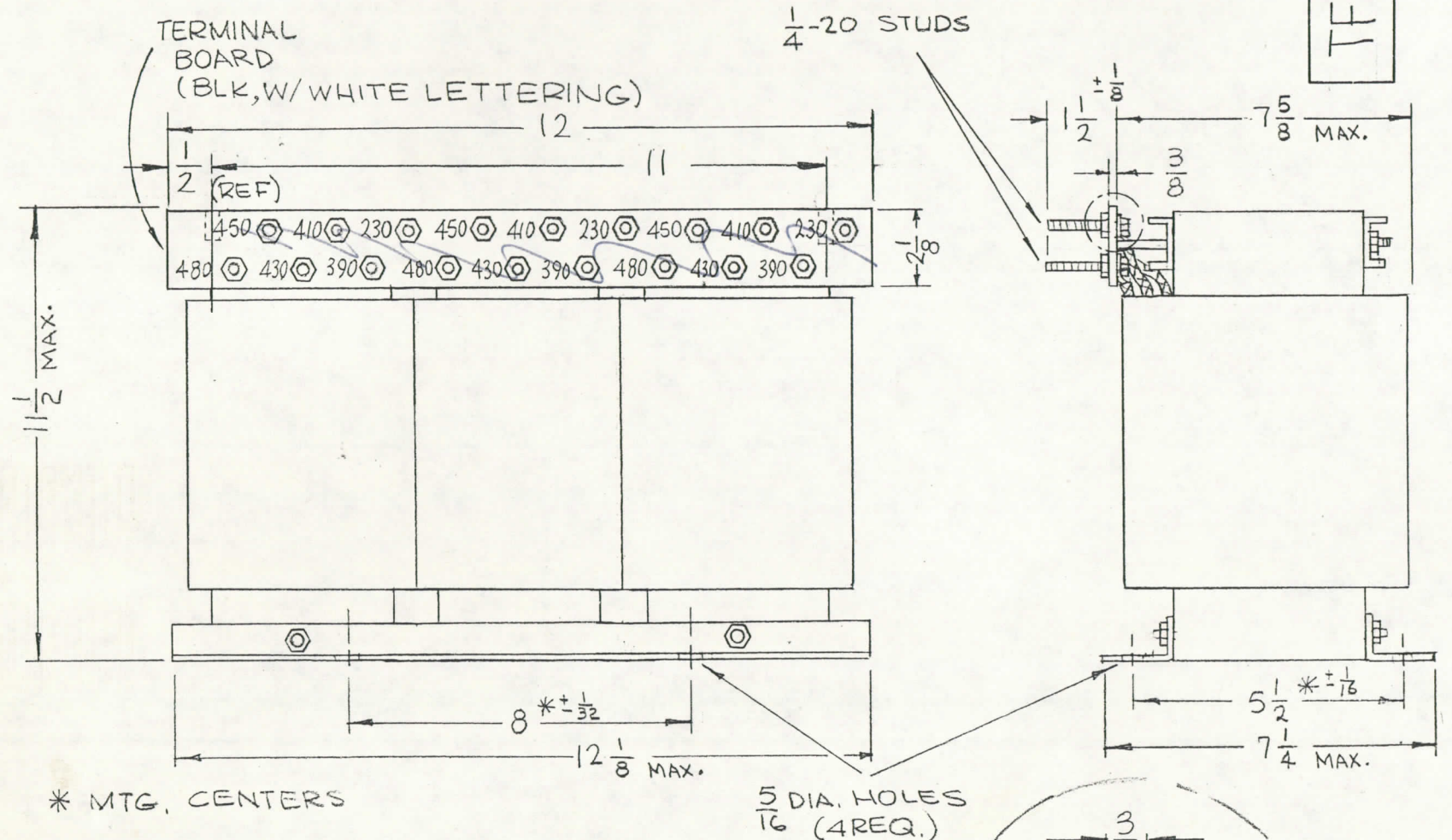
1

Keep

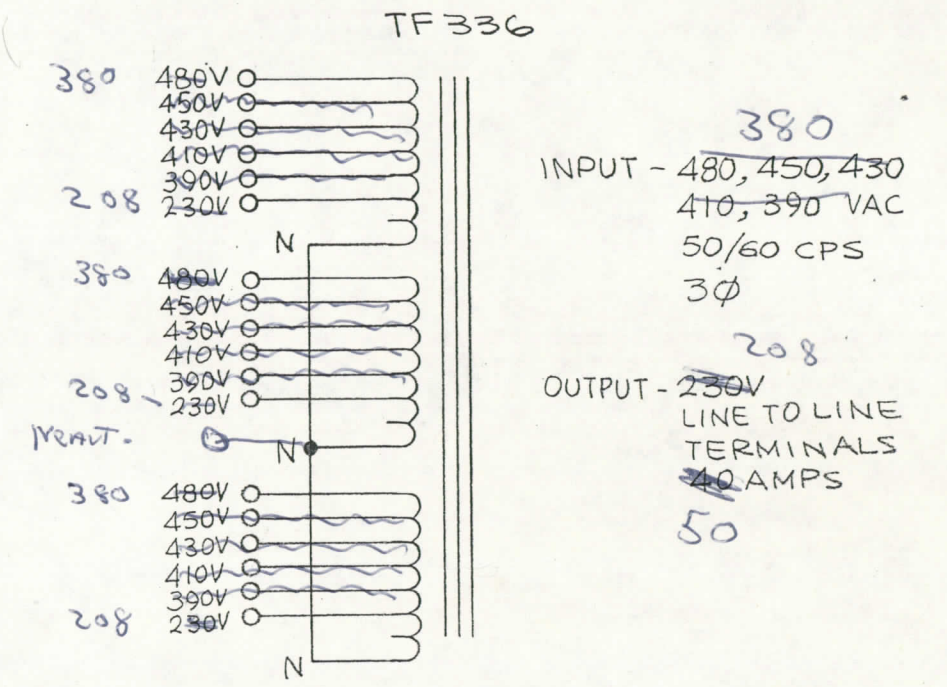
TF336 A B

REVISIONS

SYM	DESCRIPTION	DATE	E.M.N. NO.	DRAFT	CHKD	APPD
X	EXPERIMENTAL RELEASE	5/25/66	-M-	Jc		
Ø	ORIGINAL RELEASE FOR PRODUCTION	6.27.66	-H-	lfto		Jc
A	CHG'D DIMS AND ADDED TOL. ON PICT. CHG'D NOTES 1 AND 2 ON SPECS.	8.8.66	16716	RME		Jc MA
B	DIM 12 WAS 15-1/8, IT WAS F(2) 1/2 DIM ADDED SECT A-A ADDED	12.30.66	17588	lfto		Jc RB



THE TECHNICAL MATERIEL CORPORATION
MAMARONECK
NEW YORK



SCHEMATIC - TO BE STAMPED ON XFMR, IN WHITE.

Note! Bring out Neut

SPECIFICATIONS:

WINDING DATA:

- INPUT: 480, 450, 430, 410, 390VAC, 50/60 CPS, 3PH
- OUTPUT VOLTAGE: 230 V AC
- OUTPUT CURRENT RATING: 40 AMP RMS
- BREAKDOWN TEST VOLTAGE 2000V AC.
- CASE-OPEN FRAME.
- FINISH-S115 SMOOTH GREY ENAMEL EXCEPT TERMINAL BOARD & TERMINALS.
- TERMINAL BOARD 3/8" THICK.

NOTE: MFG-IN ACCORDANCE WITH/MIL-T-27A EXCEPT MIL-7-27A SHALL NOT APPEAR ON CASE AND QUALIFICATION TESTING IS NOT REQUIRED.

NOTES

1	GPT-40K	
Q'TY./UNIT	MODEL USED ON	ASS'Y. NO.
SCALE NONE	CODE C	S401-30(7168)

THE CONTENTS OF THIS DRAWING ARE THE EXCLUSIVE PROPERTY OF THE TECHNICAL MATERIEL CORP. ITS UNAUTHORIZED USE OR REPRODUCTION IN WHOLE OR IN PART IS STRICTLY FORBIDDEN.

REQ'D.	ITEM	PART NUMBER	DESCRIPTION	SYMBOL
F. BUDETTI LIST OF MATERIAL				
MATERIAL			THE TECHNICAL MATERIEL CORP. MAMARONECK, NEW YORK	
FINISH			TITLE	
SEE SPECS			TRANSFORMER, POWER, FIXED	
UNLESS OTHERWISE SPECIFIED DIMENSIONS ARE IN INCHES AND INCLUDE CHEMICALLY APPLIED OR PLATED FINISHES			DRAWN	DATE
DECIMALS .X ± .05 .XX ± .01 .XXX ± .005			11-30-65	6-24-66
FRACTIONS ± 1/64 ANGLES ± 0° 30'			DATE	DATE
TOLERANCES			6-24-66	6-27-66
			DATE	DATE
			DATE	DATE