

NOTES: ELECTRICAL:

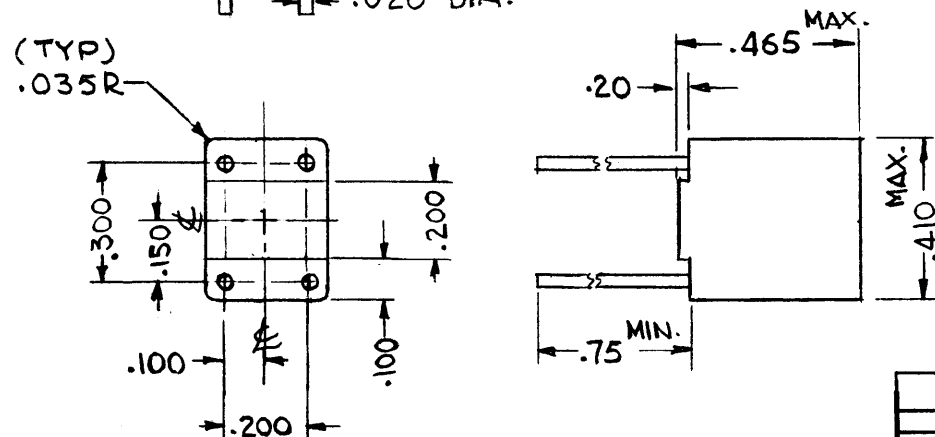
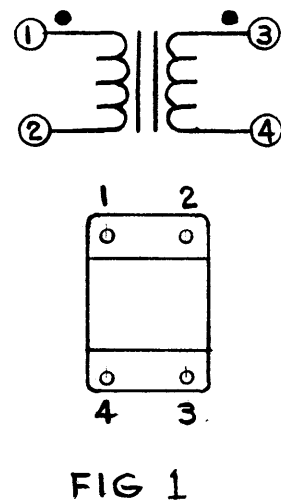
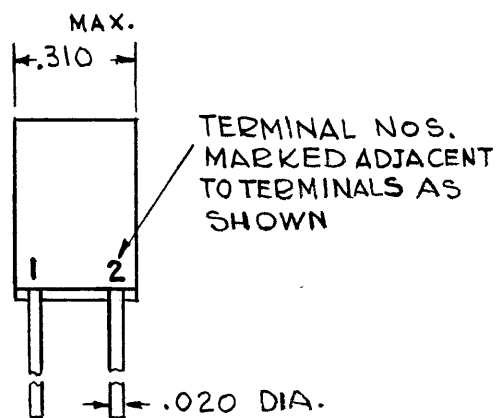
1. DIELECTRIC STRENGTH 500 VRMS, 60 CYCLES BETWEEN WINDINGS AND EACH WINDING TO CASE.
2. INSULATION RESISTANCE 10K MEGOHMS MINIMUM @ 500 VDC.
3. WORKING VOLTS: 150 MAXIMUM

TF 334

REVISIONS

| SYM | DESCRIPTION | DATE | E.M.N. NO. | DRAFT | CHKD | APPD |
|-----|---------------------------------|---------|------------|-------|------|------|
| Ø | ORIGINAL RELEASE FOR PRODUCTION | 10-5-65 | H | E | | |

| TMC P/N | MFG P/N | MILITARY TYPE NUMBER | APPLICATION | FIG. NO. | MAX. POWER OUT-MW | MATCHING IMPEDANCE | | PRI. MAX. MADC-UNBAL | D.C. RESISTANCE OHMS ± 20% | | FREQ. RESPONSE CPS ± 3 DB | OVERALL TURNS RATIO ± 3% |
|---------|---------|----------------------|-------------|----------|-------------------|--------------------|-----------|----------------------|----------------------------|-----------|---------------------------|--------------------------|
| | | | | | | PRIMARY | SECONDARY | | PRIMARY | SECONDARY | | |
| TF334-1 | SP-7 | TF5SX16ZZ | INPUT | 1 | 10 | 200,000 | 1,000 | 0 | 5300 | 110 | 300-60,000 | 14.1 : 1 |



| REQ'D. | ITEM | PART NUMBER | DESCRIPTION | SYMBOL |
|---|------------|--|--|--|
| LIST OF MATERIAL | | | | |
| MATERIAL | | THE TECHNICAL MATERIEL CORP. MAMARONECK, NEW YORK | | |
| FINISH | | TITLE TRANSFORMER, TRANSISTOR | | |
| UNLESS OTHERWISE SPECIFIED DIMENSIONS ARE IN INCHES AND INCLUDE CHEMICALLY APPLIED OR PLATED FINISHES | | DRAWN G.D.L. CHECKED JPB ELECT. DES. JPB MECH. DES. | DATE 9-27-65 DATE 10/5/65 DATE 10/5/65 | FINAL APPROVAL DATE 10/5/65 TF 334 |
| DECIMALS .X ± .05 .XX ± .01 .XXX ± .005 | TOLERANCES | FRACTIONS ± 1/64 ANGLES ± 0° 30' | SHEET | REV. LTR. |

| | | |
|--------------|---------------|------------|
| 1 | SPU - 2 | |
| Q'TY./UNIT | MODEL USED ON | ASS'Y. NO. |
| DO NOT SCALE | C | 6401-159 |

THE CONTENTS OF THIS DRAWING ARE THE EXCLUSIVE PROPERTY OF THE TECHNICAL MATERIEL CORP. ITS UNAUTHORIZED USE OR REPRODUCTION IN WHOLE OR IN PART IS STRICTLY FORBIDDEN.

NOTES