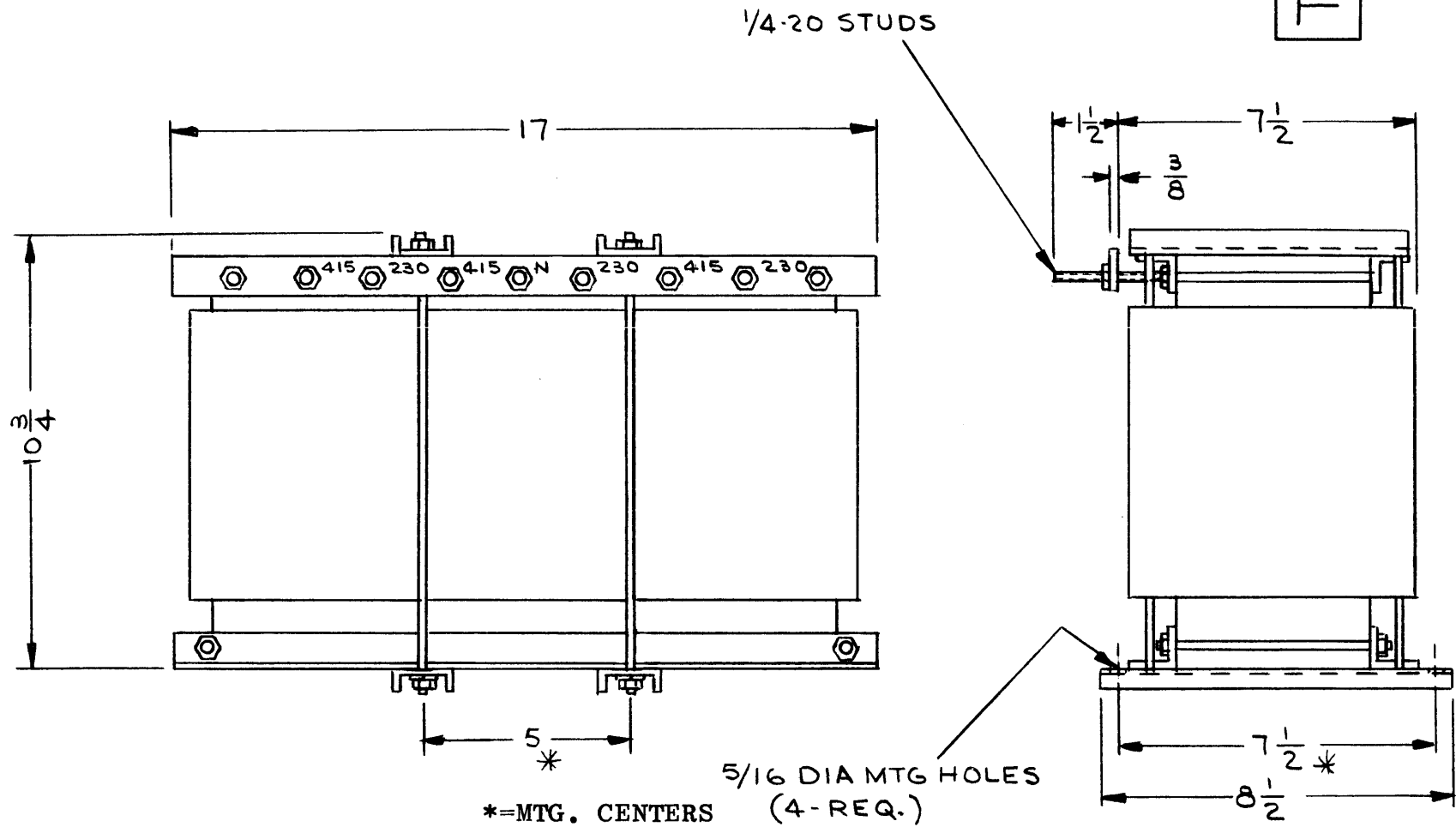


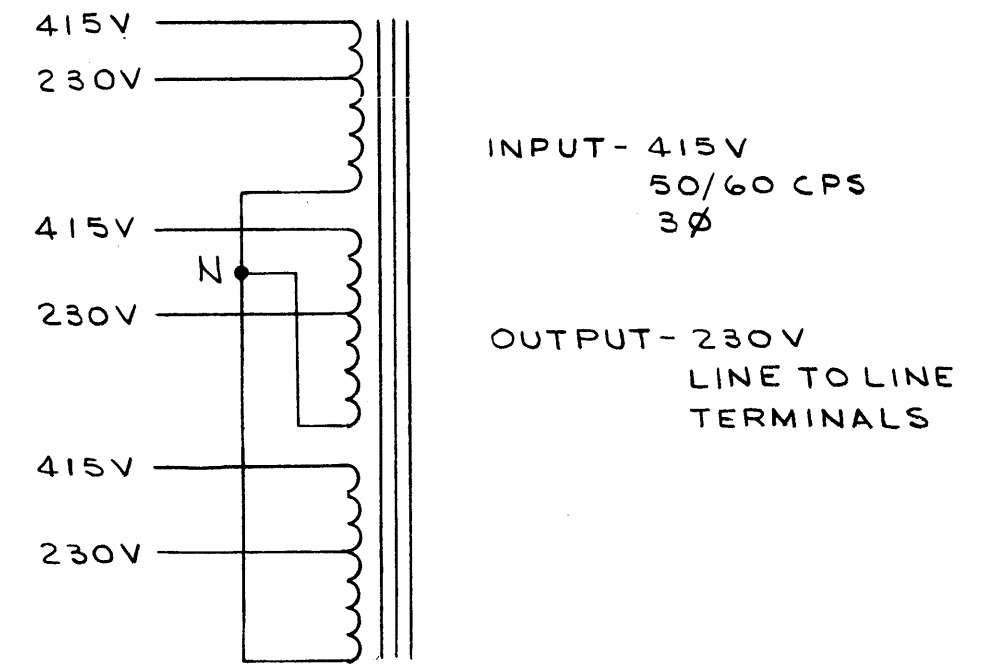
TF 329

REVISIONS						
SYM	DESCRIPTION	DATE	E.M.N. NO.	DRAFT	CHKD	APPD
X1	UNDER SPECIFICATIONS NO. 7 ADDED. CENTERS ADDED TO 5" DIM & 7-1/2" DIM. NOTE * = MTC.	7-20-65	-AA	JC		
X2	REMOVED TWO NEUTRAL CONNECTIONS, ADD MFG NO.	2-17-65		L.A.K.		
Ø	ORIGINAL RELEASE FOR PRODUCTION	2-27-67		L.A.K.		



THE TECHNICAL MATERIEL CORPORATION
MAMARONECK
NEW YORK

TF 329



SCHEMATIC - TO BE STAMPED ON XFMR

SPECIFICATIONS

WINDING DATA:

- INPUT- 415V 50/60 CPS, 3PH
- CURRENT RATING, 40A - RMS EACH PHASE
- TAPS - EACH WINDING TAPPED AT 230V.
- BREAKDOWN TEST VOLTAGE 2000V AC.
- CASE - OPEN FRAME.
- FINISH - S115 SMOOTH GREY ENAMEL EXCEPT TERMINAL BOARD & TERMINALS.

- TERMINAL BOARD: BLACK PHENOLIC 3/8" THICK.

NOTE: MFG - IN ACCORDANCE WITH/MIL-T-27A EXCEPT MIL-7-27A SHALL NOT APPEAR ON CASE AND QUALIFICATION TESTING IS NOT REQUIRED.

REQ'D.	ITEM	PART NUMBER	DESCRIPTION	SYMBOL
F. BUDETTI LIST OF MATERIAL				
MATERIAL		SEE SPECS		
FINISH		SEE SPECS		
		THE TECHNICAL MATERIEL CORP. MAMARONECK, NEW YORK		
		TITLE TRANSFORMER, POWER, FIXED		
UNLESS OTHERWISE SPECIFIED DIMENSIONS ARE IN INCHES AND INCLUDE CHEMICALLY APPLIED OR PLATED FINISHES		DRAWN JL	DATE 7/29/65	FINAL APPROVAL <i>[Signature]</i>
		CHECKED <i>[Signature]</i>	DATE	DATE 2/27/67
		ELECT. DES. <i>[Signature]</i>	DATE	DATE
		MECH. DES.	DATE	DATE
		SHEET		REV. LTR.

1	GPT-10KG	
Q'TY./UNIT	MODEL USED ON	ASS'Y. NO.
NONE	C	S401-30 (7048)
THE CONTENTS OF THIS DRAWING ARE THE EXCLUSIVE PROPERTY OF THE TECHNICAL MATERIEL CORP. ITS UNAUTHORIZED USE OR REPRODUCTION IN WHOLE OR IN PART IS STRICTLY FORBIDDEN.		

NOTES