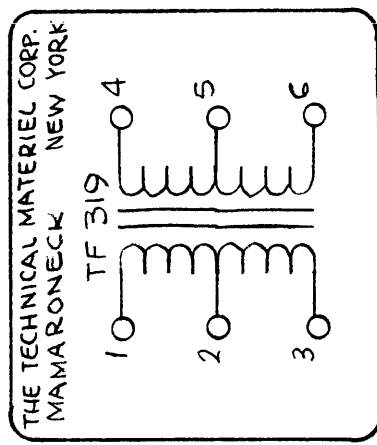
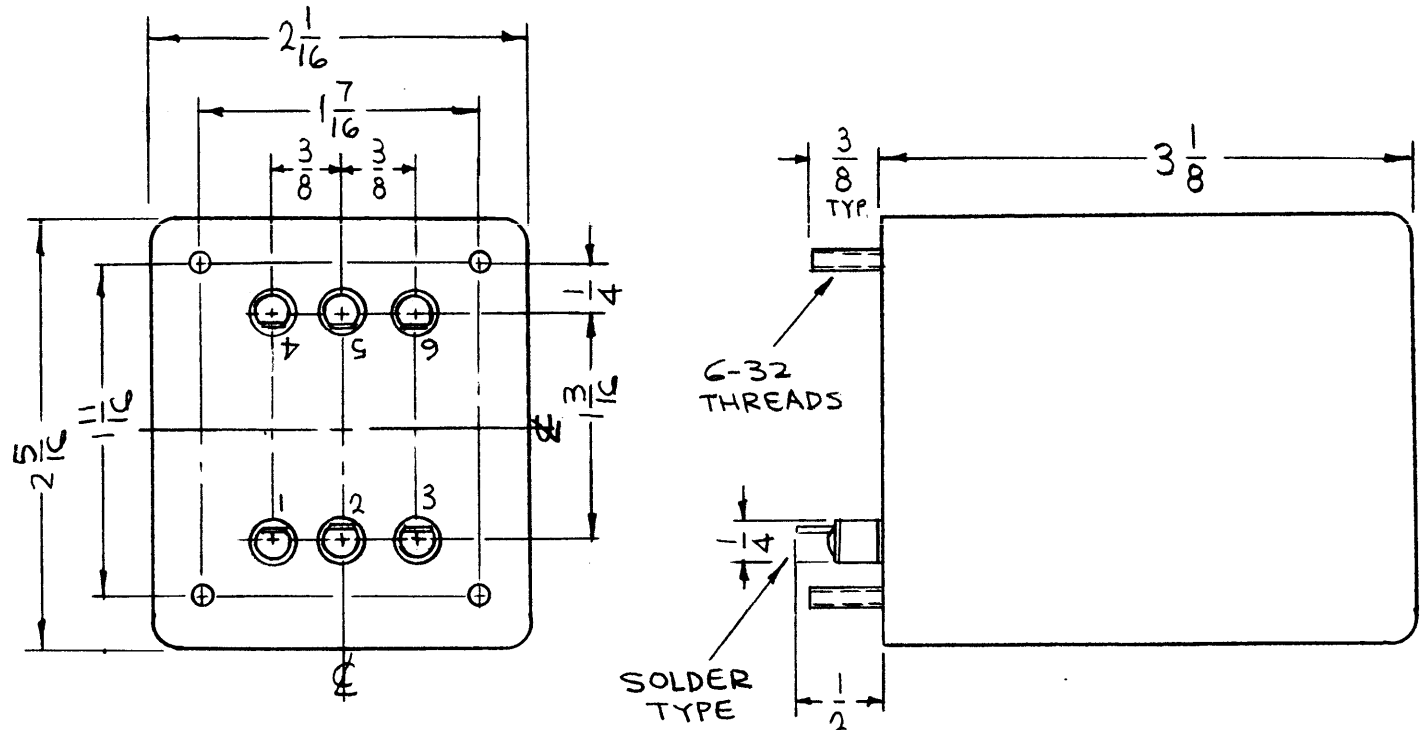


MOUNTING  
DETAIL

TF 319

REVISIONS

SYM	DESCRIPTION	DATE	E.M.N. NO.	DRAFT	CHKD	APPD
XI	2-5/16 WAS 2-9/16, ELE., MECH. SPEC. REV., MTG. DET., MFG. NO. ADDED	12-1-65		Jc		
Ø	ORIGINAL RELEASE FOR PRODUCTION	12-2-65		Ø		



- ELECTRICAL SPECIFICATIONS-
- TRANSFORMER, RF INTERSTAGE
  - COIL DATA:  
PRIMARY WINDING: TERM. 1,3 10KΩ IMPEDENCE  
SECONDARY WINDING: TERM. 4,6 2.5KΩ IMPEDENCE
- MECHANICAL SPECIFICATIONS-
- CASE DATA:  
A. HERMETICALLY SEALED  
B. RECTANGULAR STEEL CASE, MIL TYPE Y Y  
C. BODY DIMENSIONS: 2-5/16 LONG  
2-1/16 WIDE  
3-1/8 HIGH
  - MOUNTING DATA:  
A. MOUNTING METHOD: STUD  
B. MOUNTING DIMENSIONS: (4) 6-32 STUDS ON 1-7/16 X 1-11/16 CENTERS 3/8 HIGH
  - TERMINAL DATA:  
A. (6) TERMINALS  
B. SOLDER TYPE 1/2 HIGH INSULATED
  - FINISH:  
SMOOTH GRAY ENAMEL (TMC SPEC. S115) EXCEPT TERMINAL END.
  - MARKING:  
METAL STAMP TERMINALS 1 THRU 6 AS SHOWN  
MARK BOTTOM AS SHOWN PER TMC SPEC. S727.
- TEST VOLTAGE 1500VOLTS. (DC).

MANUFACTURE IN ACCORDANCE WITH MIL-SPECS .27A EXCEPT MIL-SPECS SHALL NOT APPEAR ON CASE & TESTING QUALIFICATIONS NOT REQ.

NOTES

QTY./UNIT	MODEL USED ON	ASS'Y. NO.
SCALE	CODE	
	C	S401-30 (6634)

THE CONTENTS OF THIS DRAWING ARE THE EXCLUSIVE PROPERTY OF THE TECHNICAL MATERIEL CORP. ITS UNAUTHORIZED USE OR REPRODUCTION IN WHOLE OR IN PART IS STRICTLY FORBIDDEN.

REQ'D.	ITEM	PART NUMBER	DESCRIPTION	SYMBOL
F. BUDETTI LIST OF MATERIAL				
MATERIAL		THE TECHNICAL MATERIEL CORP. MAMARONECK, NEW YORK		
FINISH		TITLE XFMR, RF INTERSTAGE		
UNLESS OTHERWISE SPECIFIED DIMENSIONS ARE IN INCHES AND INCLUDE CHEMICALLY APPLIED OR PLATED FINISHES		DRAWN	DATE	FINAL APPROVAL
		11-12-65		
		CHECKED	DATE	
		12-1-65		
		ELECT. DES.	DATE	
		MECH. DES.	DATE	
		TF 319		Ø
		SHEET		REV. LTR.
		M/L 28	12/2/65	