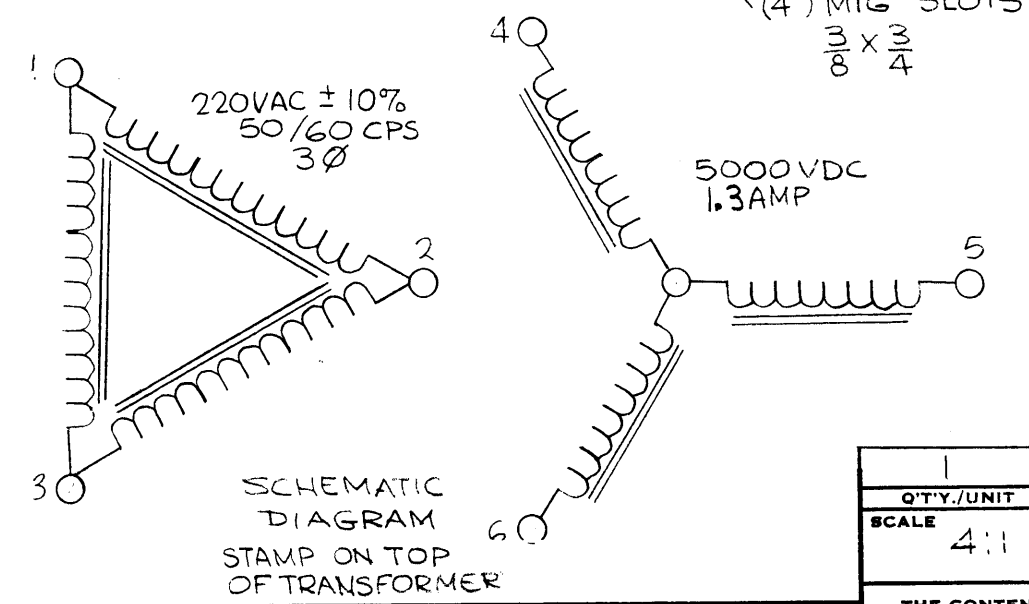
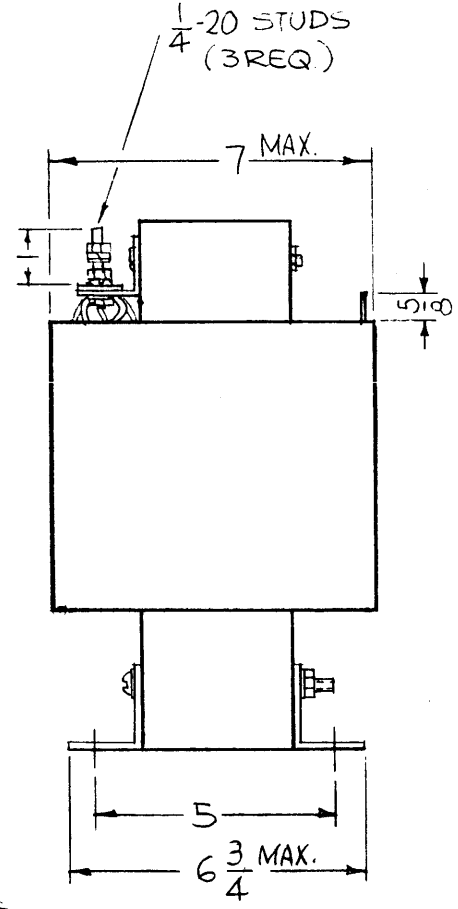
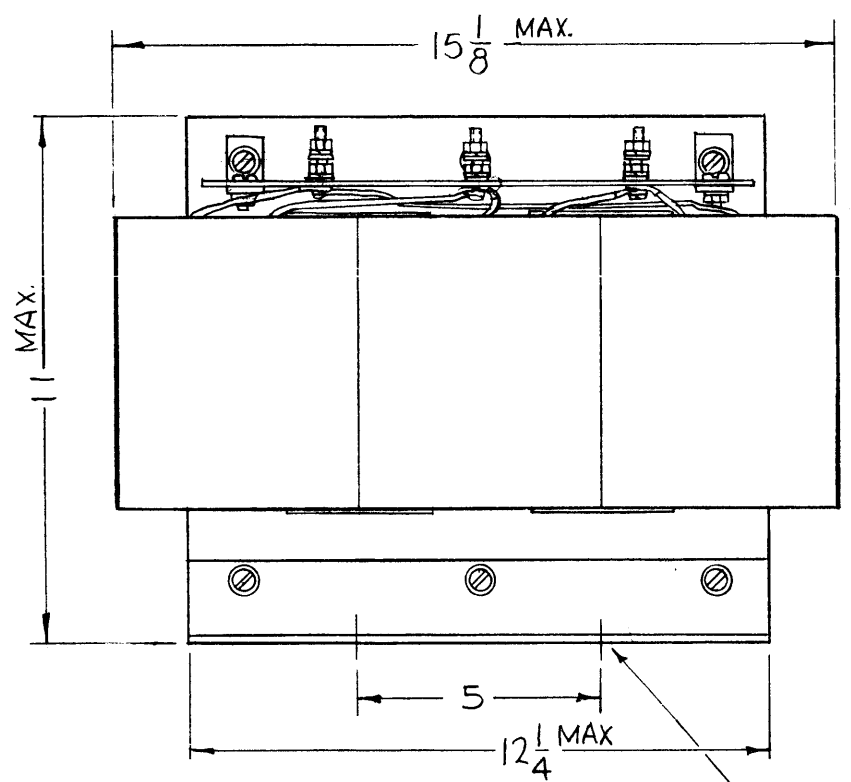


3 TERMINALS WITH 3/16 DIA HOLES

STAMP TOP BLACK GOTHIC SEE SCHEMATIC BELOW.



SCHEMATIC DIAGRAM STAMP ON TOP OF TRANSFORMER

NOTES

| | | |
|------------|---------------|----------------|
| 1 | AP-129 | A5263 |
| Q'TY./UNIT | MODEL USED ON | ASS'Y. NO. |
| SCALE 4:1 | CODE C | S401-30 (7195) |

THE CONTENTS OF THIS DRAWING ARE THE EXCLUSIVE PROPERTY OF THE TECHNICAL MATERIEL CORP. ITS UNAUTHORIZED USE OR REPRODUCTION IN WHOLE OR IN PART IS STRICTLY FORBIDDEN.

TF 314

REVISIONS

| SYM | DESCRIPTION | DATE | E.M.N. NO. | DRAFT | CHKD | APPD |
|-----|---------------------------------|--------|------------|-------|------|------|
| X2 | COMPLETELY REVISED & REDRAWN | 6-9-66 | X2 | DRP | | |
| X3 | RATING CHANGED WAS 1 AMP | 1-5-67 | X3 | DRP | | |
| Ø | ORIGINAL RELEASE FOR PRODUCTION | 1-9-67 | 4 | WTO | | |

SPECIFICATIONS

Electrical

Primary Winding:
 Voltage - 220 VAC ± 10%
 Frequency - 50/60 CPS
 Phase - 3
 Insulation Test Voltage - 2000 VRMS PR 4000 VRMS SEC.

Secondary Winding:
 Voltage - 5000 VDC
 Current - 1.3 AMP

Mechanical

Case - Open Frame
 Finish - S-115 Smooth Grey Enam. except Terminals and Boards
 Dimensions - shown pictorially
 Terminals - (3) 1/4-20 (3) with 3/16 Dia. Holes
 Tolerance ± 1/32 unless otherwise specified

Stamping

According with TMC SPEC. S-727
 Black Gothic Lettering and Line Work
 Schematic to be placed as shown

NOTE: Manufactured in accordance w/MIL-SPEC T-27-A, except that MIL-SPEC T-27-A shall not appear on case and qualification testing not req.

| REQ'D. | ITEM | PART NUMBER | DESCRIPTION | SYMBOL |
|--------|------|-------------|-------------|--------|
|--------|------|-------------|-------------|--------|

F. BUDETTI LIST OF MATERIAL

MATERIAL SEE SPECS THE TECHNICAL MATERIEL CORP. MAMARONECK, NEW YORK

FINISH SEE SPECS TITLE TRANSFORMER, POWER STEP-UP

| | | |
|---|-------------------------------------|---|
| UNLESS OTHERWISE SPECIFIED DIMENSIONS ARE IN INCHES AND INCLUDE CHEMICALLY APPLIED OR PLATED FINISHES | DRAWN <i>DRP</i> DATE 6-9-66 | FINAL APPROVAL <i>[Signature]</i> DATE 1/9/67 |
| DECIMALS .X ± .05 .XX ± .01 .XXX ± .005 | CHECKED | TF314 |
| FRACTIONS ± 1/64 ANGLES ± 0° 30' | ELECT. DES. <i>[Signature]</i> DATE | |
| TOLERANCES | MECH. DES. DATE | SHEET |
| | | REV. LTR. |

M/L *[Signature]* 1-12-67