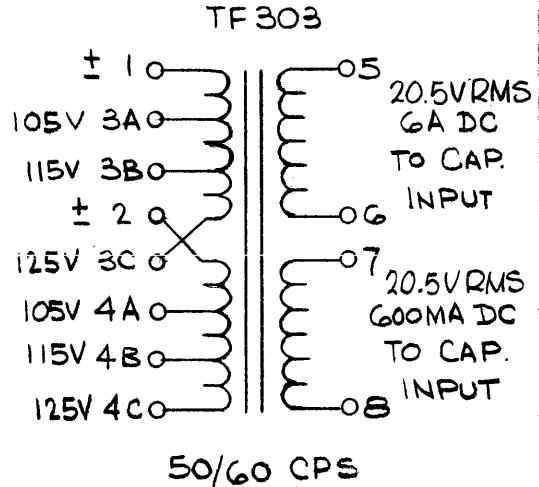


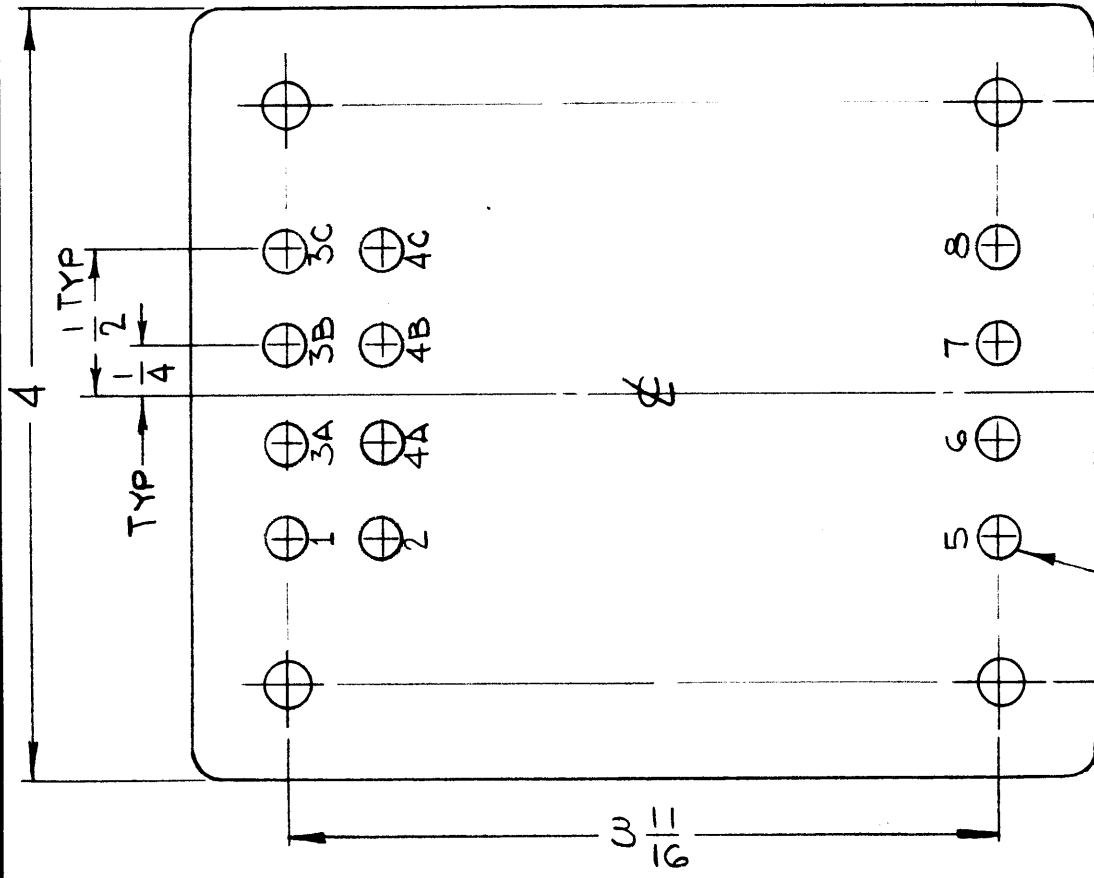
TO BE PLACED ON TOP OF TRANSFORMER

THE TECHNICAL MATERIEL CORPORATION
MAMARONECK NEW YORK



50/60 CPS

1/4-20 STUD
4 REQ.



MARK ALL TERMINALS

TF 303

REVISIONS						
SYM	DESCRIPTION	DATE	E.M.N. NO.	DRAFT	CHKD	APPD
X	EXPERIMENTAL RELEASE	3-1-65		H.A.	J.M.	NL
Ø	ORIGINAL RELEASE FOR PRODUCTION	3-11-65	AA	H.A.	J.M.	

CASE DATA:

- A. HERMETICALLY SEALED
- B. FULLY ENCLOSED
- C. GRAY (FINISH)
- D. MATERIAL STEEL, HOT TIN DIPPED

PRIMARY WINDING

- A. 105, 115, 125V
- B. 50/60 CPS
- C. SINGLE PHASE

SECONDARY WINDINGS

- A. 20.5: 20.5 V
- B. 6ADC; 600MADC

TERMINAL DATA

- A. QUANTITY 12
- B. SOLDER LUG

MARKING: SCHEMATIC TO BE STAMPED IN BLACK, LETTERING GOTHIC, AS PER TMC SPEC. S727 LOCATED AS SHOWN.

REQ'D.	ITEM	PART NUMBER	DESCRIPTION	SYMBOL
EATON LIST OF MATERIAL				
MATERIAL		SEE SPEC	THE TECHNICAL MATERIEL CORP. MAMARONECK, NEW YORK	
FINISH		SEE SPEC	TITLE TRANSFORMER, POWER	
UNLESS OTHERWISE SPECIFIED DIMENSIONS ARE IN INCHES AND INCLUDE CHEMICALLY APPLIED OR PLATED FINISHES		DRAWN H. AUSTIN	DATE 3-1-65	FINAL APPROVAL <i>[Signature]</i>
DECIMALS .X ± .05 .XX ± .01 .XXX ± .005		CHECKED <i>[Signature]</i>	DATE 3/11/65	DATE 3/23/65
FRACTIONS ± 1/64 ANGLES ± 0° 30'		ELECT. DES. <i>[Signature]</i>	DATE 3/12/65	DATE
TOLERANCES		MECH. DES.	DATE	DATE
			SHEET	REV. LTR.

Q'TY./UNIT	RTIA-1	MODEL USED ON	ASS'Y. NO.
SCALE	1:1	CODE	C
			S401-30 (6344)

THE CONTENTS OF THIS DRAWING ARE THE EXCLUSIVE PROPERTY OF THE TECHNICAL MATERIEL CORP. ITS UNAUTHORIZED USE OR REPRODUCTION IN WHOLE OR IN PART IS STRICTLY FORBIDDEN.

NOTES