

IF IT IS FOUND DESIRABLE TO CHANGE ANY TOLERANCE OR OTHER DETAIL SPECIFIED ON THIS DRAWING NOTIFY THE PURCHASER PROMPTLY.
 MAXIMUM ALLOWABLE TOLERANCES HAVE BEEN DETERMINED AND DEVIATIONS WILL BE CAUSE FOR REJECTION. REMOVE ALL BURRS AND SHARP EDGES

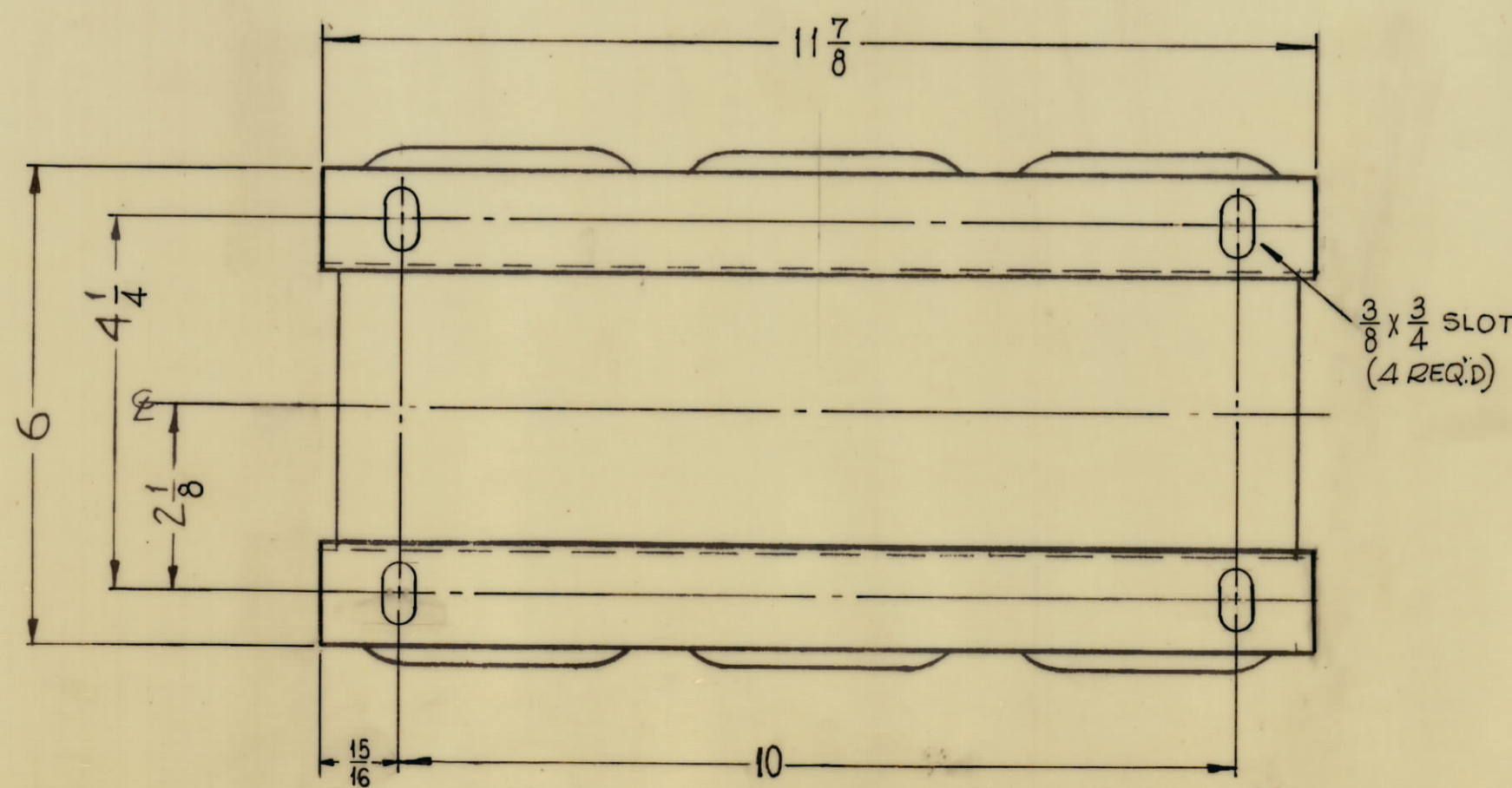
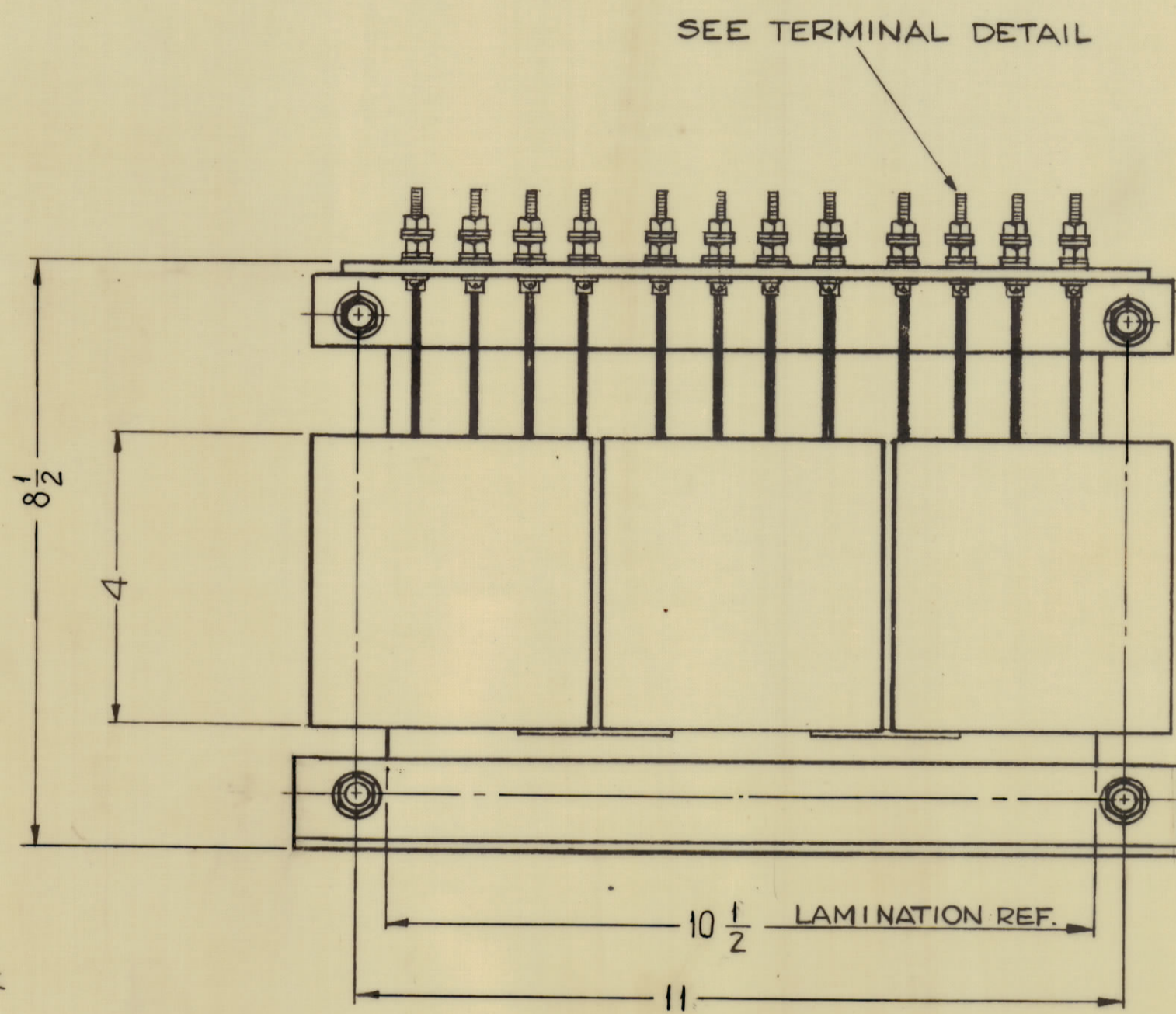
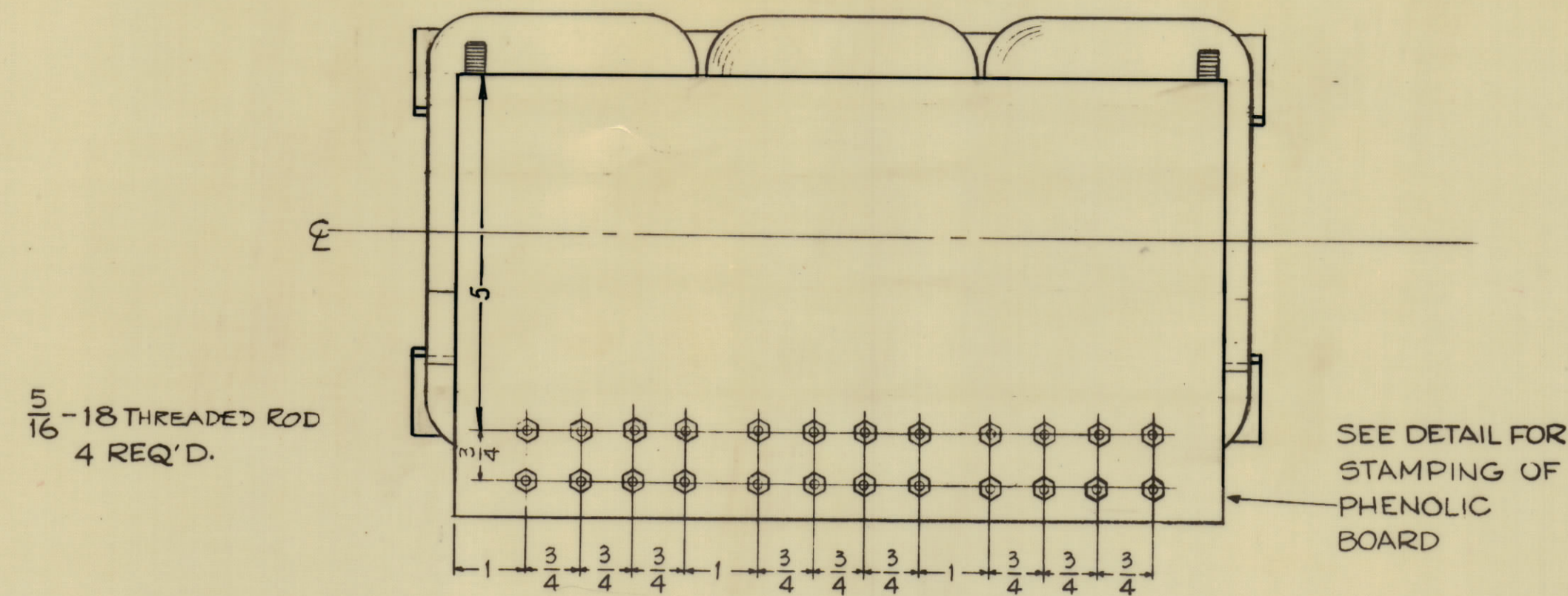
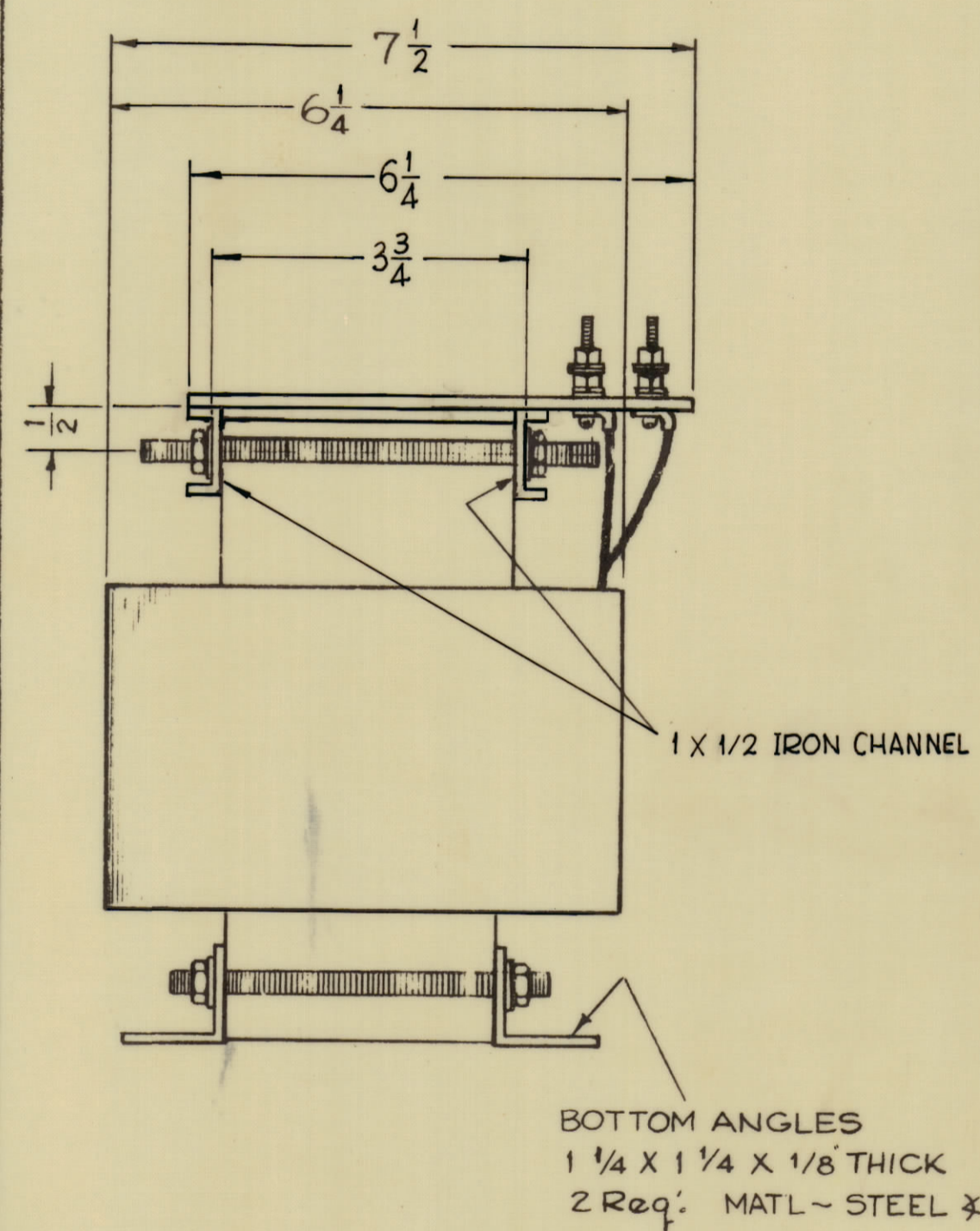
ELECTRICAL SPECIFICATIONS

THREE WINDINGS
 INPUT - 200, 210, 220, 230, 240, 250, 380 VAC
 50/60 CPS (3 PHASE)
 CURRENT RATING - 25 AMPS EACH PHASE
 INSULATION - EACH WINDING INSULATED FOR 1500 VOLTS

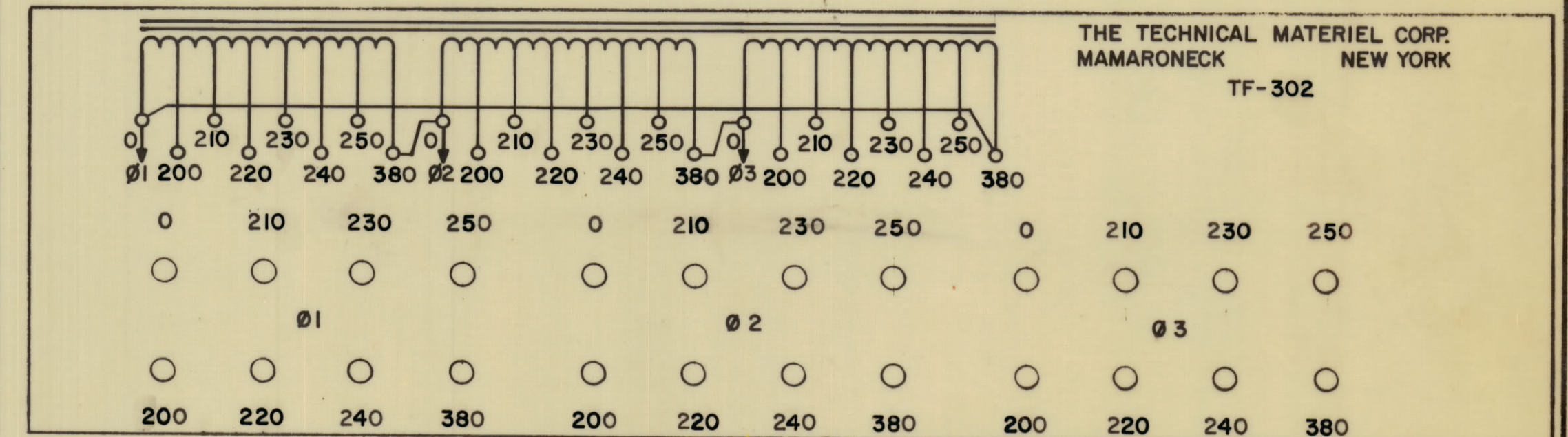
MECHANICAL SPECIFICATIONS

CONSTRUCTION - OPEN FRAME TYPE
 FINISH - TMC SMOOTH GRAY ENAMEL (S-115)
 EXCEPT TERMINAL BOARD AND TERMINALS

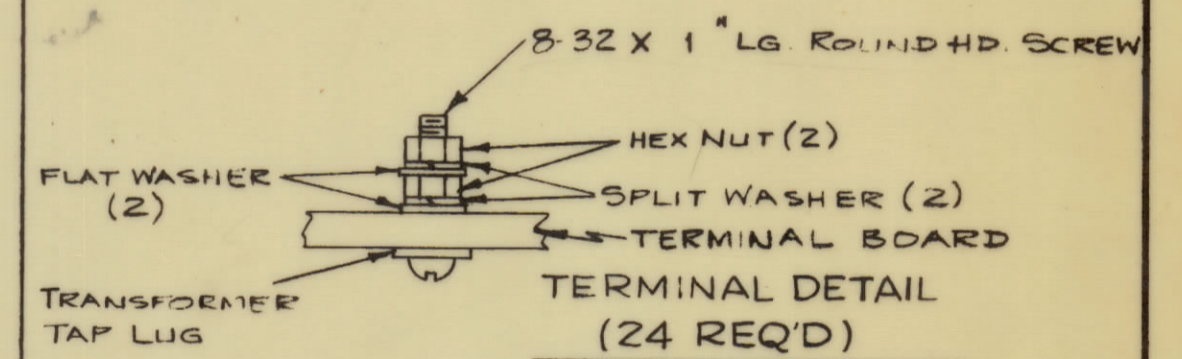
NOTE - MANUFACTURED IN ACCORDANCE WITH MIL SPEC T-27-A EXCEPT THAT MIL SPEC T-27-A SHALL NOT APPEAR ON CASE AND QUALIFICATION TESTING IS NOT REQUIRED.



NOTE -
 1 - MAT'L - BLACK PHENOLIC, 3/16 THICK
 2 - ALL LETTERING 1/8" HIGH, WHITE GOTHIC.



- STAMPING DETAIL -



8	ORIGINAL RELEASE FOR PRODUCTION	10-13-64	12	12	12
X	EXP. RELEASE	10-6-64	X	12	12
ISSUE	ITEM	CHANGED FROM	DATE	CN. NO.	DRAFTS CHECKER
TOLERANCES		SCALE: 1/2" = 1" (DO NOT SCALE)			
ALL OTHERS	DEC. DIM. ±	FRAC. DIM. ±	ANGULAR DIM. ±	A	
DRILL PUNCH COMMERCIAL STOCK SIZES AND MANUFACTURERS TOLERANCES ARE NOT INCLUDED.					

1	GPT40K	PROJECT NO.	ASSY. NO.	DATE
REQ. PER UNIT	MODEL	PROJECT NO.	ASSY. NO.	DATE
USED ON				

REQ. ITEM	PART NO.	DESCRIPTION	SYMBOL
STOCK SIZE		THE TECHNICAL MATERIEL CORP. MAMARONECK, NEW YORK	
MATERIAL		AUTO TRANSFORMER THREE PHASE	
TYPE & TEMPER		SRG	
HEAT TREAT SPEC.		10-16-64	
FINISH & SPEC. NO.		401-30(BTC 3719) TF-302	