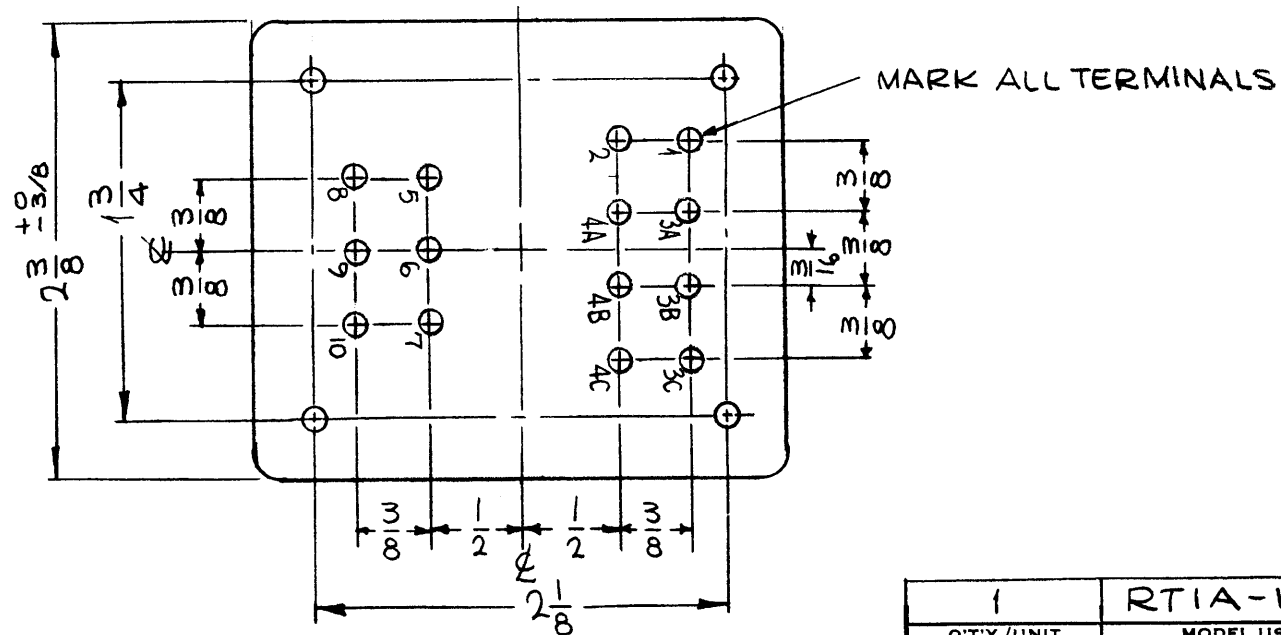
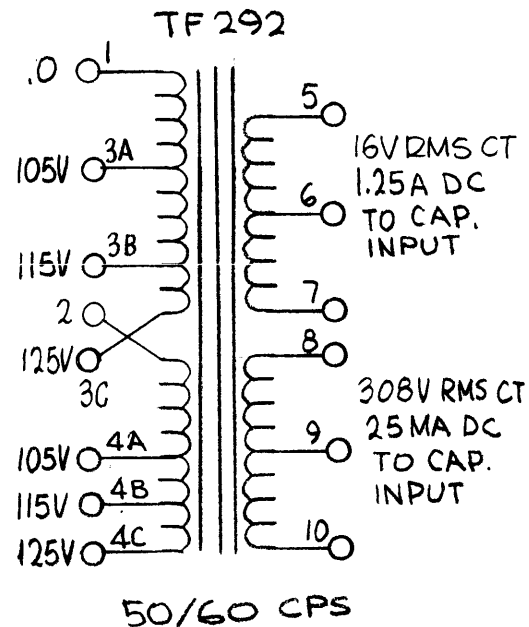


TO BE PLACED ON TOP OF TRANSFORMER

THE TECHNICAL MATERIEL CORPORATION
MAMARONECK NEW YORK



TF 292

REVISIONS

SYM	DESCRIPTION	DATE	E.M.N. NO.	DRAFT	CHKD	APPD
X	EXP. RELEASE	2-25-65	X	SRG	J.M	JL
Ø	ORIGINAL RELEASE FOR PRODUCTION	3-11-65	-M-	SRG	J.M	

CASE DATA:

- A. TOLERANCE ± 1/32
- B. FULLY ENCLOSED
- C. GRAY
- D. HERMETICALLY SEALED
- E. MATERIAL: STEEL HOT TIN DIPPED

PRIMARY WINDINGS:

- A. 105V, 115V, 125V
- B. 50/60 CYCLES

SECONDARY WINDINGS: (NO LOAD)

- A. 308 RMS CENTER TAPPED, 16V RMS
- B. 25 MA; 1.25A DC

TERMINAL DATA:

- A. QUANTITY 14
- B. SOLDER LUG

MARKING: SCHEMATIC TO BE STAMPED IN BLACK, LETTERING GOTHIC, AS PER TMC SPEC. S-727 LOCATED AS SHOWN.

REQ'D.	ITEM	PART NUMBER	DESCRIPTION	SYMBOL
--------	------	-------------	-------------	--------

EATON LIST OF MATERIAL

MATERIAL	SEE SPECS	THE TECHNICAL MATERIEL CORP. MAMARONECK, NEW YORK
FINISH	SEE SPECS	TITLE TRANSFORMER, POWER

UNLESS OTHERWISE SPECIFIED DIMENSIONS ARE IN INCHES AND INCLUDE CHEMICALLY APPLIED OR PLATED FINISHES		DRAWN	SRG	DATE	3/11/65	FINAL APPROVAL	<i>[Signature]</i>	DATE	3/23/65
DECIMALS	.X ± .05 .XX ± .01 .XXX ± .005	TOLERANCES	FRACTIONS	± 1/64 ANGLES ± 0° 30'	ELECT. DES.	<i>[Signature]</i>	DATE	3/12/65	TF 292
SHEET								Ø	REV. LTR.

NOTES

THE CONTENTS OF THIS DRAWING ARE THE EXCLUSIVE PROPERTY OF THE TECHNICAL MATERIEL CORP. ITS UNAUTHORIZED USE OR REPRODUCTION IN WHOLE OR IN PART IS STRICTLY FORBIDDEN.

1	RTIA-1	
Q'TY./UNIT	MODEL USED ON	ASS'Y. NO.
SCALE	1:1	
CODE	C	S401-30 (6240B)