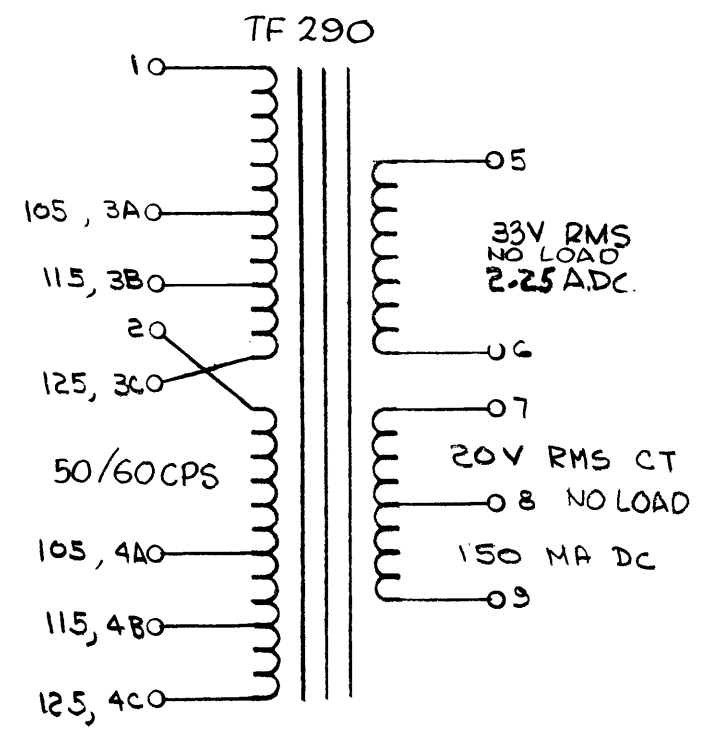
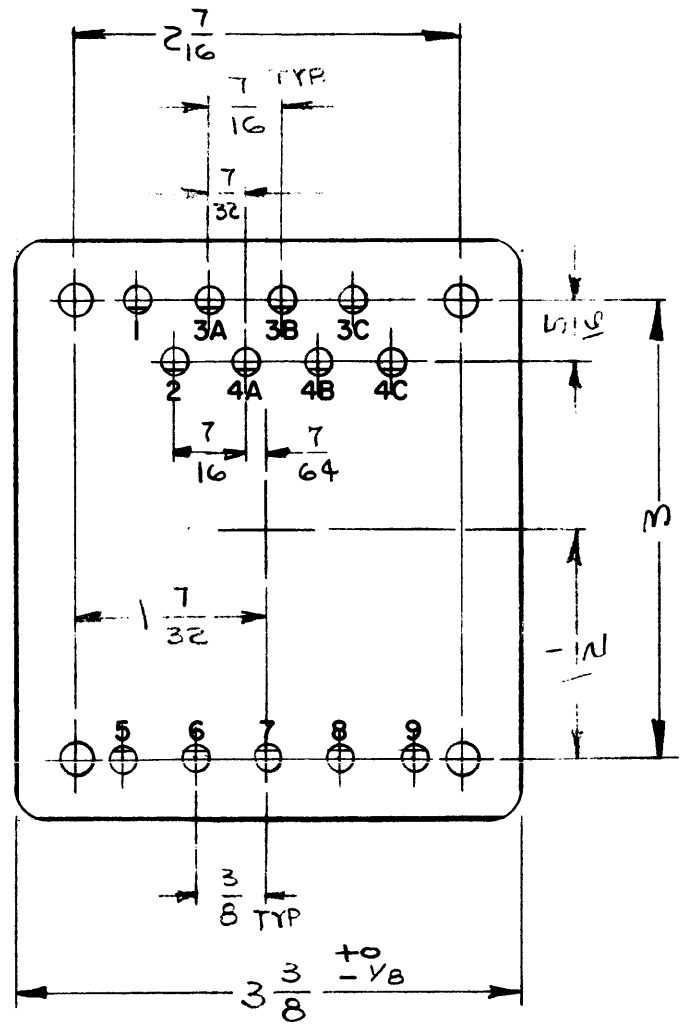


#10-32 MTG STUDS (4 REQ)
 TO BE PLACED ON TOP OF TRANSFORMER
 THE TECHNICAL MATERIEL CORPORATION
 MAMARONECK NEW YORK



NOTES

| | | |
|------------|---------------|----------------|
| 1 | RTPA-1 | |
| Q'TY./UNIT | MODEL USED ON | ASS'Y. NO. |
| SCALE | CODE | 5401-30 (6261) |

THE CONTENTS OF THIS DRAWING ARE THE EXCLUSIVE PROPERTY OF THE TECHNICAL MATERIEL CORP. ITS UNAUTHORIZED USE OR REPRODUCTION IN WHOLE OR IN PART IS STRICTLY FORBIDDEN.

TF 290

REVISIONS

| SYM | DESCRIPTION | DATE | E.M.N. NO. | DRAFT | CHKD | APPD |
|-----|---------------------------------|---------|------------|-------|------|------|
| Ø | ORIGINAL RELEASE FOR PRODUCTION | 3-29-65 | AA | BJ | J.M. | N.L. |

CASE DATA:

- A. FULLY ENCLOSED
- B. GRAY
- C. HERMETICALLY SEALED
- D. MATERIAL STEEL, HOT TINNED DIPPED

PRIMARY WINDINGS:

- A. 105V, 115V, 125V
- B. 50/60 CPS
- C. SINGLE

SECONDARY WINDINGS:

- A. 33V RMS, NO LOAD, 20V RMS NO LOAD
- B. 225A DC, 150MA DC

TERMINAL DATA:

- A. QUANTITY 13
- B. SOLDER LUG

MARKING:

- A. SCHEMATIC TO BE PLACED ON TOP OF TRANSFORMER.
- B. MARKING METHOD AS PER TMC SPEC S727.
- C. LETTER AND NUMERALS TO BE GOTHIC, ALL MARKING TO BE IN BLACK.

| REQ'D. | ITEM | PART NUMBER | DESCRIPTION | SYMBOL |
|---|------------|----------------|--|-----------|
| EATON LIST OF MATERIAL | | | | |
| MATERIAL | | | THE TECHNICAL MATERIEL CORP. MAMARONECK, NEW YORK | |
| FINISH | | | TITLE TRANSFORMER, POWER | |
| UNLESS OTHERWISE SPECIFIED DIMENSIONS ARE IN INCHES AND INCLUDE CHEMICALLY APPLIED OR PLATED FINISHES | | | | |
| DECIMALS | TOLERANCES | | FRACTIONS | |
| .X ± .05 | | | ± 1/32 | |
| .XX ± .01 | | | ANGLES | |
| .XXX ± .005 | | | ± 0° 30' | |
| DRAWN | DATE | FINAL APPROVAL | DATE | |
| <i>G. Sanchez</i> | 3-29-65 | <i>MT</i> | 4/5/65 | |
| CHECKED | DATE | DATE | | |
| <i>J.P.</i> | 3/29/65 | 4/5/65 | | |
| ELECT. DES. | DATE | DATE | | |
| <i>J.P.</i> | 4/5/65 | 4/5/65 | | |
| MECH. DES. | DATE | DATE | | |
| | | TF 290 | | Ø |
| SHEET | | | | REV. LTR. |