

STANDARD DRAWING

TF280

REVISIONS

SYM	DESCRIPTION	DATE	E.M.N. NO.	DRAFT	CHKD	APPD
Q	ORIGINAL RELEASE FOR PRODUCTION	1/9/67		WTO		

SPECIFICATIONS

ELECTRICAL:

INDUCTANCE: 14 HY
 DC CURRENT RATING: 2.5 A
 DC RESISTANCE:
 INSULATION TEST VOLTAGE: 15 KV

MECHANICAL:

CASE: COLD ROLLED STEEL
 FINISH: SMOOTH GREY ENAMEL (TMC SPEC S115) EXCEPT MTG STUD END

TERMINAL DATA:

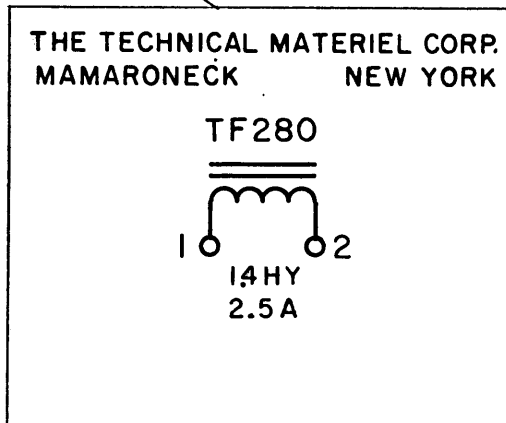
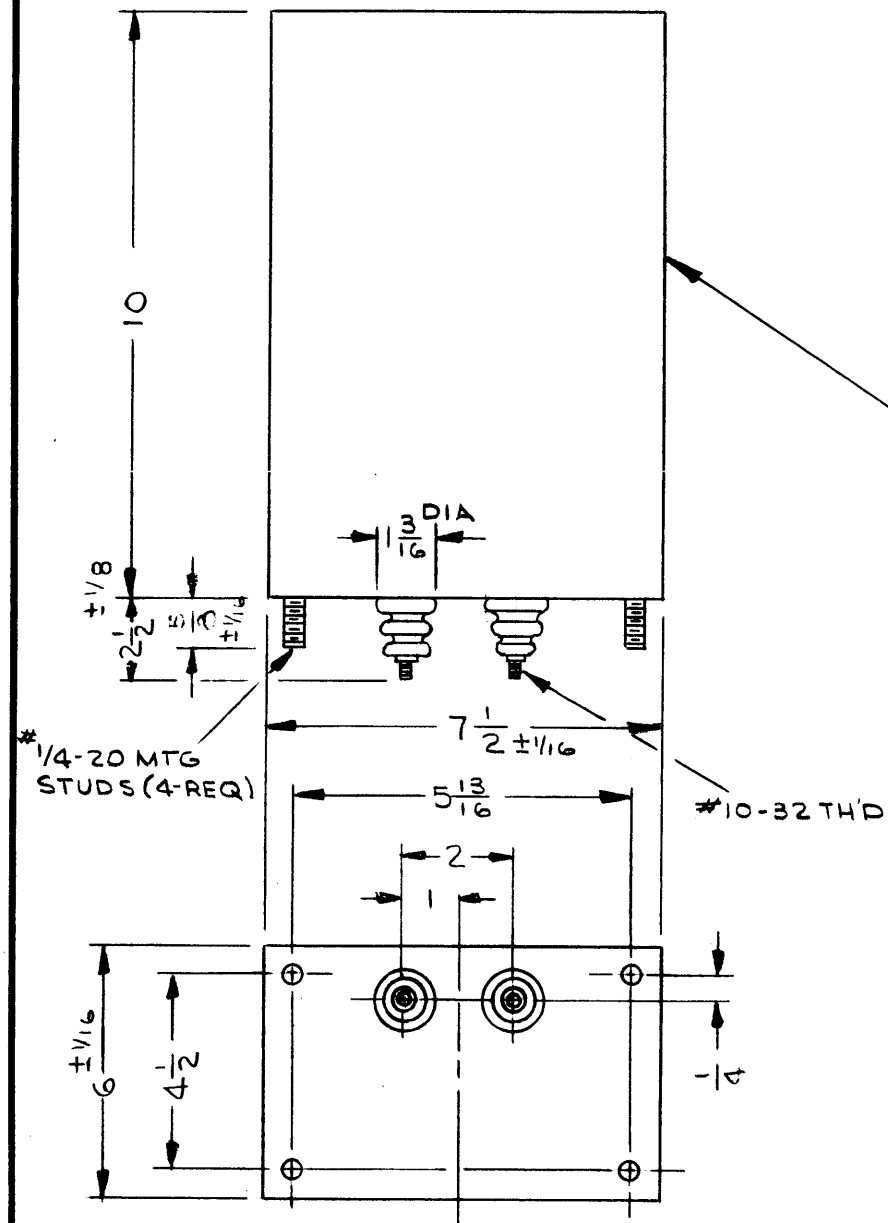
TYPE: PILLAR, THREADED STUD #10-32

STAMPING:

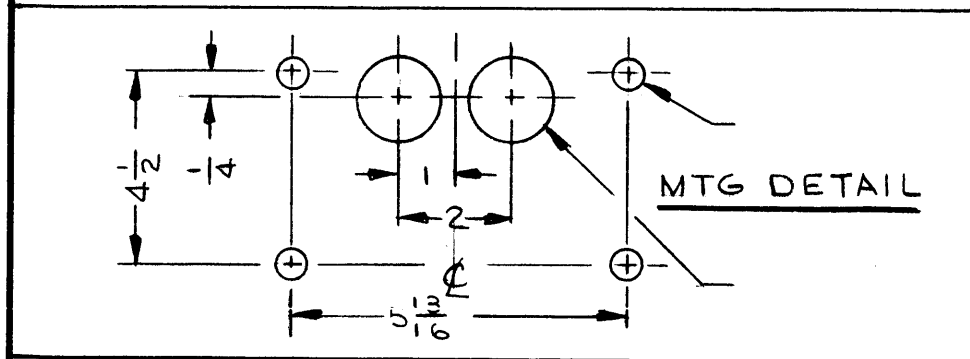
TERMINALS SHALL BE METAL STAMPED 1-2 AS SHOWN. SCHEMATIC
 DIAGRAM TO BE PLACED WHERE SHOWN. ALL LETTERING & LINEWORK TO
 BE IN ACCORDANCE WITH TMC SPEC S727.

NOTE:

MANUFACTURED IN ACCORDANCE WITH MIL SPEC T-27-A EXCEPT THAT
 MIL SPEC T-27-A SHALL NOT APPEAR ON CASE AND QUALIFICATION
 TESTING NOT REQUIRED



SCHEMATIC STAMP



NOTES

1	GPT-10KLF	
Q'TY./UNIT	MODEL USED ON	ASS'Y. NO.
SCALE	CODE	5401-30 (5596)

THE CONTENTS OF THIS DRAWING ARE THE EXCLUSIVE PROPERTY
 OF THE TECHNICAL MATERIEL CORP. ITS UNAUTHORIZED USE OR
 REPRODUCTION IN WHOLE OR IN PART IS STRICTLY FORBIDDEN.

REQ'D.	ITEM	PART NUMBER	DESCRIPTION	SYMBOL
BUDETTI LIST OF MATERIAL				
MATERIAL		THE TECHNICAL MATERIEL CORP. MAMARONECK, NEW YORK		
FINISH		TITLE CHOKE, FILTER		
UNLESS OTHERWISE SPECIFIED DIMENSIONS ARE IN INCHES AND INCLUDE CHEMICALLY APPLIED OR PLATED FINISHES		DRAWN J. LESHINSKI	DATE 10/14/66	FINAL APPROVAL <i>[Signature]</i>
DECIMALS .X ± .05 .XX ± .01 .XXX ± .005		CHECKED <i>[Signature]</i>	DATE 11/29/66	DATE 1/11/67
TOLERANCES ± 1/64 ANGLES ± 0° 30'		ELECT. DES. <i>[Signature]</i>	DATE	TF280
		MECH. DES. <i>[Signature]</i>	DATE	REV. LTR.
		SHEET		