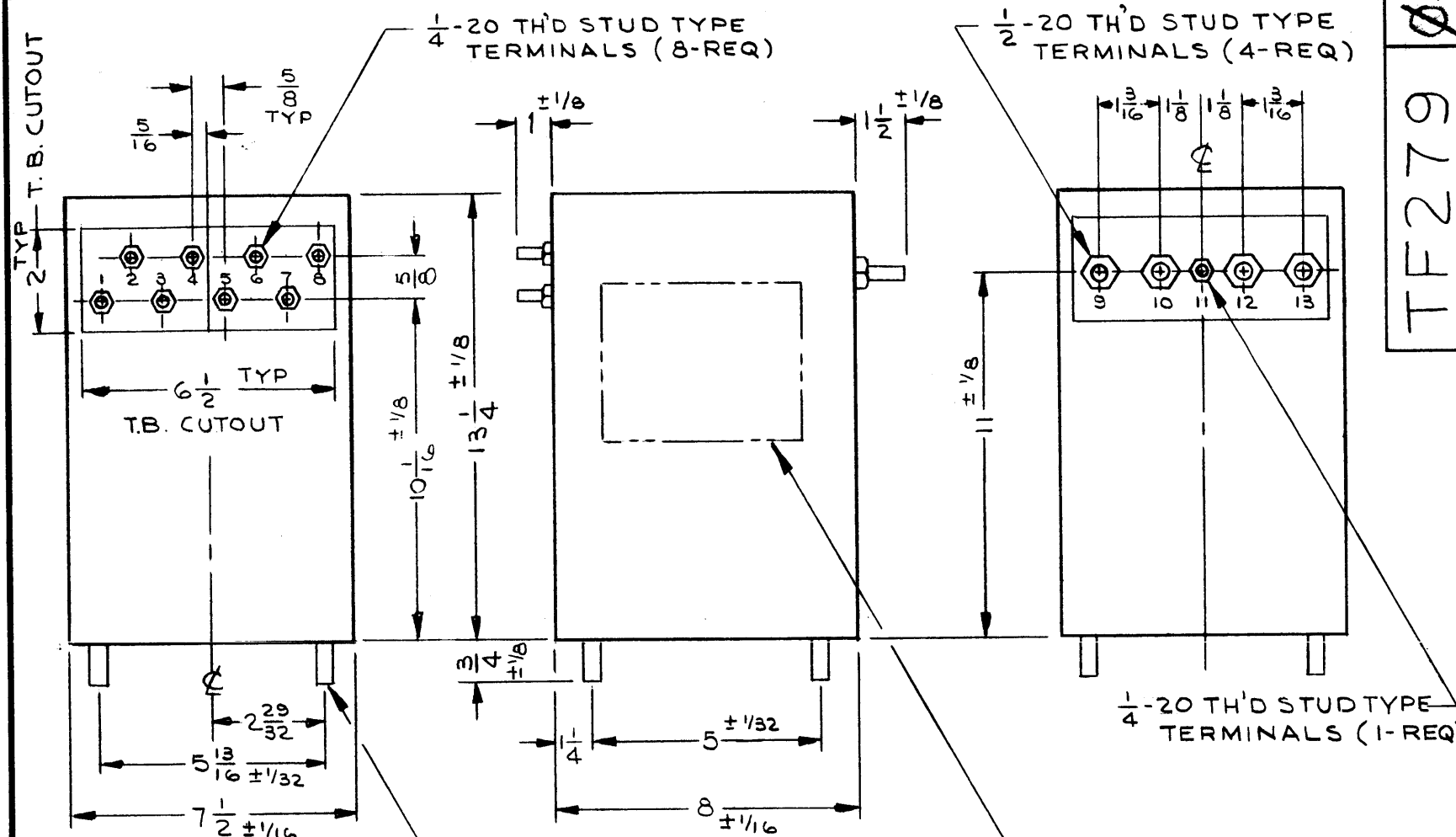


# STANDARD DRAWING



TF279

REVISIONS					
SYM	DESCRIPTION	DATE	E.M.N. NO.	DRAFT	CHKD
X <sub>1</sub>	ADDED T.B. CUTOUT REF.; NO LOAD VOLTAGE	1/9/66		JL	
X <sub>2</sub>	CHG'D 15/16 TO 1 ± 1/8 & 1 1/16 TO 1 1/2 ± 1/8	1-9-67		RME	
Ø	ORIGINAL RELEASE FOR PRODUCTION	1/10/67	Ø	CV	

- SPECIFICATIONS -

1. PRIMARY WINDING:
  - A. VOLTAGE: 190, 200, 210, 220, 230, 240, 250 V
  - B. FREQUENCY: 50/60 Hz
  - C. PHASE: 1
2. SECONDARY WINDING:
  - A. FULL LOAD:
    - 1. VOLTAGE: 6.5 VAC CT
    - 2. CURRENT: 320 AMPS
  - B. NO LOAD VOLTAGE 6.7 V
3. BREAKDOWN VOLTAGE: 1500 VAC
4. CASE DATA:
  - 1. HERMETICALLY SEALED: NO
  - 2. CASE TYPE: STEEL CASE
5. TERMINAL DATA:
  - 1. NO. OF TERMINALS: 13
  - 2. TYPE: 9-(1/4-20THD STUD), 4-(1/2-20THD STUD)
6. FINISH: SMOOTH GRAY ENAMEL (TMC SPEC S115)
7. MARKING:
  - 1. ALL TERMINALS TO BE METAL STAMPED 1/8 HIGH GOTHIC
  - 2. SCHEMATIC STAMP MARKING TO BE PER TMC SPEC S727

NOTE: TO BE MANUFACTURED IN ACCORDANCE WITH MIL-T-27 EXCEPT THAT MIL-T-27 SHALL NOT APPEAR ON CASE & QUALIFICATION TESTING IN NOT REQUIRED.

**THE TECHNICAL MATERIEL CORPORATION**  
MAMARONECK NEW YORK

**TF 279**

**50/60 Hz**

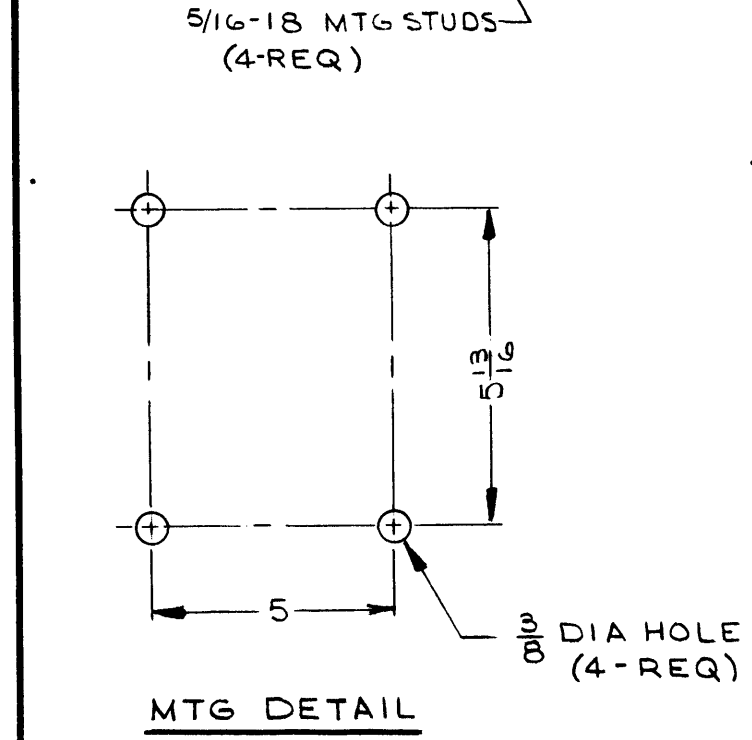
**6.5 VAC CT 320A**

**SCHEMATIC STAMP**

1	GPT-10KLF	
Q'TY./UNIT	MODEL USED ON	ASS'Y. NO.
SCALE	CODE	S401-30 (5595)

THE CONTENTS OF THIS DRAWING ARE THE EXCLUSIVE PROPERTY OF THE TECHNICAL MATERIEL CORP. ITS UNAUTHORIZED USE OR REPRODUCTION IN WHOLE OR IN PART IS STRICTLY FORBIDDEN.

REQ'D.	ITEM	PART NUMBER	DESCRIPTION	SYMBOL
BUDETTI LIST OF MATERIAL				
MATERIAL			<b>THE TECHNICAL MATERIEL CORP.</b> MAMARONECK, NEW YORK	
FINISH			TITLE TRANSFORMER, POWER - STEP DOWN	
UNLESS OTHERWISE SPECIFIED, DIMENSIONS ARE IN INCHES AND INCLUDE CHEMICALLY APPLIED OR PLATED FINISHES			DRAWN	DATE
			J. LESHINSKI	3/21/66
			CHECKED	DATE
			ELECT. DES.	DATE
			MECH. DES.	DATE
			FINAL APPROVAL	
			SHEET	REV. LTR.



**NOTES**