

SPECIFICATIONS:

TYPE - AUDIO OUTPUT

IMPEDANCE:

PRIMARY - 500 Ω, C.T.

SECONDARY - 4 Ω

DIRECT CURRENT - NOT RATED

MAX. AUDIO OPERATING LEVEL - 1 WATT

TURNS RATIO, PRIMARY TO SECONDARY - NOT RATED

FREQUENCY DATA:

FREQ. RANGE - 50 TO 10,000 CPS

DB VARIATION OVER FREQ RANGE - WITHIN 3DB.

CASE DATA:

TYPE - FULLY INCLOSED

MATERIAL - STEEL

FINISH - S-115, SMOOTH GRAY ENAMEL EXCEPT
TERMINAL END.

HERMETICALLY SEALED

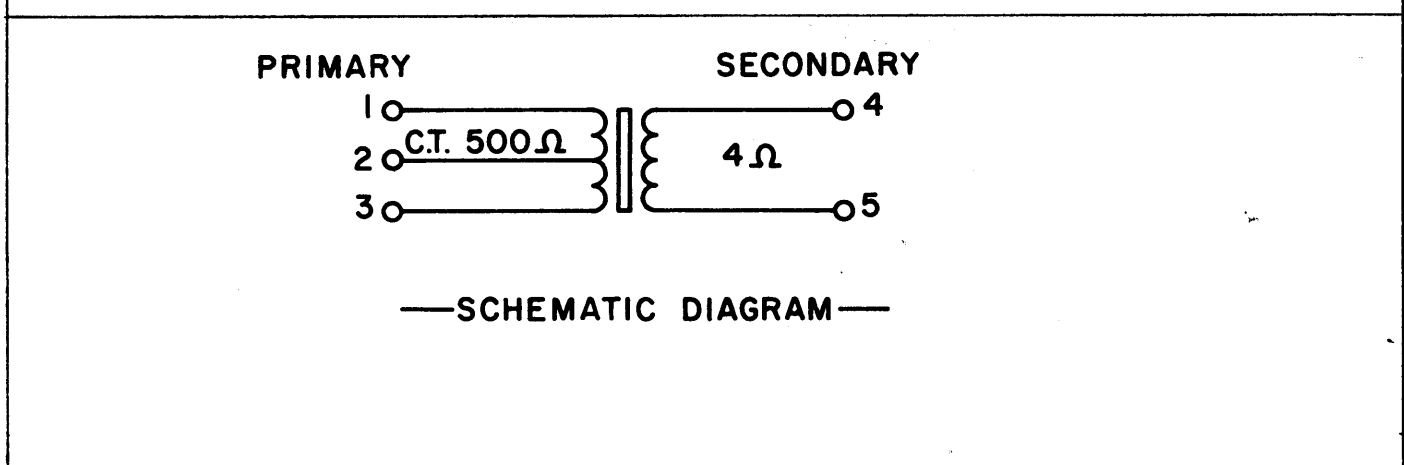
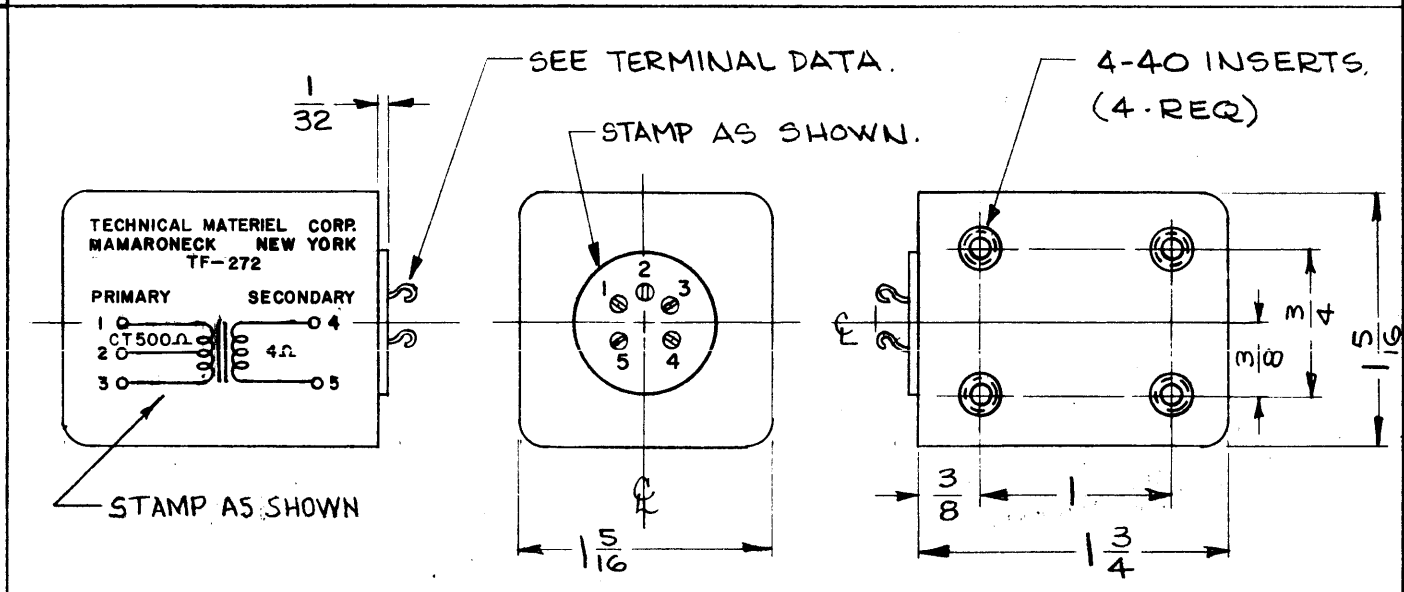
TERMINAL DATA:

QUANTITY - 5

TYPE - SOLDER STUDS

REVISIONS.						
SYM	DESCRIPTION	DATE	E.M.N. NO.	DRAFT	CHKD	APPD
O	ORIGINAL RELEASE FOR PRODUCTION	5-12-64	O	A.M.	(Signature)	
A	STAMP WAS "TMC PART NO."	9-25-64	12457	J.L.	(Signature)	

TF 272



REQ'D.	ITEM	PART NUMBER	DESCRIPTION	SYMBOL
M. GELLMAN LIST OF MATERIAL				
MATERIAL			THE TECHNICAL MATERIEL CORP. MAMARONECK, NEW YORK	
SEE CASE DATA SPEC.			TITLE TRANSFORMER, AUDIO OUTPUT	
FINISH			DRAWN: <i>[Signature]</i> DATE: 8-9-63	
SEE CASE DATA SPEC			CHECKED: <i>[Signature]</i> DATE: 5-7-64	
UNLESS OTHERWISE SPECIFIED DIMENSIONS ARE IN INCHES AND INCLUDE CHEMICALLY APPLIED OR PLATED FINISHES			FINAL APPROVAL: <i>[Signature]</i> DATE: _____	
DECIMALS .X ± .05 .XX ± .01 .XXX ± .005			ELECT. DES. <i>[Signature]</i> DATE: 5-7-64	
FRACTIONS ± 1/64 ANGLES ± 0° 30'			MECH. DES. <i>[Signature]</i> DATE: _____	
TOLERANCES			SHEET: TF 272	
THE CONTENTS OF THIS DRAWING ARE THE EXCLUSIVE PROPERTY OF THE TECHNICAL MATERIEL CORP. ITS UNAUTHORIZED USE OR REPRODUCTION IN WHOLE OR IN PART IS STRICTLY FORBIDDEN.			REV. LTR. A	

1	VLR-1	AX-434
QTY./UNIT	MODEL USED ON	ASSY. NO.
NONE	C	8401-30

NOTES