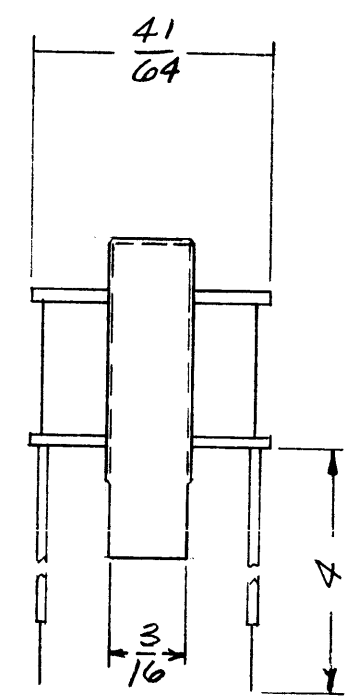
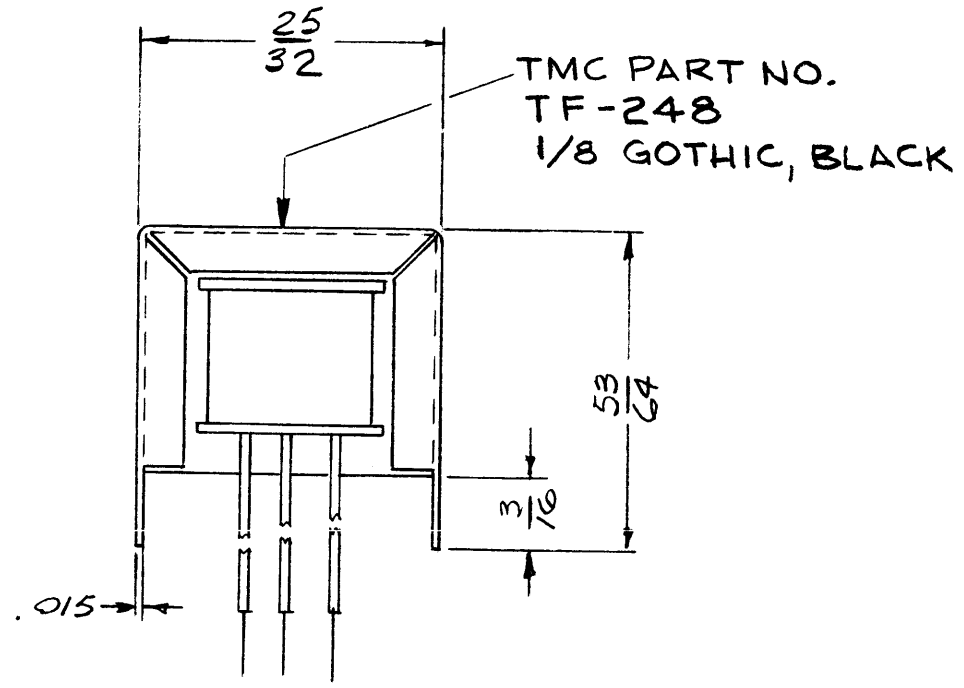


REVISIONS

SYM	DESCRIPTION	DATE	E.M.N. NO.	DRAFT	CHKD	APPD
-----	-------------	------	------------	-------	------	------

TF-248

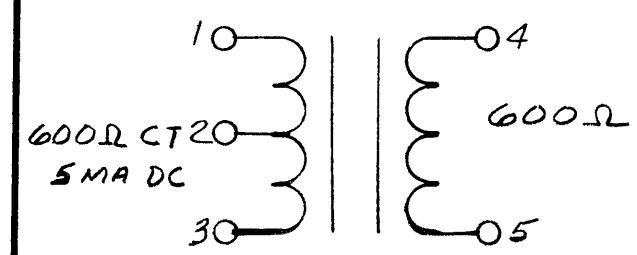


ELECTRICAL SPECIFICATIONS

PRIMARY IMPEDANCE:
600 OHMS CENTER TAP
SECONDARY IMPEDANCE:
600 OHMS
FREQUENCY RESPONSE:
150 CPS TO 5 KC WITHIN 3 DB
WITH 5 MA IN PRIMARY BALANCED
MAX. UNBALANCE: 1 MA.
POWER LEVEL:
25 MW MIN.
DC RESISTANCE: PRI: 38 Ω, SEC: 50 Ω

MECHANICAL SPECIFICATIONS

20 AWG SOLID LEADS WITH REMOVABLE SLEEVING FOR PRINTED CIRCUIT USE.
ENCAPSULATE WITH STYPOL
STAMP TMC PART NO. & STAMP LEAD NOS. AS DESIGNATED



REQ'D.	ITEM	PART NUMBER	DESCRIPTION	SYMBOL
STRUMMER LIST OF MATERIAL				
MATERIAL			THE TECHNICAL MATERIEL CORP. MAMARONECK, NEW YORK	
FINISH			TITLE T 3 TRANSFORMER, INTERSTAGE, AUDIO	
UNLESS OTHERWISE SPECIFIED DIMENSIONS ARE IN INCHES AND INCLUDE CHEMICALLY APPLIED OR PLATED FINISHES			DRAWN T. RAMIREZ DATE 9/21/62	FINAL APPROVAL [Signature] DATE 11-27-62
DECIMALS .X ± .05 .XX ± .01 .XXX ± .005			CHECKED [Signature] DATE 10/16/62	DATE 11-27-62 TF-248
FRACTIONS ± 1/64 ANGLES ± 0° 30'			ELECT. DES. [Signature] DATE 11-27-62	SHEET
TOLERANCES 			MECH. DES. [Signature] DATE 11-27-62	REV. LTR.

Q'TY./UNIT 1	MODEL USED ON SPU-2	ASS'Y. NO. S401-30 (2718-25)
SCALE 2:1	CODE	
THE CONTENTS OF THIS DRAWING ARE THE EXCLUSIVE PROPERTY OF THE TECHNICAL MATERIEL CORP. ITS UNAUTHORIZED USE OR REPRODUCTION IN WHOLE OR IN PART IS STRICTLY FORBIDDEN.		

NOTES

THE TECHNICAL MATERIEL CORPORATION
MAMARONECK, NEW YORK