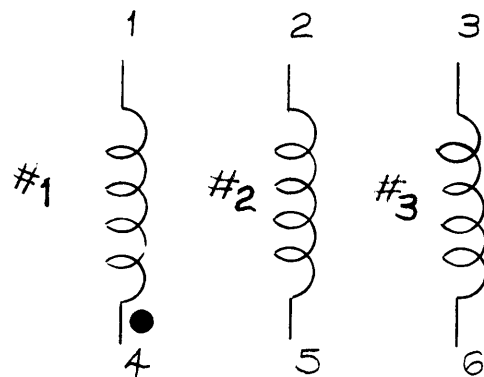


TF-220 B

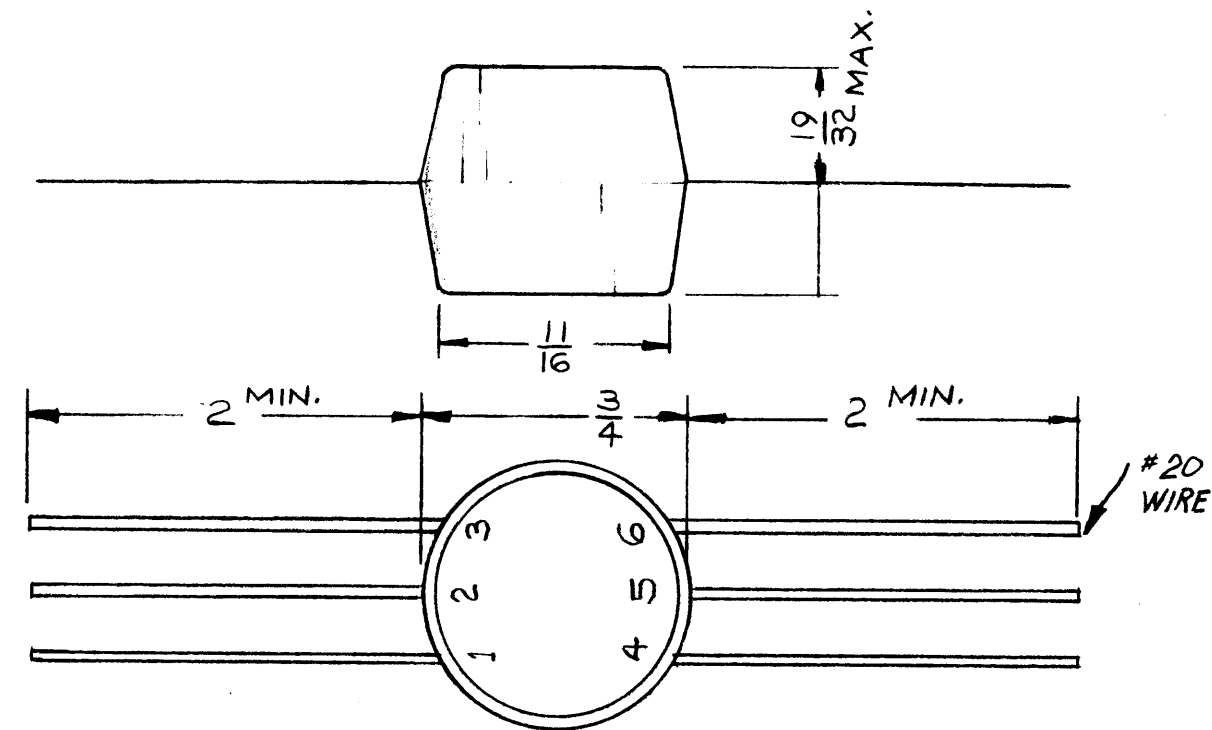
CHART A	
PRIMARY INDUCTANCE WINDING #1	
CODE	INDUCTANCE $\pm 20\%$
B	10 MH
G	22.0 MH
K	4.7 MH
O	1.0 MH
Q	0.47 MH
U	0.1 MH

CHART B	
TURNS RATIO	
CODE	RATIO $\pm 3\%$
1	1:1:1
3	3:1:1
5	5:1:1
13	3:3:1
15	5:5:1

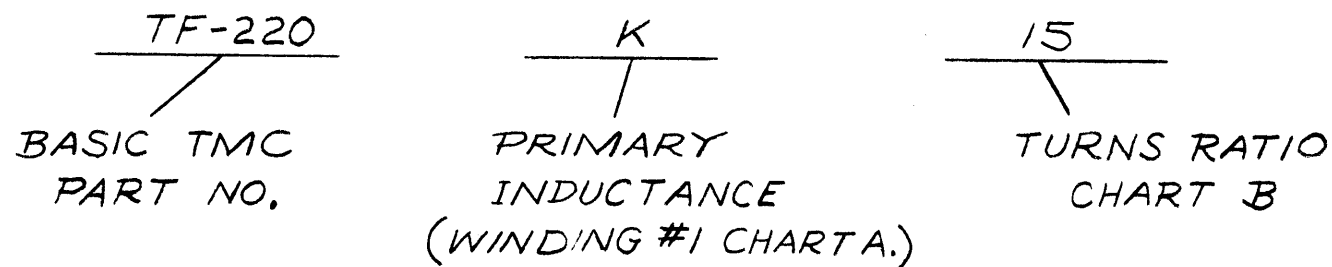


SCHEMATIC DIAGRAM

● INDICATES SWING SAME POLARITY



NOMENCLATURE SHALL BE IN THE FOLLOWING FORM:

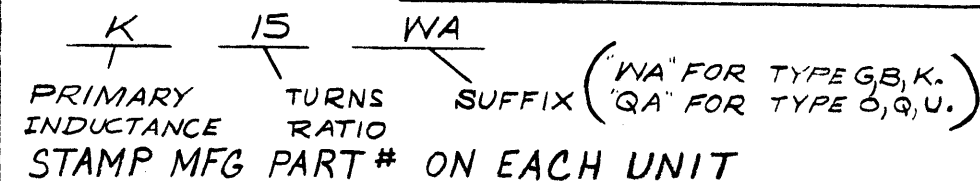


SPECIFICATIONS

UNIT MEETS GRADE 5, CLASS R OF MIL-T-27A (EXCEPT FLAMMABILITY).
 PULSE DURATION ~ 0.05 TO 25 μ SEC.
 PULSE REPETITION RATE ~ UP TO 10MC.
 WEIGHT ~ 1/3 OUNCE
 VOLTAGE RATING BETWEEN WINDING ~ 500 VOLTS RMS.
 CASE ~ EPOXY RESIN

PURCHASING NOTE:

MANUFACTURERS # AS FOLLOWS:



FORG TO PERSONS RECEIVING THIS DRAWING

THE TECHNICAL MATERIEL CORPORATION claims proprietary right in the material disclosed hereon. This drawing is issued in confidence for engineering information only and may not be reproduced or used to manufacture anything shown hereon without permission from THE TECHNICAL MATERIEL CORPORATION to the user. This drawing is loaned for mutual assistance and is subject to recall at any time.

Property of:
 THE TECHNICAL MATERIEL CORPORATION
 MAMARONECK, NEW YORK

ISSUE	ITEM	CHANGED FROM	DATE	CH. NO.	DRAFTS	CHECKER	ENG. APP.
B	7	PURSE ENERGY DELETED	10-7-60	2995	RV220	[Signature]	[Signature]
	6	ADDED EXCEPT FLAMMABILITY					
	5	MFG. PART NO. NOTE ADDED					
	4	#20 WIRE ADDED TO TRANS					
	3	FRAC DIM. 1/32 WAS 1/64.					
	2	ON CHART B $\pm 3\%$ WAS ADDED					
	1	ON CHART A $\pm 20\%$ WAS ADDED					
A	1	REDRAWN & REVISED	9-19-60			[Signature]	[Signature]

TOLERANCES: DEC. DIM. \pm 1/32, FRAC. DIM. \pm 1/32, ANGULAR DIM. \pm

SCALE: S401-94

MAXIMUM ALLOWABLE TOLERANCES HAVE BEEN DETERMINED AND ANY DEVIATIONS WILL BE CAUSE FOR REJECTION. REMOVE ALL BURRS AND SHARP EDGES

REQ PER UNIT	MODEL	PROJECT NO.	ASS'Y. NO.	DATE

REQ. ITEM	PART NO.	DESCRIPTION	SYMBOL
		THE TECHNICAL MATERIEL CORP. MAMARONECK, NEW YORK	
		TRANSFORMER, PULSE	
		MATERIAL	
		TYPE & TEMPER HEAT TREAT. SPEC.	
		FINISH & SPEC. NO.	

STOCK SIZE: [Blank]
 DRAWN: [Signature] CHECKED: [Signature] FINAL APPR VAL: [Signature]
 ELEC. DES. APP. MECH. DES. APP.