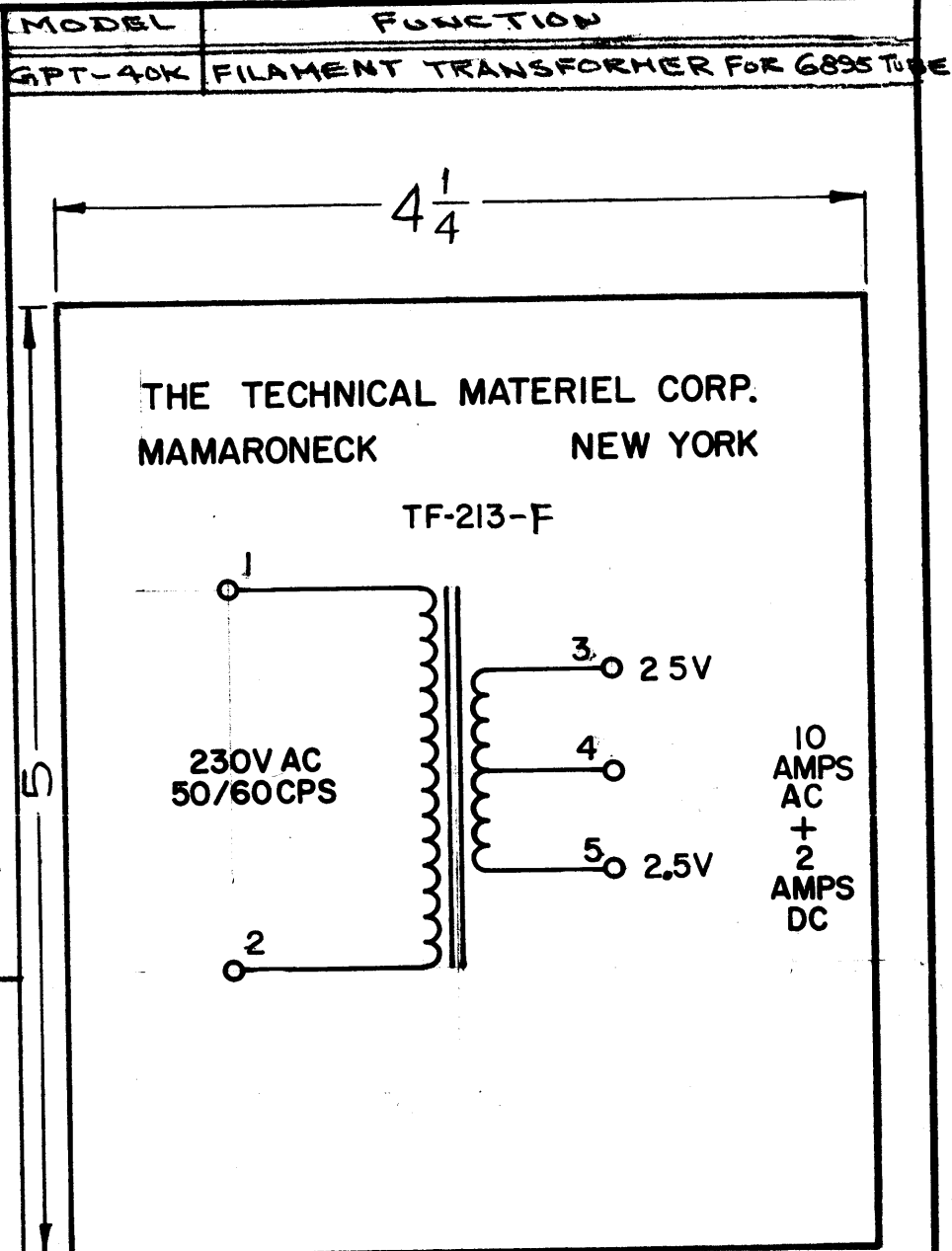
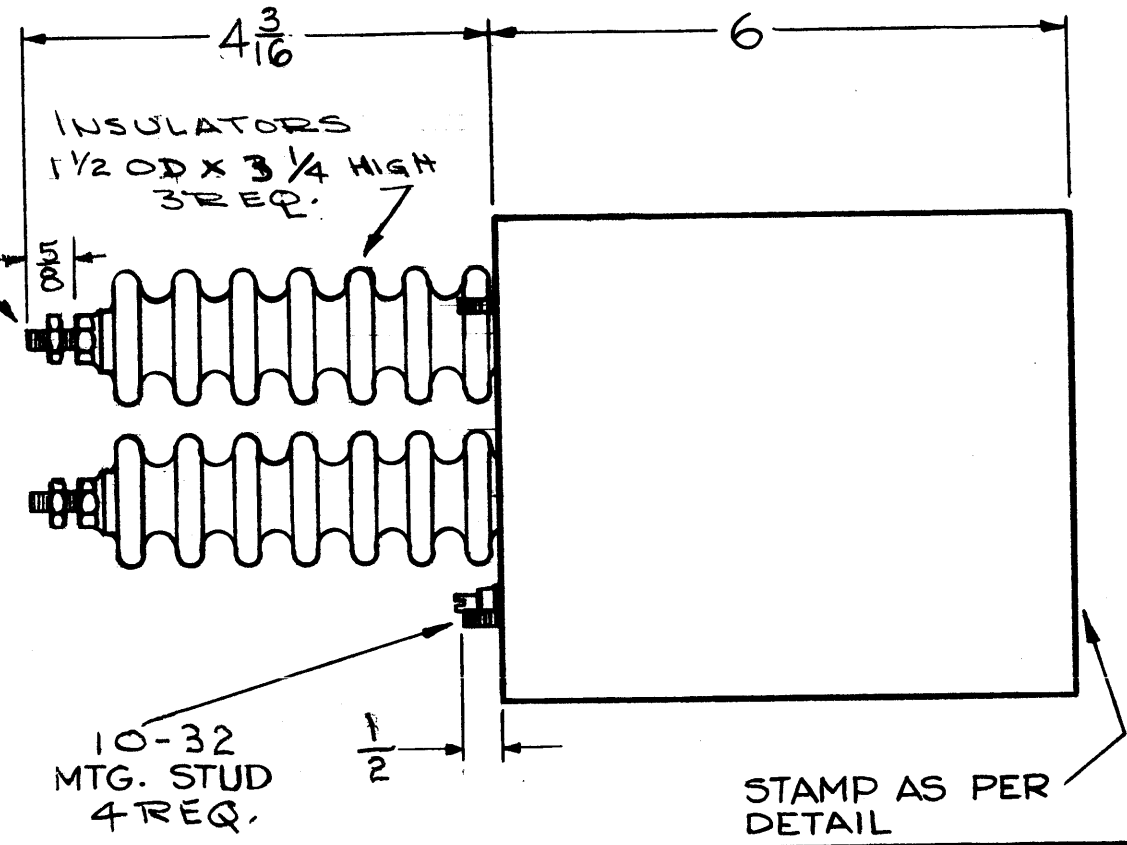
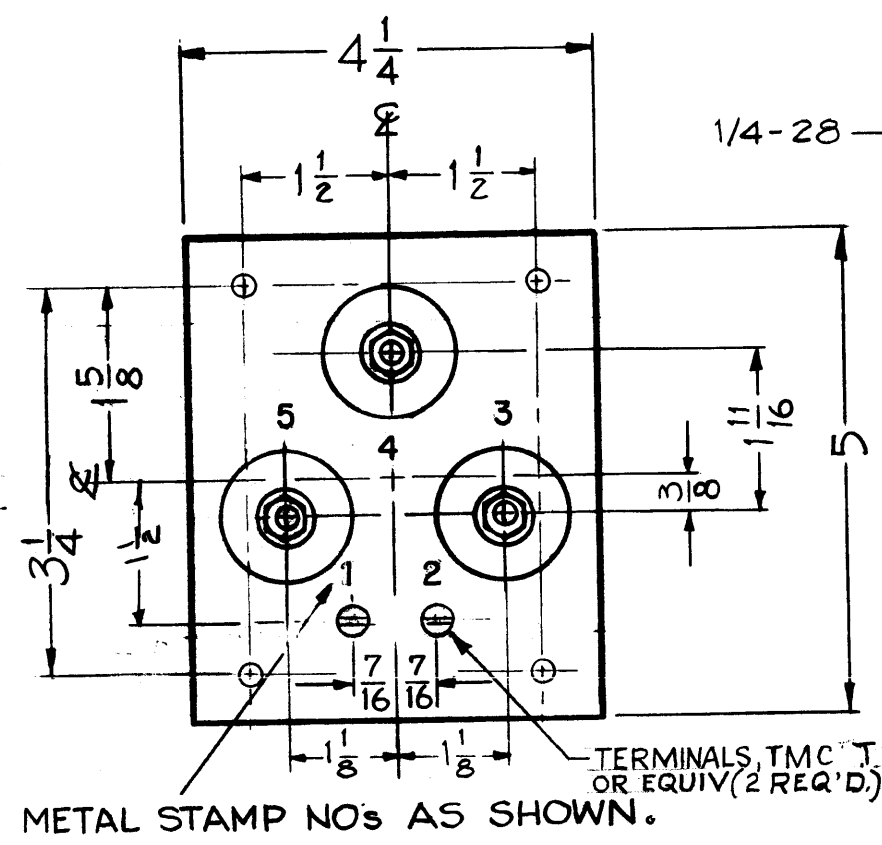


TF-213 H



NOTE: MANUFACTURED IN ACCORDANCE WITH MIL SPEC T-27-A EXCEPT THAT MIL SPEC T-27-A SHALL NOT APPEAR ON CASE AND QUALIFICATION TESTING IS NOT REQUIRED.

~ ELECTRICAL SPECIFICATIONS ~

Secondary: 5.0 Volt Centertapped  
10 Amp AC + 2 Amp DC  
Insulated for 25KV

~ MECHANICAL SPECIFICATIONS ~

Case: Rectangular, Steel, MIL Type YY, Hermetically Sealed.  
Finish: TMC Smooth Gray Enamel (TMC S-115) Except terminal end.  
Size: 5x4 1/4 x 6, Excluding Studs & Terminals.  
Stamping: Terminals shall be metal stamped 1-2-3-4-5 as shown opposite end shall be stamped in Black as shown  
POTTING COMPOUND: SAND AND WAX.

Stamping Detail  
Black Gothic

H	1	RECH. SPECS. POTTING COMPOUND ADD.	4-15-65	13889	LB	JWB	EM
G	1	TERM. WAS TE 101-3	8-10-64	12017	LB	JWB	EM
F	1	TERMINAL NOTE ADDED	4-15-64	11227	A.M.	JWB	EM
E	1	4 3/16 DIM. WAS 3 7/8	3-15-63	8575	RC	JWB	EM
D	1	DIM. 3 7/8 WAS 4 1/8	3-27-62	6543	G.S.	JWB	EM
C	1	1/4-28 STUD WAS 1/4-20	10-4-60	3133	DM	JWB	EM
B	1	NOTE ADDED (MIL T-27-A)	6-30-60	2572	JWB	JWB	EM
A	2	Mtg Studs Rel. cated	1/12/60	1751	J.C.B.	JWB	EM
A	1	+2AMPS DC WAS +6AMPS DC					

ISSUE	ITEM	CHANGED FROM	DATE	CH. NO.	DRAFTS	CHECKER	ENG. APP.
TOLERANCES			SCALE:				
DEC. DIM. ±			MAXIMUM ALLOWABLE TOLERANCES HAVE BEEN DETERMINED AND ANY DEVIATIONS WILL BE CAUSE FOR REJECTION. REMOVE ALL BURRS AND SHARP EDGES				
FRAC. DIM. ±							
ANGULAR DIM. ±							

6	GPT-40K			12-22-59
REQ. PER UNIT	MODEL	PROJECT NO.	ASS'Y. NO.	DATE
USED ON				

REQ. ITEM	PART NO.	DESCRIPTION	SYMBOL
		THE TECHNICAL MATERIEL CORP. MAMARONECK, NEW YORK	
STOCK SIZE		TRANSFORMER, POWER	
MATERIAL		DISTRIBUTION (Step-Down)	
TYPE & TEMPER		HEAT TREAT. SPEC.	DRAWN
			CHECKED
			FINAL APPROVAL
FINISH & SPEC. NO.		ELEC. DES. APP.	MECH. DES. APP.
		Em	JWB
			2B
		TF-213	H