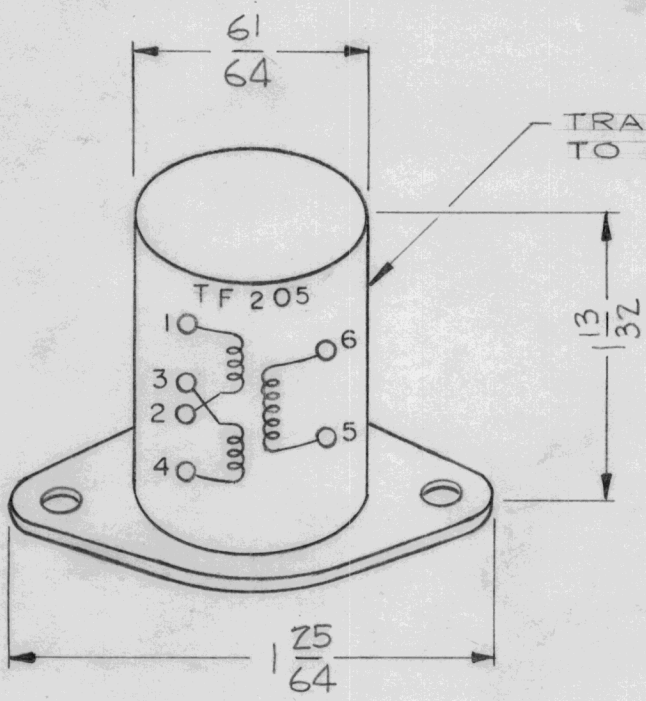


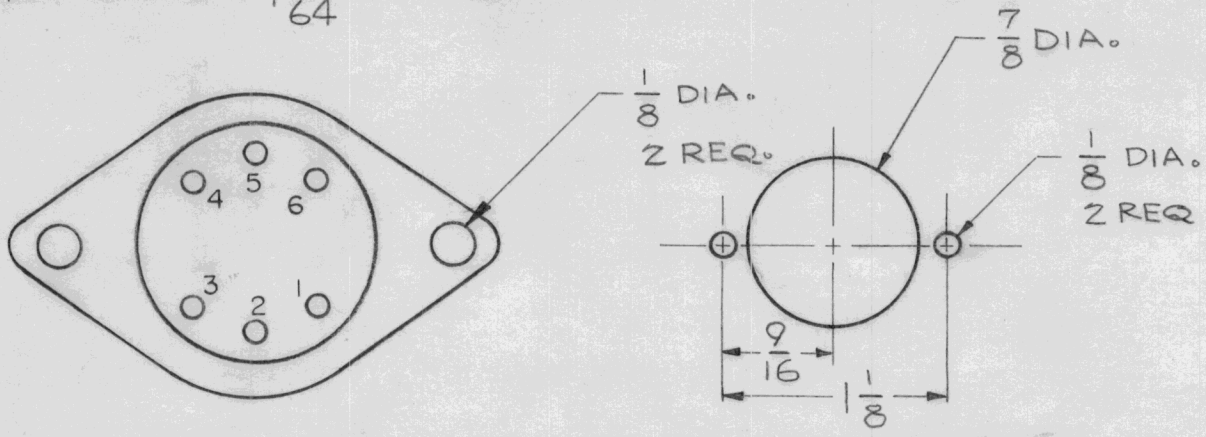
REQ. PER UNIT	USED ON		
	MODEL	ASS'Y. NO.	DATE
1	RSC-2		1-8-59

TF-205 A



TRANSFORMER NUMBER AND SCHEMATIC TO BE STAMPED ON SIDE OF CAN.

RECOMMENDED APPLICATION - 26/13:1 INPUT TO GRID.
 MILITARY TYPE - TF1A10YY.
 PRI. IMP. OHMS - 150/300.
 SEC. IMP. OHMS - 100K.
 D.C. IN PRI. MA - 0.
 RESPONSE $\pm 2db$ - 200 - 3,000 CPS.
 MAX. LEVEL dbm - +10.
 CASE: HERMETICALLY SEALED.
 FINISH: SMOOTH GRAY ENAMEL.



REQ.	ITEM	PART NO.	DESCRIPTION			SYMBOL								
			THE TECHNICAL MATERIEL CORP. MAMARONECK, NEW YORK											
			STOCK SIZE											
A	1		TRANSFORMER, AUDIO											
			MATERIAL											
ISSUE	ITEM	CHANGED FROM	DATE	CH. NO.	DRAFTS	CHECKER	ENG. APP.							
			1/26/59	723	J.C.B.	JHS	AMB							
TOLERANCES			SCALE:				J.C. BIELE	file	AMB					
DEC. DIM. \pm			MAXIMUM ALLOWABLE TOLERANCES HAVE BEEN DETERMINED AND ANY DEVIATIONS WILL BE CAUSE FOR REJECTION. REMOVE ALL BURRS AND SHARP EDGES				TYPE & TEMPER	HEAT TREAT. SPEC.	DRAWN	CHECKED	FINAL APPROVAL			
FRAC. DIM. \pm														
ANGULAR DIM. \pm														
							FINISH & SPEC. NO.	ELEC. DES. APP.	MECH. DES. APP.	TF-205	A			