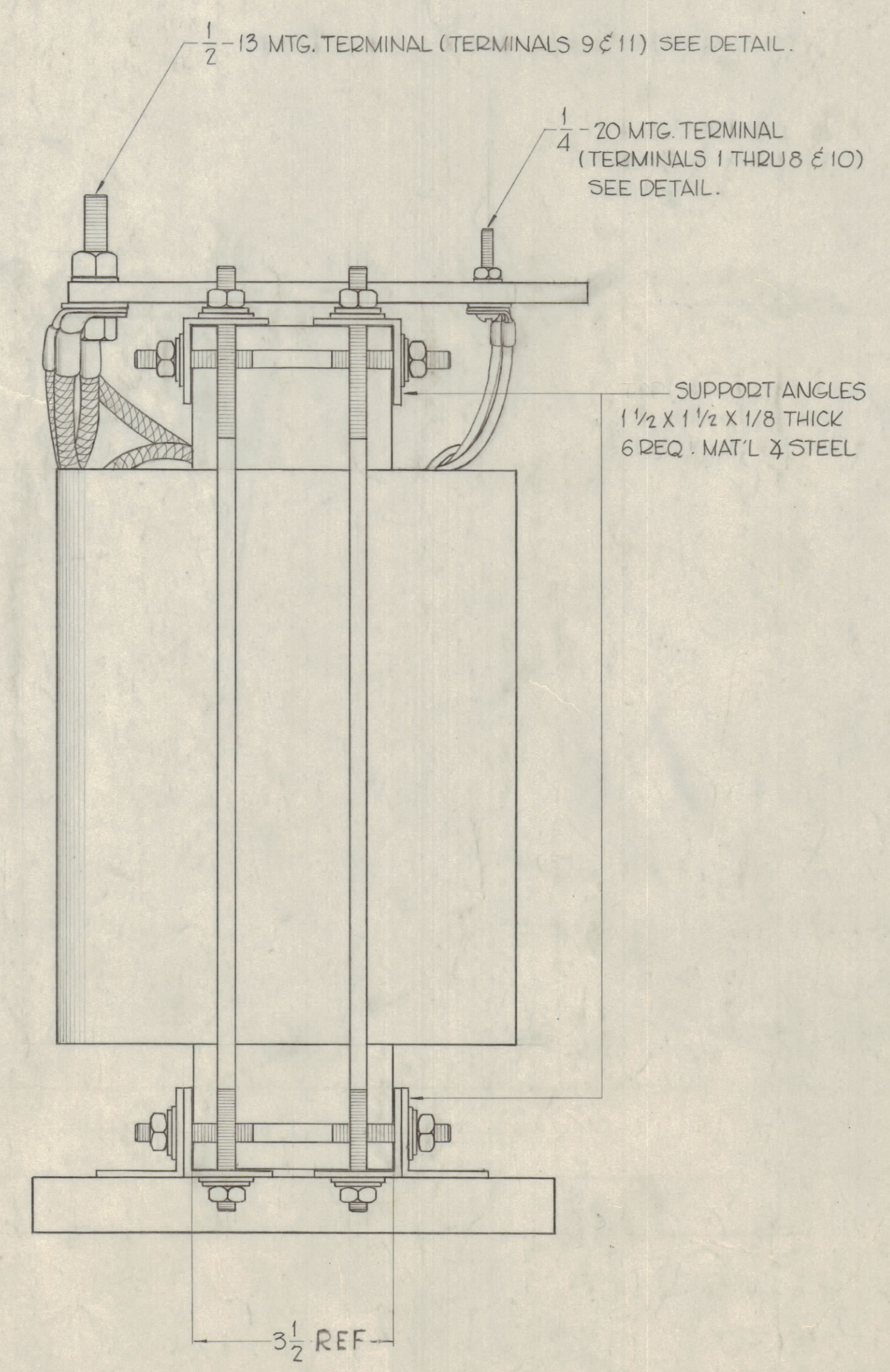
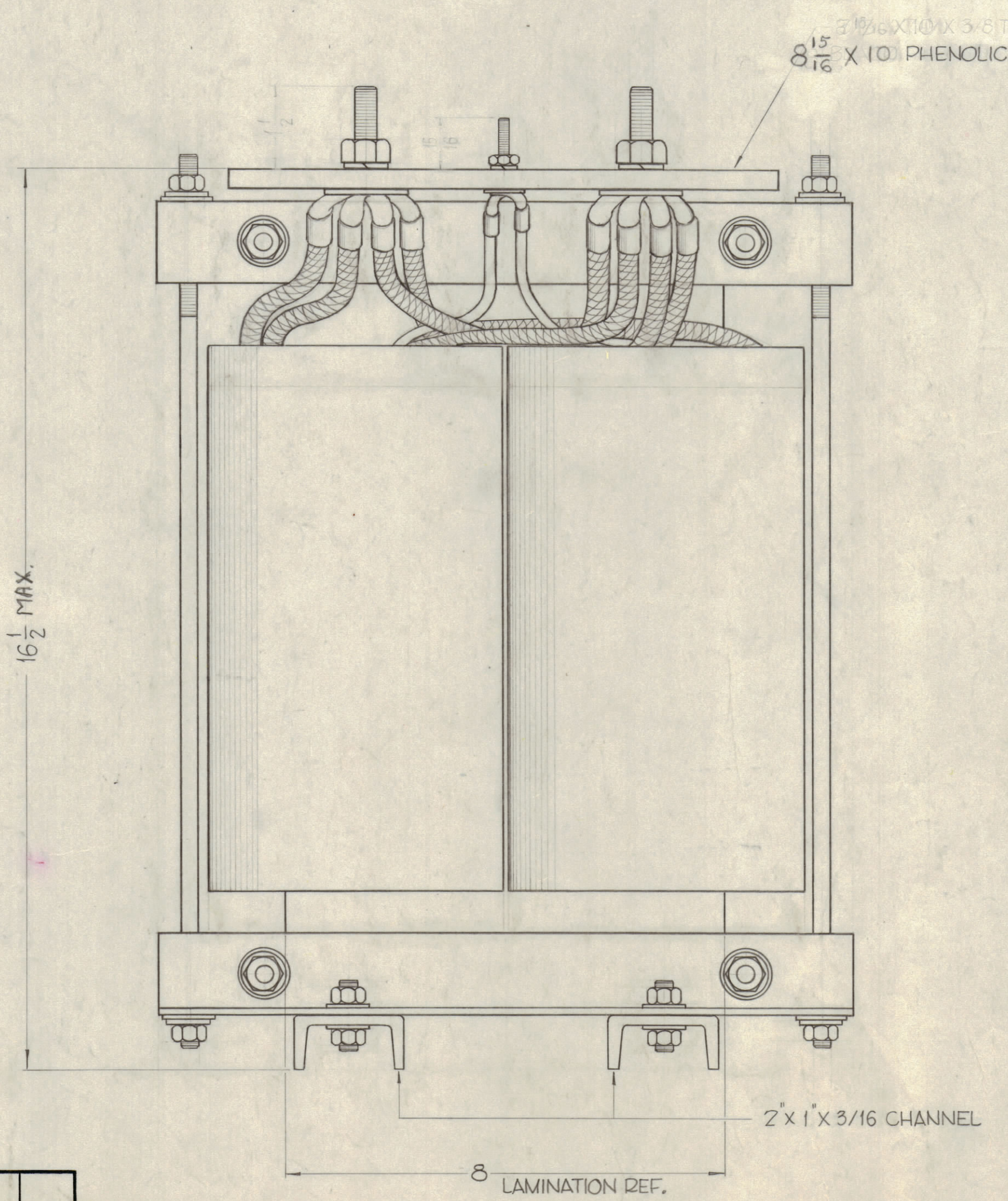
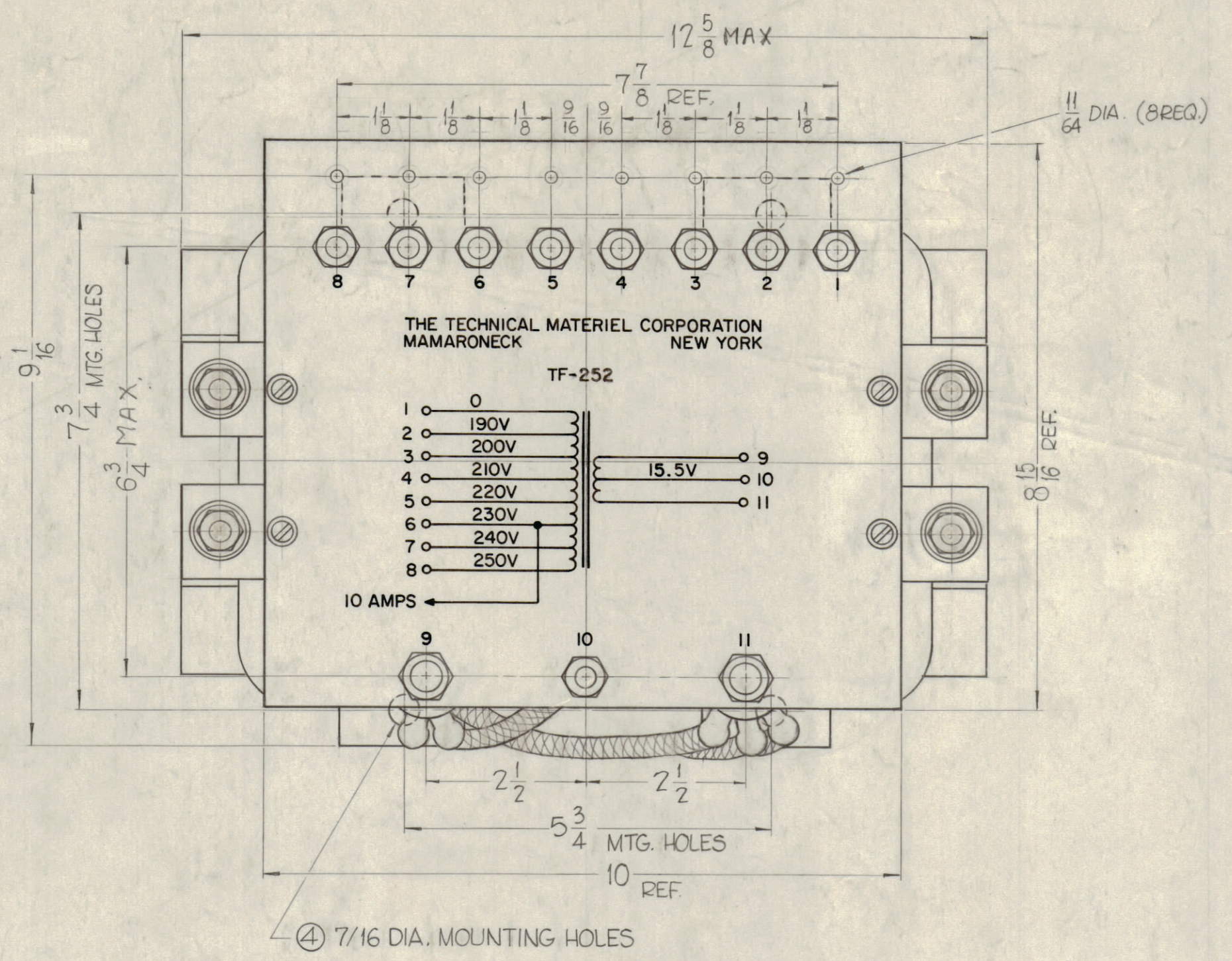


— MOUNTING DETAIL —



ELECTRICAL SPECIFICATIONS

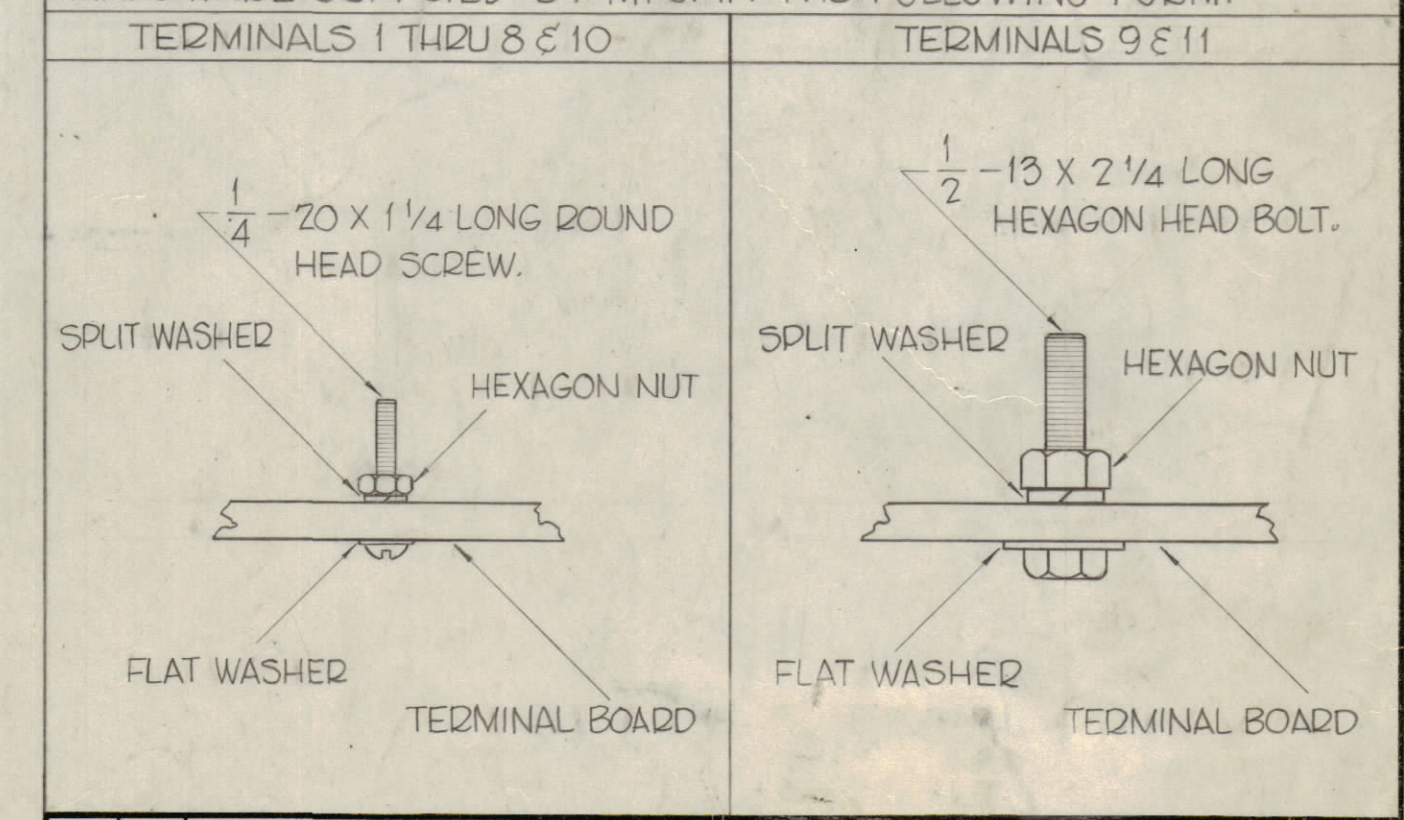
PRIMARY- ADJ. 190 - 250VAC, 50/60 CPS, ONE PHASE  
 SECONDARY- 15.5VAC  
 SECONDARY CURRENT- 450 AMPS.  
 SECONDARY INSULATION TO CASE - 6KV MINIMUM.

MECHANICAL SPECIFICATIONS

TYPE - OPEN FRAME, WITH CHANNELS AND ANGLES AS SHOWN.  
 FINISH - S197 BLACK MATTE, EXCEPT TERMINALS, ADD AND TERMINALS.  
 SIZE - 9 1/16 X 12 5/8 X 16 1/2 HIGH, EXCLUSIVE OF TERMINALS.  
 STAMPING - TERMINALS 1 THRU 11, SCHEMATIC AND LETTERING TO BE STAMPED AS SHOWN OF TRANSFORMER AS SHOWN.

NOTE - TRANSFORMER TO BE MANUFACTURED IN ACCORDANCE WITH MIL SPEC. T-27-A, EXCEPT THAT MIL SPEC T-27-A SHALL NOT APPEAR ON THE TRANSFORMER AND QUALIFICATION TESTING IS NOT REQUIRED.

HARDWARE SUPPLIED BY MFG. IN THE FOLLOWING FORM.



0	K	ORIGINAL RELEASE FOR PRODUCTION	5/26/62	0	A.M.
SYM	ZONE	DESCRIPTION	DATE	CH. NO.	DRAFTS CHECKER ENG. APP.
UNLESS OTHERWISE SPECIFIED:			SCALE		
DIMENSIONS ARE IN INCHES			MAXIMUM ALLOWABLE TOLERANCES HAVE BEEN DETERMINED AND ANY DEVIATIONS WILL BE CAUSE FOR REJECTION. REMOVE ALL BURRS & SHARP EDGES		
TOLERANCES ON FRACTIONS ± 1/64			DECIMALS ± .005		
ANGLES ± 1/2°					

2	GPT-200K	AX-394		6-11-62
REQ. PER UNIT	MODEL	SECTION	ASSY. NO.	DATE
USED ON				

REQ. ITEM	PART NO.	DESCRIPTION	SYMBOL
THE TECHNICAL MATERIEL CORP. MAMARONECK, NEW YORK			
TRANSFORMER, PA FILAMENT			
MATERIAL			
John C. Biele au [Signature]			
DRAWN CHECKED FINAL APPROVAL			
TYPE & TEMPER HEAT TREAT. SPEC.			
ELEC. DES. APP. MECH. DES. APP. SHEET OF			
TF-252 0			

TF-252 0