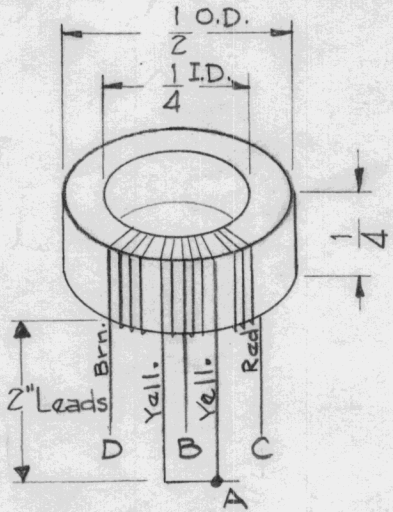
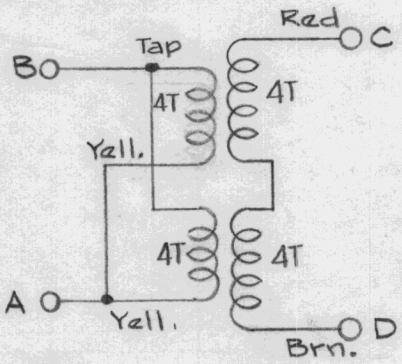


| | | | | | |
|----------------|-----------------|------------|---------|--------|---|
| REQ. PER. UNIT | USED ON | | | TF-172 | D |
| | MODEL | ASS'Y. NO. | DATE | | |
| 1 | SBE-1#2 | A-1454 | 8-14-57 | | |
| 1 | SBE-3 AX-204 | A-1454 | | | |



Wire - #30 Magnet Wire
Winding A-B - 8 turns total
Winding C-D - 8 turns total
Core - Toroidal (Ferrox Cube)



| | | | | | | | REQ. ITEM | PART NO. | DESCRIPTION | | SYMBOL | | | | | |
|----------------|------|---------------------------------|-----------------------|--|--------------------|--------------------|--------------------|----------------|--|--------------------|---------|----------------|--|--|--|--|
| | | | | | | | | | THE TECHNICAL MATERIEL CORP. MAMARONECK, NEW YORK | | | | | | | |
| | | | | | | | | | TRANSFORMER, HF, MOD. | | | | | | | |
| | | | | | | | | | | | | | | | | |
| | | | | | | | | | | | | | | | | |
| D | 1 | Drawing simplified No change | 12/1/59 | 1644 | <i>[Signature]</i> | <i>[Signature]</i> | | | | | | | | | | |
| ISSUE | ITEM | CHANGED FROM | DATE | CH. NO. | DRAFTS | CHECKER | ENG. APP. | | | | | | | | | |
| TOLERANCES | | | SCALE: NO SPL 1A 1811 | | | | | | <i>[Signature]</i> | <i>[Signature]</i> | | | | | | |
| DEC. DIM. ± | | A | | MAXIMUM ALLOWABLE TOLERANCES HAVE BEEN DETERMINED AND ANY DEVIATIONS WILL BE CAUSE FOR REJECTION. REMOVE ALL BURRS AND SHARP EDGES | | | | TYPE & TEMPER | HEATTREAT. SPEC. | DRAWN | CHECKED | FINAL APPROVAL | | | | |
| FRAC. DIM. ± | | | | | | | | | | | | | | | | |
| ANGULAR DIM. ± | | | | | | | | | | | | | | | | |
| | | | | | | | FINISH & SPEC. NO. | ELEC. DES. APP | MECH. DES. APP | TF-172 | D | | | | | |