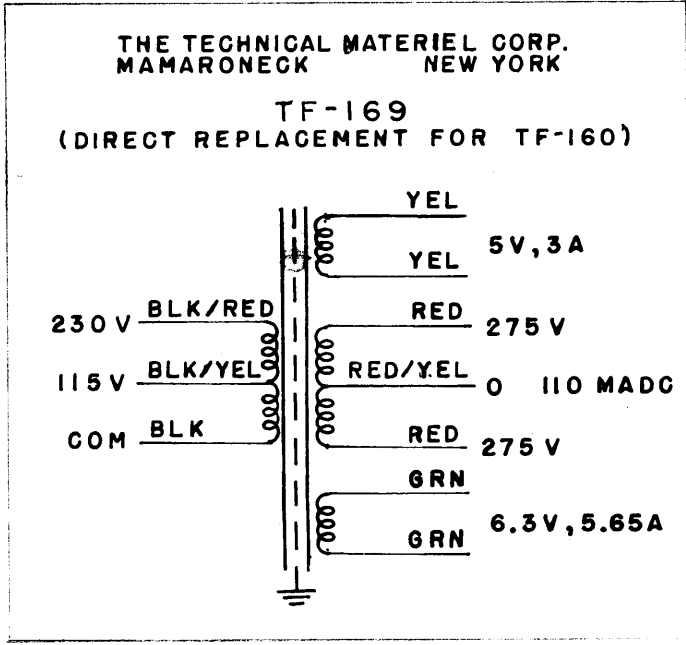
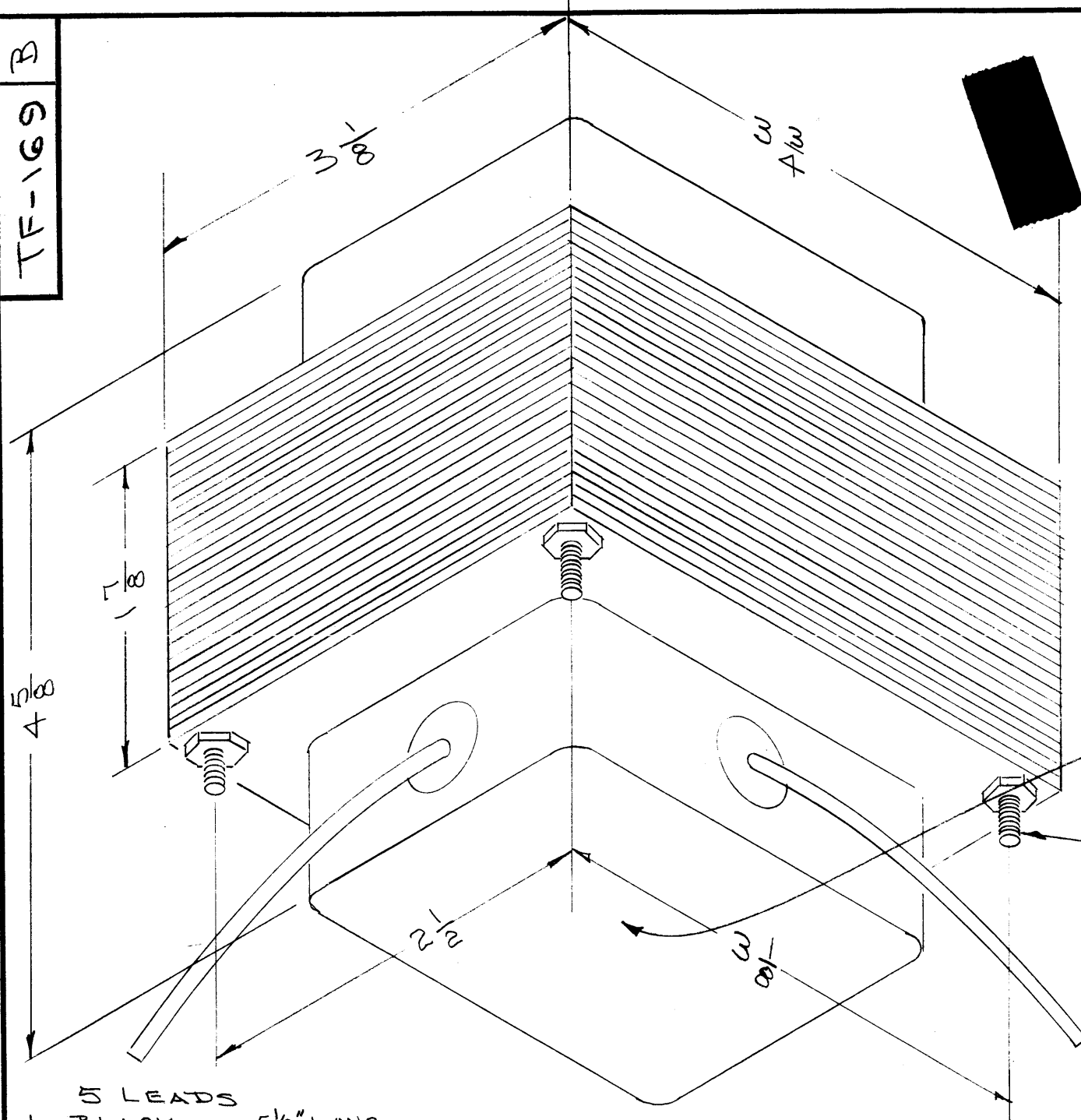


TF-169 B



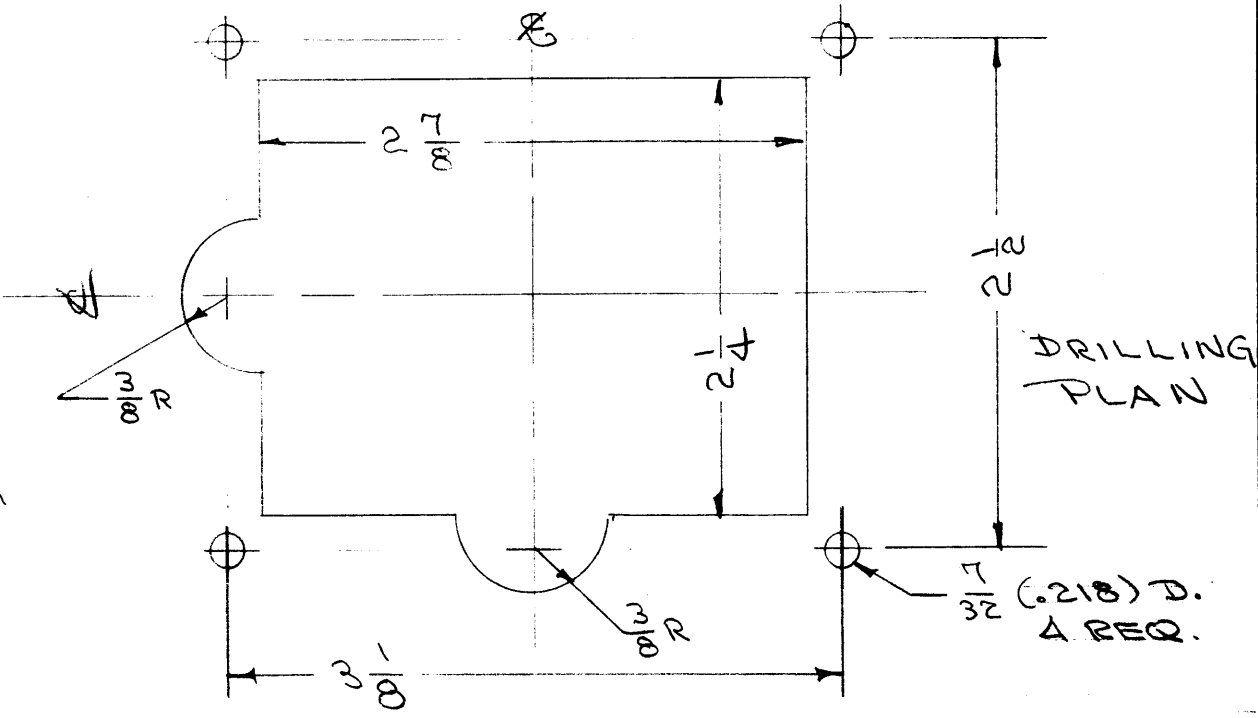
ELECTRICAL SPECIFICATIONS:
ELECTRO STATIC SHIELD
PRI. INPUT - 115/230V, 50/60 ~
SEC - 5V @ 3A
275-0-275 V RMS WITH
FULL WAVE RECTIFIER
BUAG TO CAPACITOR
INPUT FILTER 275 VDC
AT 110 MA
6.3 V @ 5.65 A
INSULATION TEST - 1000V

SCHEMATIC DIAGRAM TO BE IN BLACK,
PLACED THIS END.

8-32 x 3/8 STUDS

- 5 LEADS
- 1 BLACK 5 1/2" LONG
 - 1 BLK/YEL 4 1/2" "
 - 1 BLK/RED 4 1/2" "
 - 2 GREEN 4 1/2" "

- 5 LEADS
- 1 RED 5 1/2" LONG
 - 1 RED 4 1/2" "
 - 1 YELLOW 4" "
 - 1 YELLOW 4" "
 - 1 RED/YEL 3 1/2" "



NOTE:
LEAD LENGTHS SHOWN ARE TOTAL
LENGTHS, STRIP 3/4" & TIN.

ISSUE	ITEM	CHANGED FROM	DATE	CH. NO.	DRAFTS	CHECKER	ENG. APP.
B	1	SCHEMATIC ADDED	10/15/56	2	CSB	P.L.X.	A.J.J.
A	2	BLK/YEL & BLK/RED were 9"	7/9/56	1	JAL	P.L.X.	A.J.J.
A	1	BLACK WAS 9"					

TOLERANCES: DEC. DIM. ±, FRAC. DIM. ±, ANGULAR DIM. ±

SCALE: A

MAXIMUM ALLOWABLE TOLERANCES HAVE BEEN DETERMINED AND ANY DEVIATIONS WILL BE CAUSE FOR REJECTION. REMOVE ALL BURRS AND SHARP EDGES

1	GPR	297	9-7-56
REQ. PER UNIT	MODEL	PROJECT NO.	ASS'Y. NO.
USED ON			

REQ. ITEM	PART NO.	DESCRIPTION	SYMBOL
THE TECHNICAL MATERIEL CORP. MAMARONECK, NEW YORK			
STOCK SIZE			
TRANSFORMER, POWER			
MATERIAL			
TYPE & TEMPER		HEAT TREAT. SPEC.	SYMBOL
(S115) TMC GRAY			
FINISH & SPEC. NO.		ELEC. DES. APP.	MECH. DES. APP.