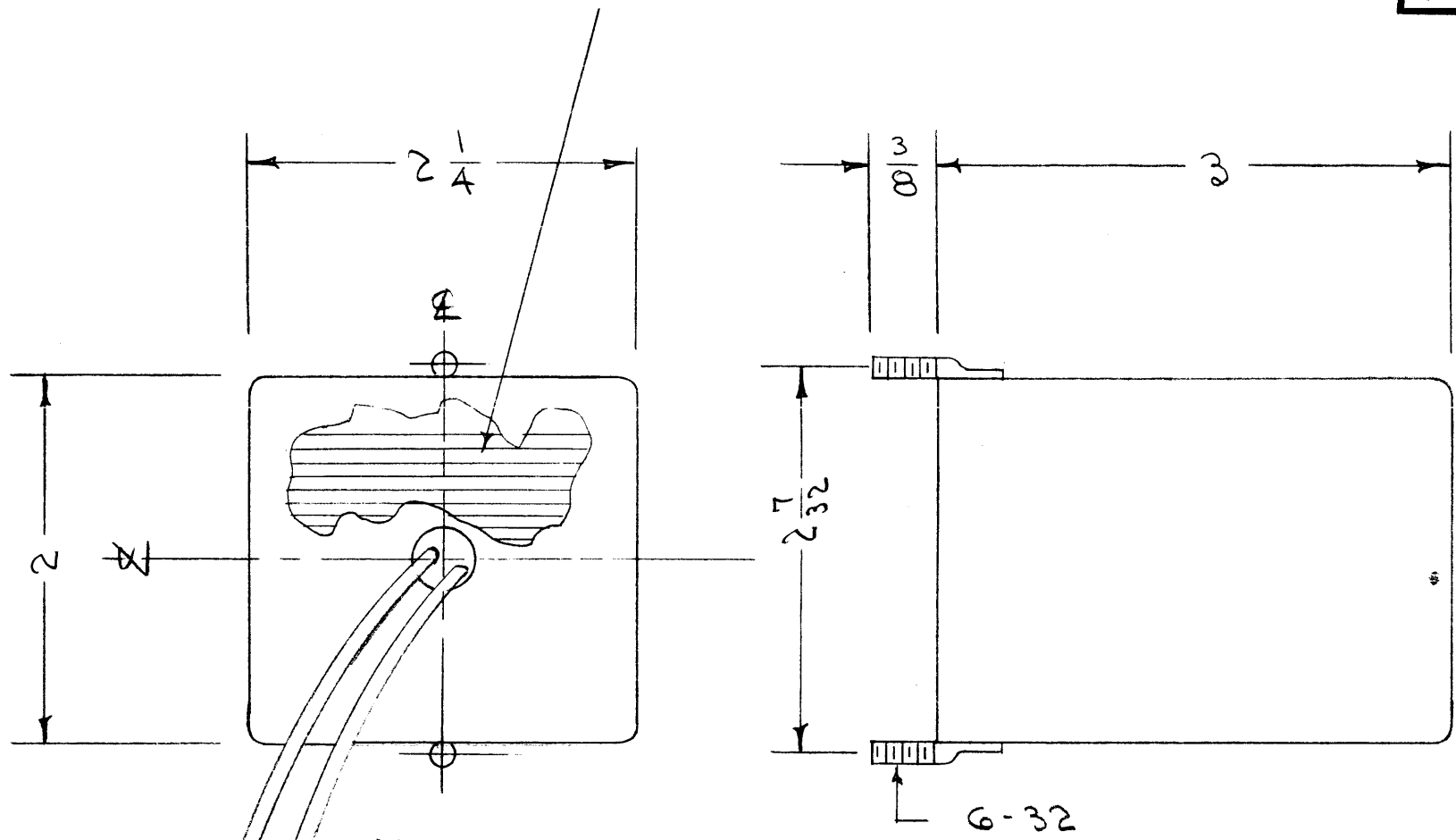


IF IT IS FOUND DESIRABLE TO CHANGE ANY TOLERANCE OR OTHER DETAIL SPECIFIED ON THIS DRAWING NOTIFY THE PURCHASER PROMPTLY.

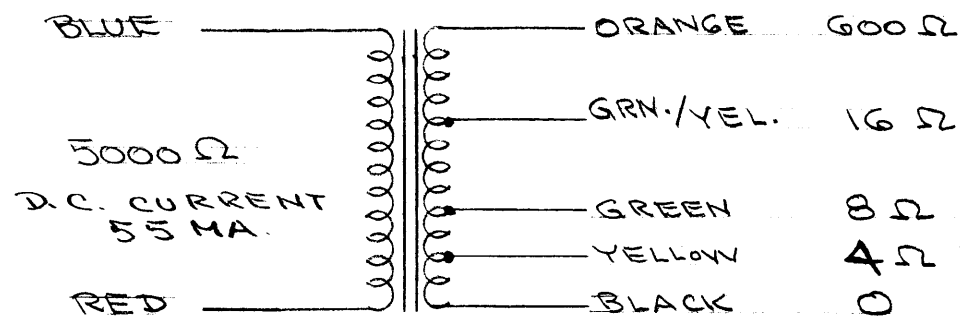
MAXIMUM ALLOWABLE TOLERANCES HAVE BEEN DETERMINED AND DEVIATIONS WILL BE CAUSE FOR REJECTION. REMOVE ALL BURRS AND SHARP EDGES

TF-159 B

NOTE: LAMINATIONS TO PARALLEL 2 1/4" SIDE.



7 LEADS - SEE CHART FOR LENGTHS



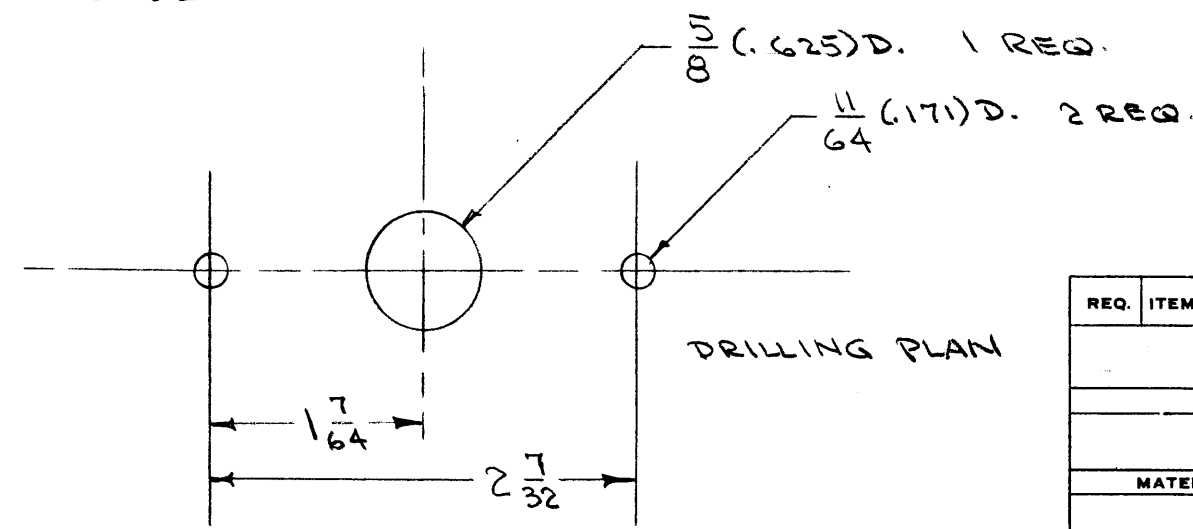
OUTPUT  
5 AUDIO  
WATTS MAX.

AUDIO RESPONSE - ±3db. 100-10,000 ~  
INSULATION TEST - 1000 V.

LEAD LENGTHS

COLOR	LENGTH
BLUE	6 1/2"
RED	6"
ORANGE	9"
GRN/YEL.	9"
GREEN	8 1/2"
YELLOW	8"
BLACK	7"

LEAD LENGTHS SHOWN ARE TOTAL LENGTHS. STRIP 3/4" & TIN



DRILLING PLAN

ISSUE	ITEM	CHANGED FROM	DATE	CN. NO.	DRAFTS	CHECKER	ENG. APP.
B	1	LEAD LENGTHS ADDED	8/8/56	2	EDS	WBC	PLK
A	2	LAMINATION NOTE ADDED	5/10/56	1	EDS	HH	A.J.S.
A	1	2" WAS 2 1/8"					

TOLERANCES		SCALE:
ALL OTHERS	DEC. DIM. ± FRAC. DIM. ±1/64 ANGULAR DIM. ±	A
DRILL, PUNCH, COMMERCIAL STOCK SIZES AND MANUFACTURERS TOLERANCES ARE NOT INCLUDED.		

REQ. PER UNIT	MODEL	PROJECT NO.	ASS'Y. NO.	DATE
1	GPR	297		3-8-55
USED ON				

REQ.	ITEM	PART NO.	DESCRIPTION	SYMBOL
			THE TECHNICAL MATERIEL CORP. MAMARONECK, NEW YORK	
			TRANSFORMER, OUTPUT	
			C.D.D. 2-8-55	
			HEAT TREAT. SPEC.	
			5-115 TMC GREY.	
			FINISH & SPEC. NO.	
			TF-159	B