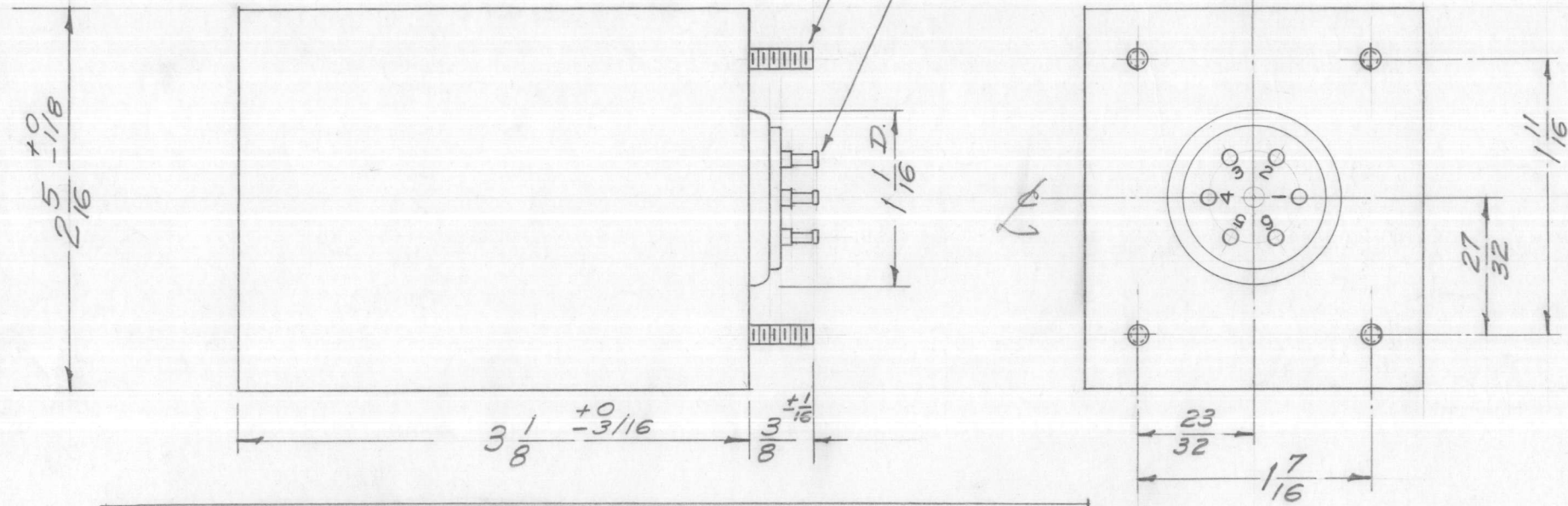
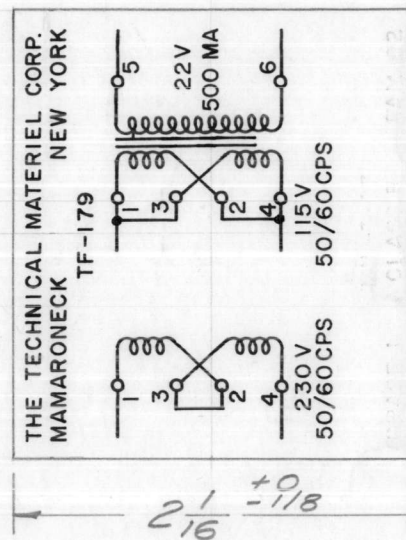


TF-179 B



NOTE: MANUFACTURED IN ACCORDANCE WITH MIL SPEC T-27-A EXCEPT THAT MIL SPEC T-27-A SHALL NOT APPEAR ON CASE AND QUALIFICATION TESTING IS NOT REQUIRED.

ELECTRICAL SPECIFICATIONS:
 Primary - 115/230 VAC, 50/60CPS, Single Phase.
 Secondary - 22 V. RMS at 500 MA. [for bridge rectified load]
 Insulation - Winding shall be insulated for 1500 V.

MECHANICAL SPECIFICATIONS:
 Case - MIL Type FA, hermetically sealed, steel.
 Finish - TMC Smooth Grey Enamel (5115), Except Terminal End.
 Size O/A - 2 1/16 x 2 5/16 x 3 1/8 high, excluding studs and terminals.
 Stamping - Terminals shall be metal stamped 1 to 6 as shown. Opposite end shall be rubber stamped as shown.

NOTICE TO PERSONS RECEIVING THIS DRAWING

THE TECHNICAL MATERIEL CORPORATION claims proprietary right in the material disclosed hereon. This drawing is issued in confidence for engineering information only and may not be reproduced or used to manufacture anything shown hereon without permission from THE TECHNICAL MATERIEL CORPORATION to the user. This drawing is loaned for mutual assistance and is subject to recall at any time.

Property of:
 THE TECHNICAL MATERIEL CORPORATION
 MAMARONECK, NEW YORK

ISSUE	ITEM	CHANGED FROM	DATE	CH. NO.	DRAFTS	CHECKER	ENG. APP.
B	1	NOTE ADDED (MIL T-27A)	6-29-60	2572			KS
A	1	Redrawn - Electrically Same - Case & Mtg. Chgd.	6/24/58	1		Hde	ASJ

TOLERANCES: SCALE: Full

DEC. DIM. ±
 FRAC. DIM. ± 1/64
 ANGULAR DIM. ±

A

MAXIMUM ALLOWABLE TOLERANCES HAVE BEEN DETERMINED AND ANY DEVIATIONS WILL BE CAUSE FOR REJECTION. REMOVE ALL BURRS AND SHARP EDGES

Transformer shall be in accordance with MIL-T-27A and Amend. Type TFI RAOZFA

Req. Dickshur Transformer Co. No.

1	A-1504	PROJECT NO.	ASS'Y. NO.	6-24-58	DATE
REQ. PER UNIT	MODEL	PROJECT NO.	ASS'Y. NO.	DATE	USED ON

REQ. ITEM	PART NO.	DESCRIPTION	SYMBOL
//	STOCK SIZE	THE TECHNICAL MATERIEL CORP. MAMARONECK, NEW YORK	
//	MATERIAL	TRANSFORMER, POWER, STEP-DOWN	
//	TYPE & TEMPER	46-24-58	
//	HEAT TREAT. SPEC.	Hde	A.J.J.
//	FINISH & SPEC. NO.	ASJ	TF-179 B

DRAWN: Hde
 CHECKED: Hde
 FINAL APPROVAL: A.J.J.

ELEC. DES. APP. MECH. DES. APP.