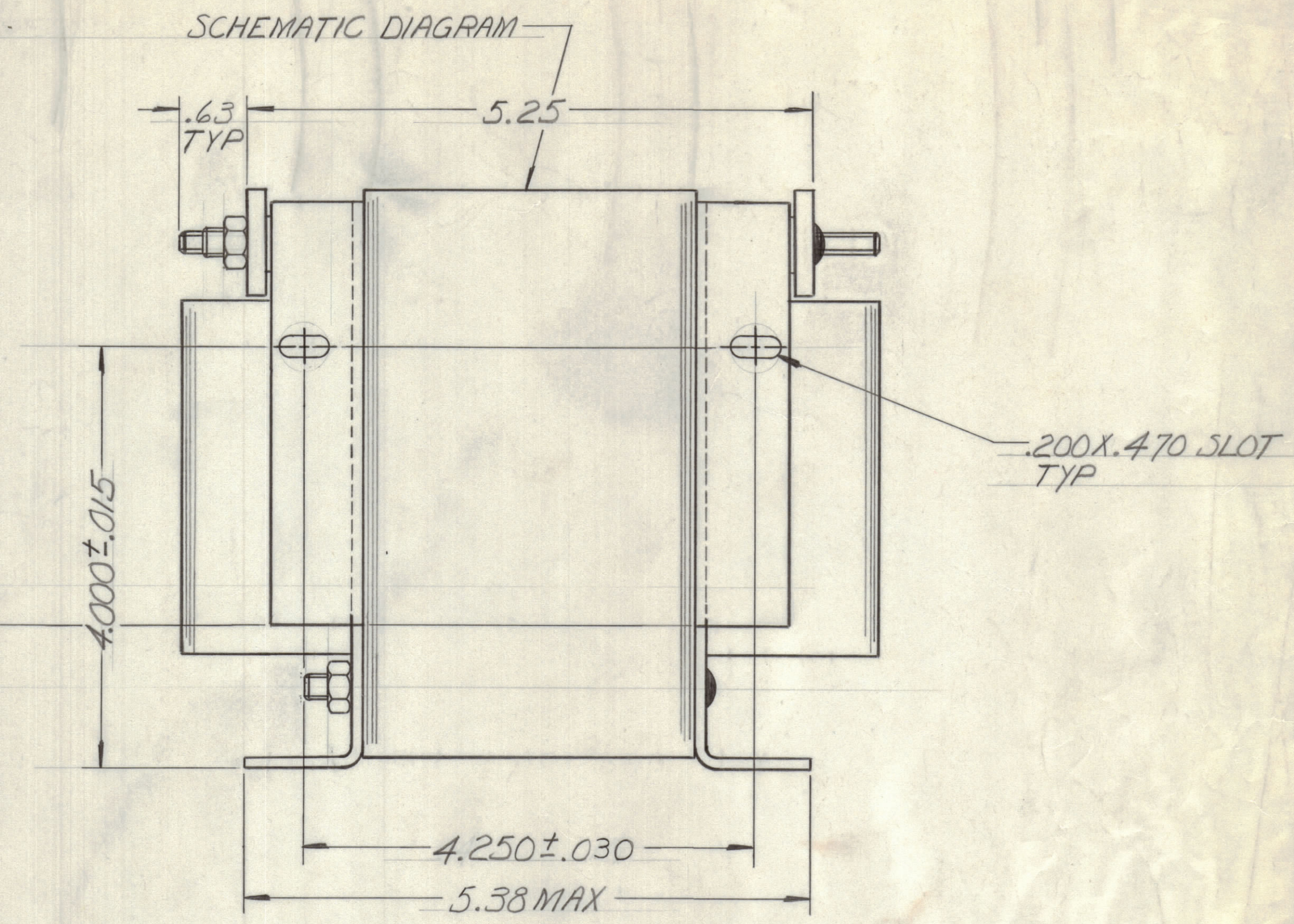
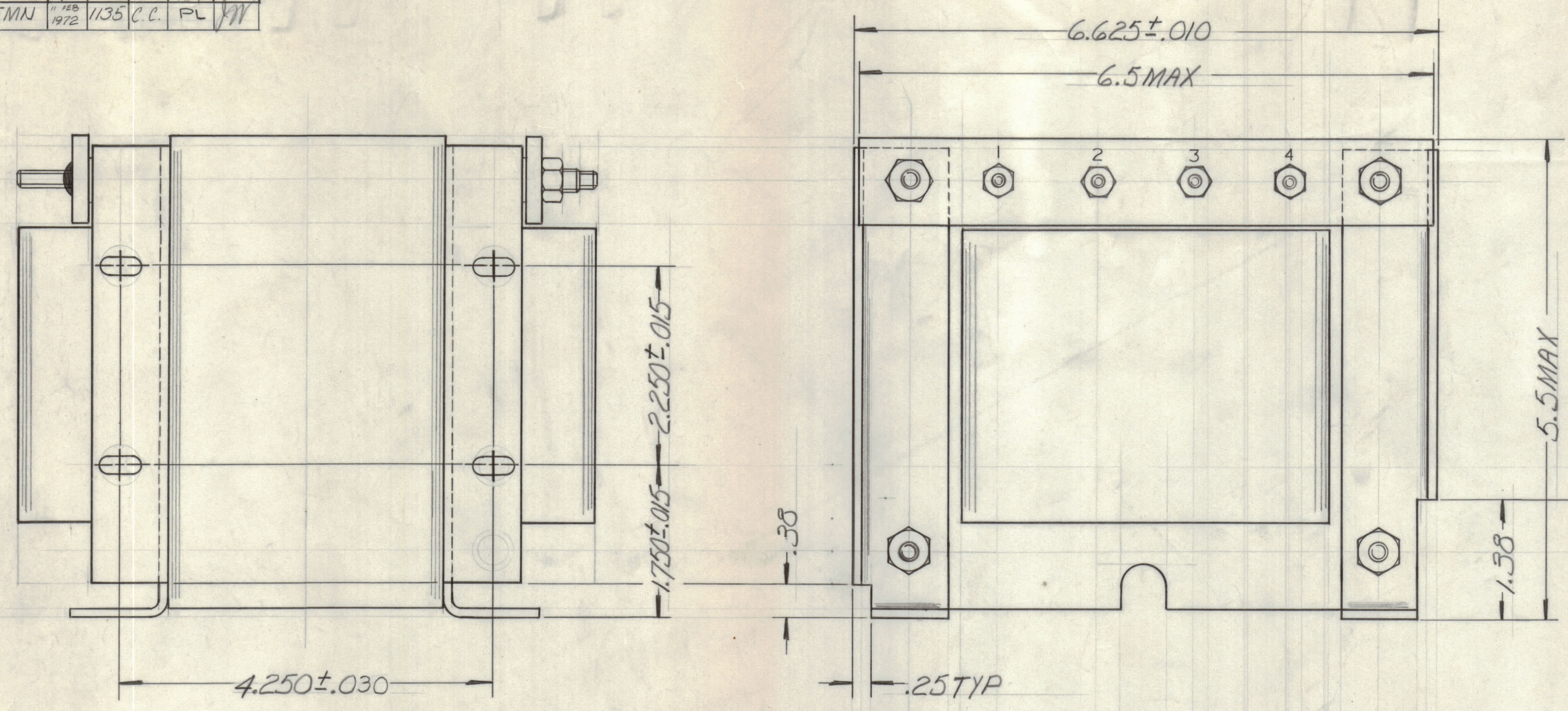


TF10059 C

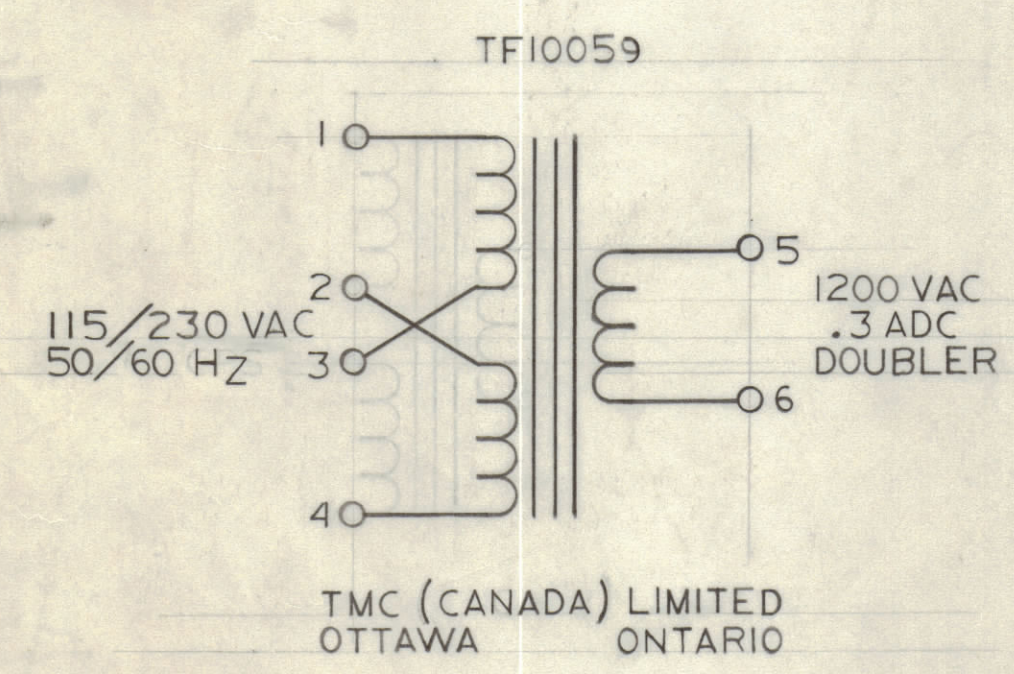
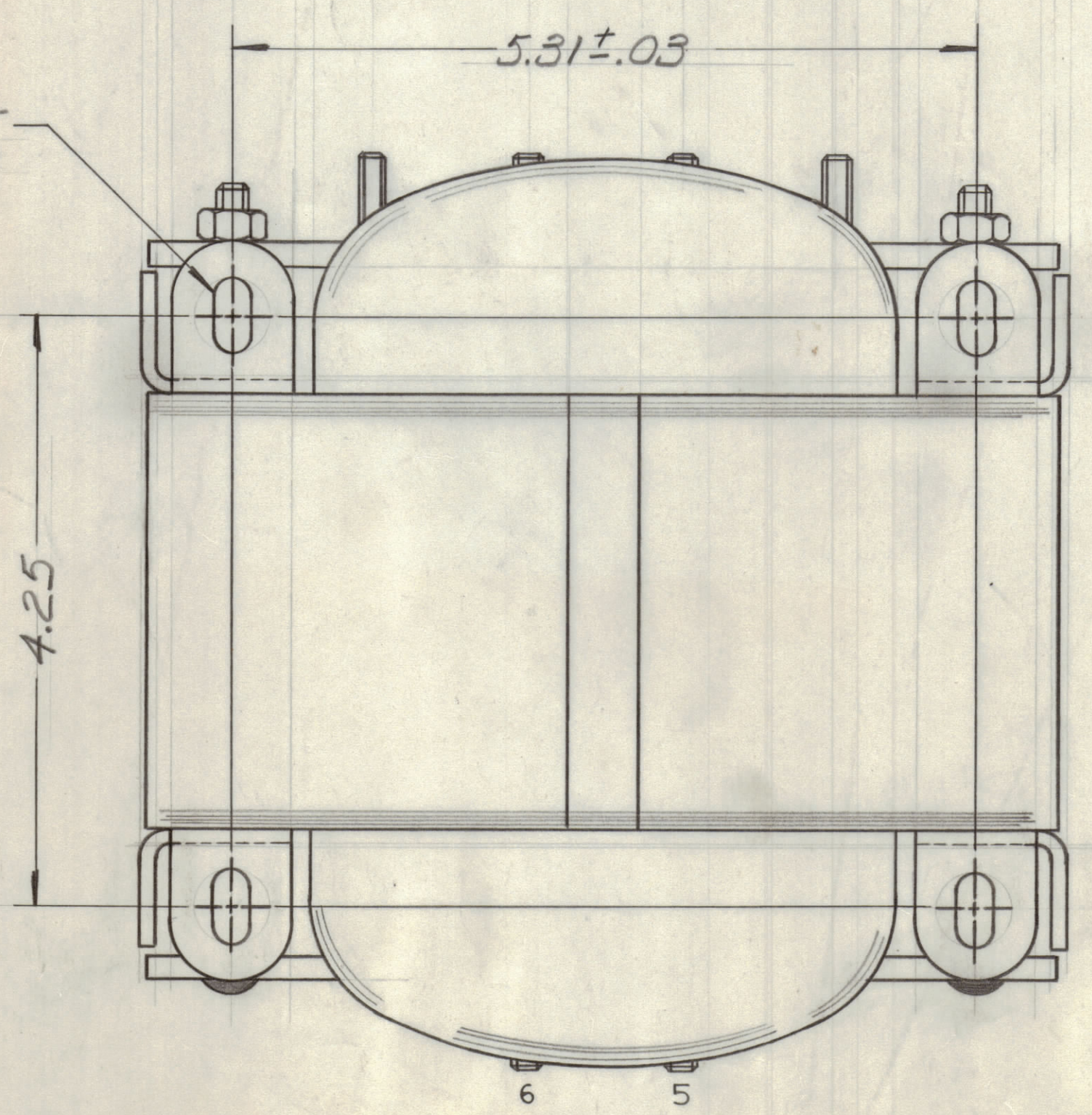
REQ	ITEM	PART NO.	DESCRIPTION	SYMBOL

IF IT IS FOUND DESIRABLE TO CHANGE ANY TOLERANCE OR OTHER DETAIL SPECIFIED ON THIS DRAWING NOTIFY THE PURCHASER PROMPTLY.					DIMENSIONS IN INCHES UNLESS OTHERWISE SPECIFIED				
MAXIMUM ALLOWABLE TOLERANCES HAVE BEEN DETERMINED AND DEVIATIONS WILL BE CAUSE FOR REJECTION. REMOVE ALL BURRS AND SHARP EDGES.					OTHERWISE SPECIFIED				
ISSUE	ITEM	CHANGED FROM	DATE	CN. NO.	DRAFTS	CHECKER	ENG. APP.		
B		REDRAWN & REVISED	23 APR 71	962	RJ				
C		REV PER CEMN	11 FEB 1972	1135	C.L.	PL			



**SCHEMATIC DIAG**  
TO BE MARKED ON SURFACE INDICATED  
AS PER STAMPING SPEC

**.280 X .560 SLOT**  
TYP 4 PLACES



**SPECIFICATIONS**

**ELECTRICAL :**

PRIMARY WINDING  
VOLTAGE : 115/230 VAC  
FREQUENCY : 50/60 CPS

SECONDARY WINDING  
VOLTAGE: 1200 VAC NO LOAD TO SUPPLY DOUBLER CKT(3000 VAC) .3 ADC

PHASE : SINGLE  
INSULATION TEST VOLTAGE : 3000VIMS

**MECHANICAL :**

CASE: OPEN FRAME  
FINISH: BLACK MATT, EXCEPT TERMINALS  
DIMENSIONS: SHOWN PICTORIALY  
TERMINALS: 10-32 THREADS

STAMPING : ACCORDING TO TMC SPEC S727 WHITE GOTHIC LETTERING AND LINE WORK

NOTE: MANUFACTURED IN ACCORDANCE WITH MIL-SPEC T-27-A, EXCEPT THAT MIL SPEC T-27-A SHALL NOT APPEAR ON CASE AND QUALIFICATION TESTING NOT REQUIRED.

TF 10059

TOLERANCES UNLESS OTHERWISE SPECIFIED	SCALE: 1/1
ALL DEC DIM ± .06	DRILL, PUNCH, COMMERCIAL STOCK
OTHERS FRACTIONAL DIM ± .03	SIZES AND MANUFACTURERS
ANGULAR DIM ± 0° 30'	TOLERANCES ARE NOT INCLUDED

LPA-1KC 088-71	PROJECT NO	29 APR 71
MODEL	ASS'Y NO	DATE
USED ON		

TF 10059