

STANDARD DRAWING

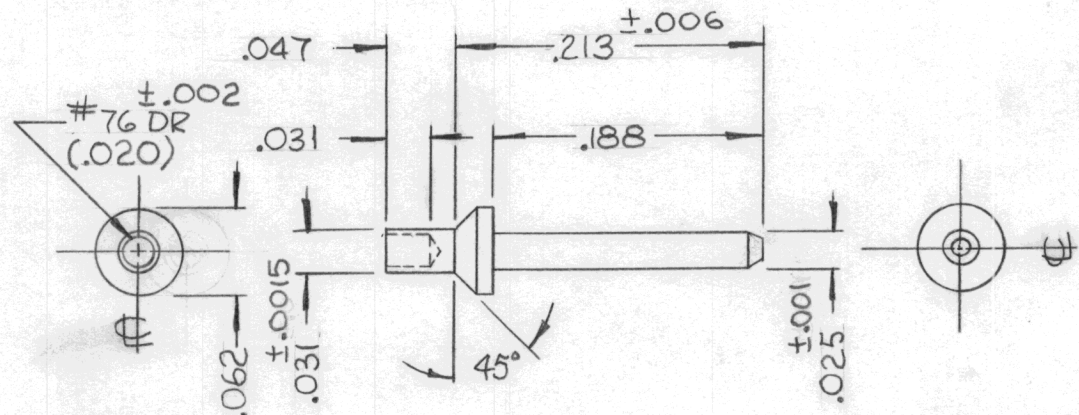
TMC PT/No	MFGR PT/No	FOR BD THK
TE205	3889-1	1/32

REQ. PER UNIT	USED ON		
	MODEL	ASS'Y. NO.	DATE
	RTIH		6.30.66

TE205 \emptyset

~ NOTE ~

MATERIAL: BRASS
 FINISH: .000020 24K HARD
 GOLD PLATE OVER
 SILVER PLATE .0002



REQ.	ITEM	PART NO.	DESCRIPTION				SYMBOL
			THE TECHNICAL MATERIEL CORP. MAMARONECK, NEW YORK				
			STOCK SIZE				
			SEE NOTES				
			MATERIAL				
			PIN, TERMINAL				
			UNLESS OTHERWISE SPECIFIED DIMENSIONS ARE IN INCHES AND INCLUDE CHEMICALLY APPLIED OR PLATED FINISHES				
			SCALE DO NOT SCALE				
			TYPE & TEMPER HEAT TREAT. SPEC.				
			DRAWN CHECKED FINAL APPROVAL				
			SEE NOTES				
			FINISH & SPEC. NO.				
			ELEC. DES. APP. MECH. DES. APP.				
			TOLERANCES				
			DECIMALS				
			FRACTIONS				
			ANGLES				
			CODE				
			S401-167				
			TE205 \emptyset				