

THE CONTENTS OF THIS DRAWING ARE THE EXCLUSIVE PROPERTY OF THE TECHNICAL MATERIEL CORP. ITS UNAUTHORIZED USE OR REPRODUCTION IN WHOLE OR IN PART IS STRICTLY FORBIDDEN.

REQ. PER UNIT

USED ON

MODEL

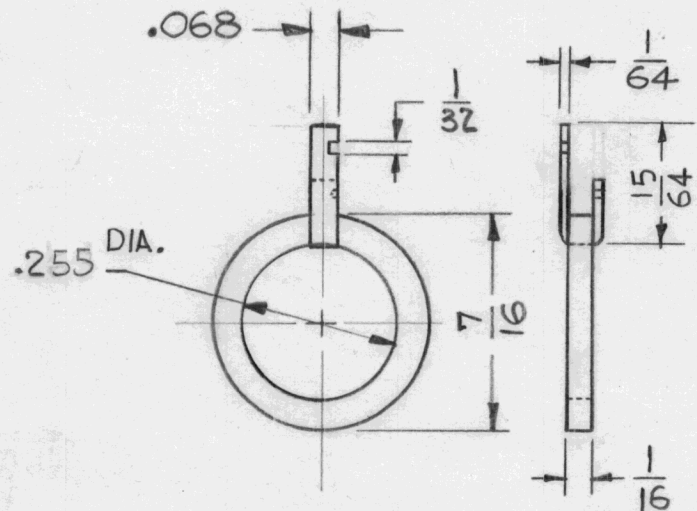
ASS'Y. NO.

DATE

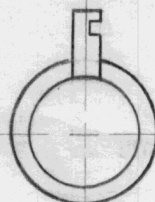
7-2-64

TE-195

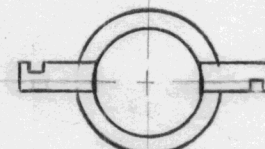
D



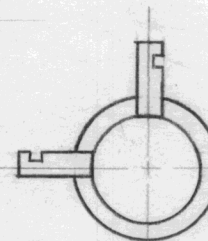
TYPES AVAILABLE



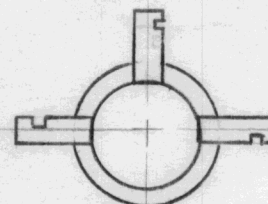
TE-195-1



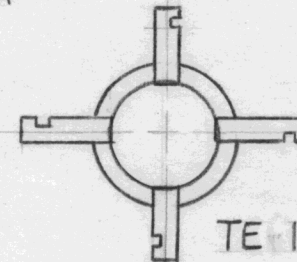
TE-195-2



TE-195-2A



TE-195-3



TE-195-4

NOTE: PURCHASE TE195-4 ONLY AND MODIFY AS REQUIRED.

CAMBRIDGE THERMIONIC CORP. PT. NO. 1696- OR EQUIV.

ID	DESCRIPTION	DATE	CH. NO.	DRAFTS	CHECKER	ENG. APP.	REQ.	ITEM	PART NO.	DESCRIPTION	SYMBOL
D	.255 DIA. WAS .263	12-2-66	17383	WHD	QC/B	QC				<b>THE TECHNICAL MATERIEL CORP.</b> MAMARONECK, NEW YORK TERMINAL COLLAR SILICONE FIBREGLAS	D
C	ADDED PURCH. NOTE	7-21-66	16591	RME	QC/B				STOCK SIZE		
B	DIM. .263 WAS .255	2-5-64	10841	A.M.	T.R.				MATERIAL		
A	DIM. .255 WAS .263	11-12-63	10363								
UNLESS OTHERWISE SPECIFIED:		SCALE: 5401-167(1696)									
DIMENSIONS ARE IN INCHES		MAXIMUM ALLOWABLE TOLERANCES HAVE BEEN DETERMINED AND ANY DEVIATIONS WILL BE CAUSE FOR REJECTION.									
TOLERANCES ON		REMOVE ALL BURRS AND SHARP EDGES									
FRAC. ± 1/64 DEC. ± .005 ANGLES ± 1/2°											
							TYPE & TEMPER	HEAT TREAT. SPEC.	DRAWN	CHECKED	FINAL APPROVAL
									J. ANGER		TE-195
							FINISH & SPEC. NO.	ELEC. DES. APP.	MECH. DES. APP.		