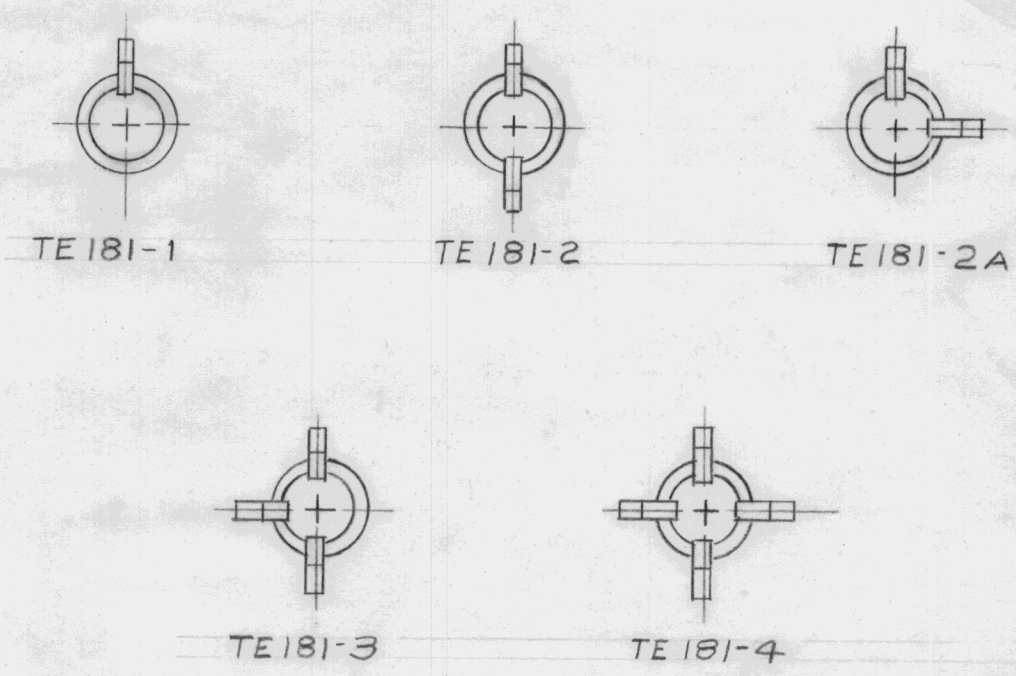
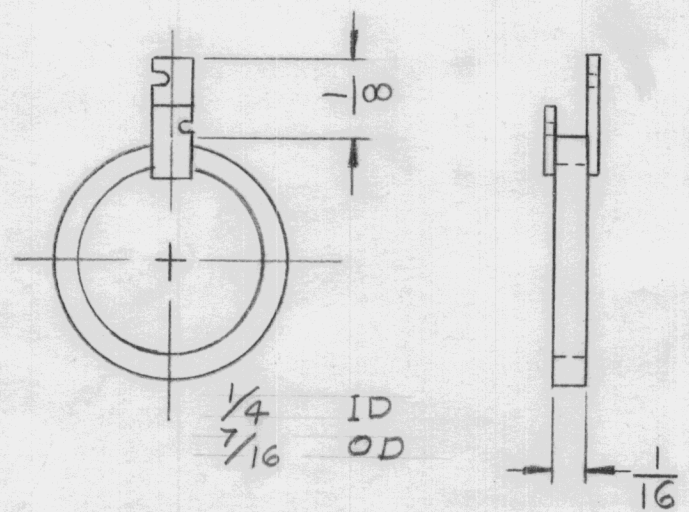


REQ. PER. UNIT	USED ON			TE 181	A
	MODEL	ASS'Y. NO.	DATE		
	CHG				



DIMENSIONS FOR REF. ONLY

NOTE: PURCHASE TE 181-4 ONLY AND MODIFY AS REQUIRED.

REQ.	ITEM	PART NO.	DESCRIPTION				SYMBOL
			THE TECHNICAL MATERIEL CORP.				
			MAMARONECK, NEW YORK				
			TERMINAL, COLLAR.				
			1/4 ID				
A	ADDED PURCH. NOTE, DELE. C.A.M.B. CORP. TO S401-167	7-21-66 16591 RME	QC/B	MM			
ISSUE	ITEM	CHANGED FROM	DATE	CH. NO.	DRAFTS	CHECKER	ENG. APP.
TOLERANCES			SCALE: S401-167				
DEC. DIM. ±			MAXIMUM ALLOWABLE TOLERANCES HAVE BEEN DETERMINED AND ANY DEVIATIONS WILL BE CAUSE FOR REJECTION.				
FRAC. DIM. ±			REMOVE ALL BURRS AND SHARP EDGES				
ANGULAR DIM. ±							
TYPE & TEMPER		HEAT TREAT. SPEC.	DRAWN	CHECKED	FINAL APPROVAL		
FINISH & SPEC. NO.		ELEC. DES. APP.	MECH. DES. APP.	TE 181		A	