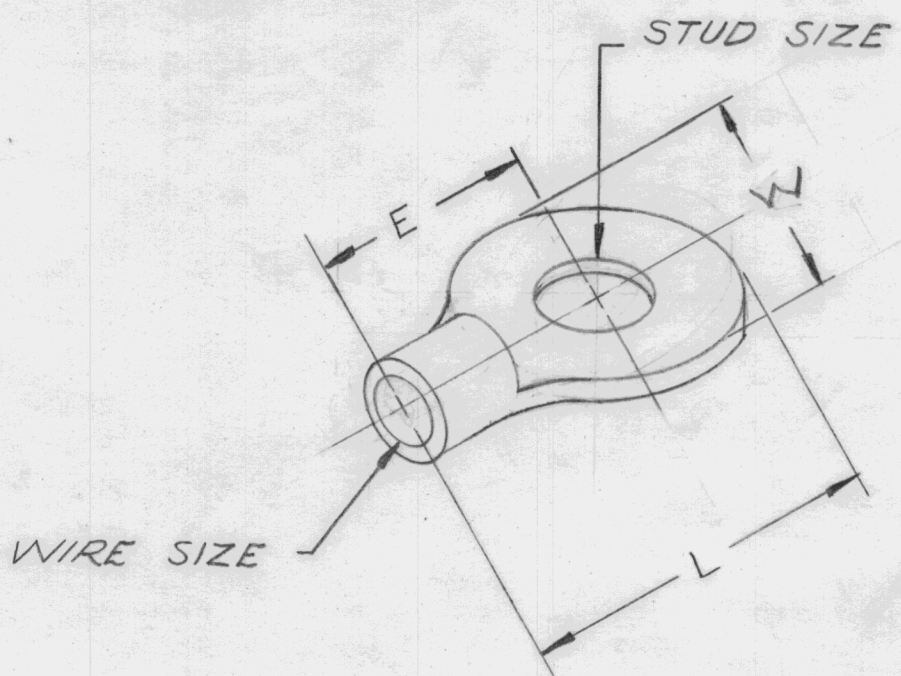


TMC PART NO.	CAT #	WIRE SIZE	STUD SIZE	W	E	L	REQ. PER. UNIT	USED ON			
TE-179-1	35664	#8(128)	1/2	1 1/4	1 1/32	1 31/32		MODEL	ASS'Y. NO.	DATE	TE-179



(TYPE "SOLISTRAND")

AIRCRAFT-MARINE PRODUCTS, INC.

ISSUE	ITEM	CHANGED FROM	DATE	CH. NO.	DRAFTS	CHECKER	ENG. APP.	REQ.	ITEM	PART NO.	DESCRIPTION	SYMBOL	
											THE TECHNICAL MATERIEL CORP. MAMARONECK, NEW YORK		
								STOCK SIZE		TERMINAL, SOLDERLESS			
TOLERANCES								MATERIAL		DRAWN <i>Rv</i> CHECKED <i>JHE</i> FINAL APPROVAL <i>DB</i>			
DEC. DIM. ± FRAC. DIM. ± ANGULAR DIM. ±			SCALE:					TYPE & TEMPER		HEATTREAT. SPEC.		ELEC. DES. APP.	MECH. DES. APP.
MAXIMUM ALLOWABLE TOLERANCES HAVE BEEN DETERMINED AND ANY DEVIATIONS WILL BE CAUSE FOR REJECTION. REMOVE ALL BURRS AND SHARP EDGES								FINISH & SPEC. NO.		TE-179			