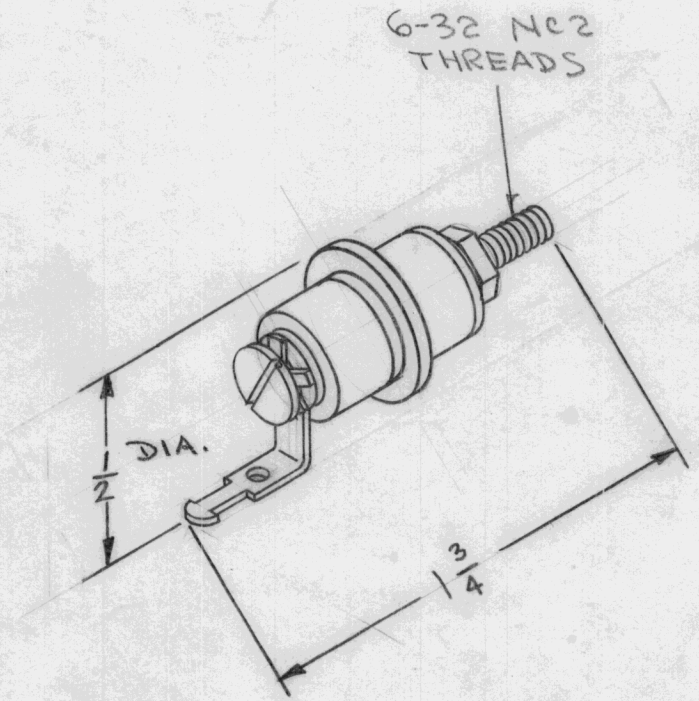


REQ. PER UNIT	USED ON			TE-175
	MODEL	ASS'Y. NO.	DATE	
	GPT-10K			



ASSEMBLY CONSISTS OF BRASS CADMIUM PLATED ROD, NEOPRENE GLAND, STEATITE INSULATION.

ISSUE	ITEM	CHANGED FROM	DATE	CH. NO.	DRAFTS	CHECKER	ENG. APP.	REQ.	ITEM	PART NO.	DESCRIPTION	SYMBOL	
											THE TECHNICAL MATERIEL CORP. MAMARONECK, NEW YORK TERMINAL BUSHING ASS'Y.		
										STOCK SIZE			
										MATERIAL			
TOLERANCES			SCALE:	NPL 2A-1720							MJT 5-25-59		
DEC. DIM. ± FRAC. DIM. ± ANGULAR DIM. ±			MAXIMUM ALLOWABLE TOLERANCES HAVE BEEN DETERMINED AND ANY DEVIATIONS WILL BE CAUSE FOR REJECTION: REMOVE ALL BURRS AND SHARP EDGES										
											DRAWN	CHECKED	FINAL APPROVAL
											2		TE-175
											ELEC. DES. APP.	MECH. DES. APP.	