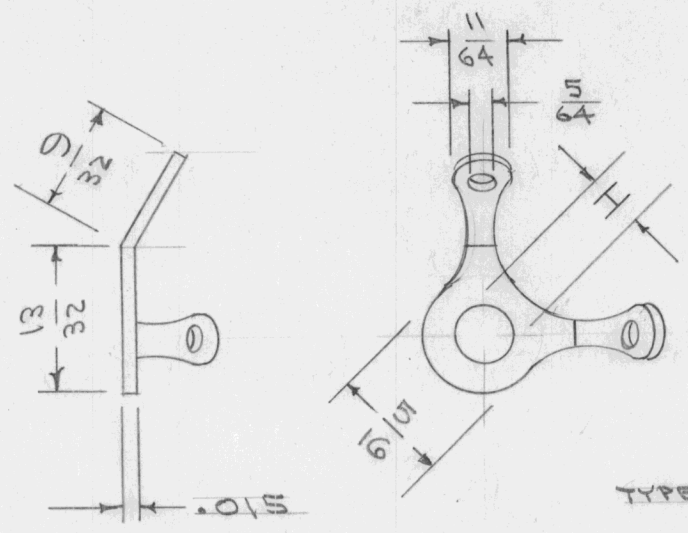


REQ. PER UNIT	USED ON			TE-154
	MODEL	ASS'Y. NO.	DATE	



TYPE DESIGNATION TO BE IN FOLLOWING FORM

TE-154-.169  
 TYPE NUMBER H  
 (HOLE SIZE)

HOLE SIZES AVAILABLE .169 & .196, .130, .144

REF.: ZIERICK MFG CORP. CAT. NO. 122

								REQ. ITEM	PART NO.	DESCRIPTION	SYMBOL		
										<b>THE TECHNICAL MATERIEL CORP.</b> MAMARONECK, NEW YORK TERMINAL LUG, DUAL			
								STOCK SIZE					
								MATERIAL					
ISSUE	ITEM	CHANGED FROM	DATE	CH. NO.	DRAFTS	CHECKER	ENG. APP.			CDD 9/30/55 JADe [Signature]			
TOLERANCES			SCALE:					TYPE & TEMPER		HEAT TREAT. SPEC.	DRAWN	CHECKED	FINAL APPROVAL
DEC. DIM. ±			MAXIMUM ALLOWABLE TOLERANCES HAVE BEEN DETERMINED AND ANY DEVIATIONS WILL BE CAUSE FOR REJECTION. REMOVE ALL BURRS AND SHARP EDGES										
FRAC. DIM. ±										FINISH & SPEC. NO.		ELEC. DES. APP.	MECH. DES. APP.
ANGULAR DIM. ±													