

IF IT IS FOUND DESIRABLE TO CHANGE ANY TOLERANCE OR OTHER DETAIL SPECIFIED ON THIS DRAWING NOTIFY THE PURCHASER PROMPTLY.

STANDARD DRAWING

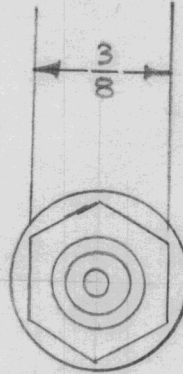
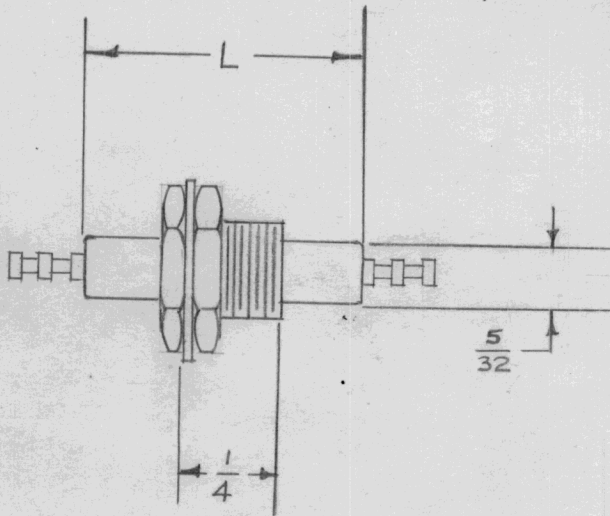
TE-114

A

MAXIMUM ALLOWABLE TOLERANCES HAVE BEEN DETERMINED AND DEVIATIONS WILL BE CAUSE FOR REJECTION. REMOVE ALL BURRS AND SHARP EDGES

USED ON

MODEL	PROJECT NO.	ASS'Y. NO.	DATE
-------	-------------	------------	------



TMC NO.	MFG. NO.	"L"
TE-114-1	X1795A	5/8
* TE-114-2	X1795B	1/2

* Preferred type, use other versions only when absolutely necessary.

Insulator is Phenolic.
Solder Terminal is brass, silver plated.
Bushing is brass, nickel plated.
Type X1795 terminals mount in 1/4" dia.
Holes in panel thickness up to 3/16".
Each unit is supplied with the necessary mounting hardware.

Breakdown voltages at 60 R.M.S. :-

X1795A - 3800

X1795B - 3200

REF.: CAMBRIDGE THERMIONIC CORP.

REQ.	ITEM	PART NO.	DESCRIPTION	SYMBOL
		//	THE TECHNICAL MATERIEL CORP.	
		STOCK SIZE	MAMARONECK, NEW YORK	
		//	TERMINAL,	
		MATERIAL	FEED-THRU	
		WEIGHT PER PC.		
		//	16 12-31-52	
		TYPE & TEMPER	G.T.O	
		//	DRAWN	
		HEAT TREAT. SPEC.	ELEC. DES. APP.	
		//	CHECKED	
		FINISH & SPEC. NO.	FINAL APPROVAL	

A	1	Note Added	1/31/57	1				
ISSUE	ITEM	CHANGED FROM	DATE	CN. NO.	DRAFTS	CHECKER	ENG. APP.	

TOLERANCES		SCALE	DRILL, PUNCH, COMMERCIAL STOCK SIZES AND MANUFACTURERS TOLERANCES ARE NOT INCLUDED.	
ALL OTHERS	DEC. DIM. ± FRAC. DIM. ± ANGULAR DIM. ±	//		

TE-114

A