

IF IT IS FOUND DESIRABLE TO CHANGE ANY TOLERANCE OR OTHER DETAIL SPECIFIED ON THIS DRAWING NOTIFY THE PURCHASER PROMPTLY.

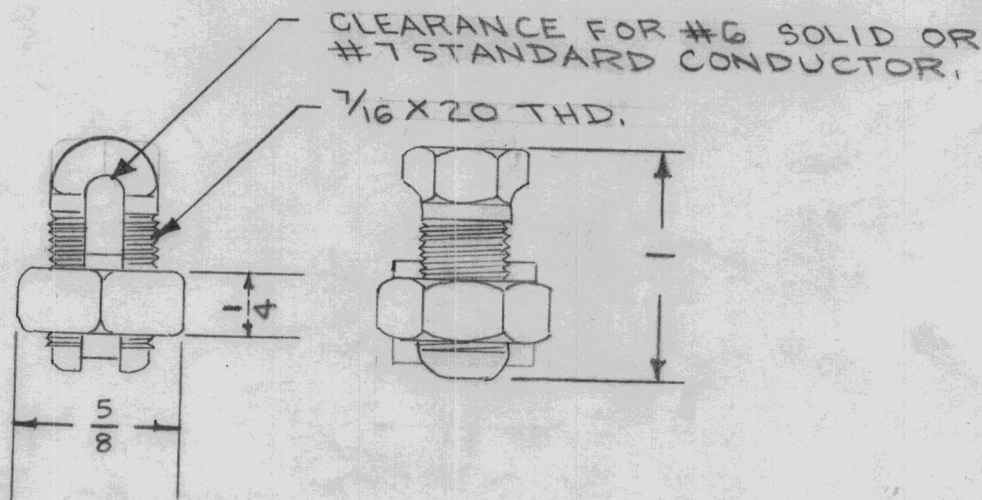
RELEASED

TE-107 A

MAXIMUM ALLOWABLE TOLERANCES HAVE BEEN DETERMINED AND DEVIATIONS WILL BE CAUSE FOR REJECTION. REMOVE ALL BURRS AND SHARP EDGES

USED ON

MODEL	PROJECT NO.	ASS'Y. NO.	DATE
	#141	A-126	8-28-52



DIMENSIONS FOR REF. ONLY

REF.: BURNDY CAT. # KS17

REQ.	ITEM	PART NO.	DESCRIPTION	SYMBOL
			THE TECHNICAL MATERIEL CORP. MAMARONECK, NEW YORK	
		STOCK SIZE	SPLIT BOLT	
		COPPER ALLOY	CONNECTOR	
		MATERIAL		
		WEIGHT PER PC.		
		TYPE & TEMPER	DRAWN 8-28-52	
		HEAT TREAT. SPEC.	ELEC. DES. APP.	MECH. DES. APP.
		FINISH & SPEC. NO.	CHECKED	FINAL APPROVAL

ISSUE	ITEM	CHANGED FROM	DATE	CN. NO.	DRAFTS	CHECKER	ENG. APP.
A	1	GENERAL REVISION	1/3/53	1	16		

TOLERANCES

SCALE

DRILL, PUNCH, COMMERCIAL STOCK SIZES AND MANUFACTURERS TOLERANCES ARE NOT INCLUDED.

ALL OTHERS
DEC. DIM. ±
FRAC. DIM. ±
ANGULAR DIM. ±

TE-107 A