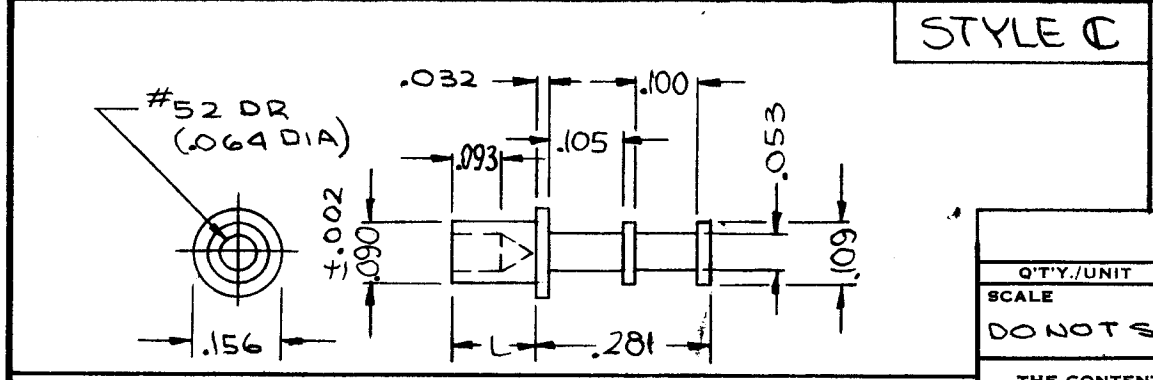
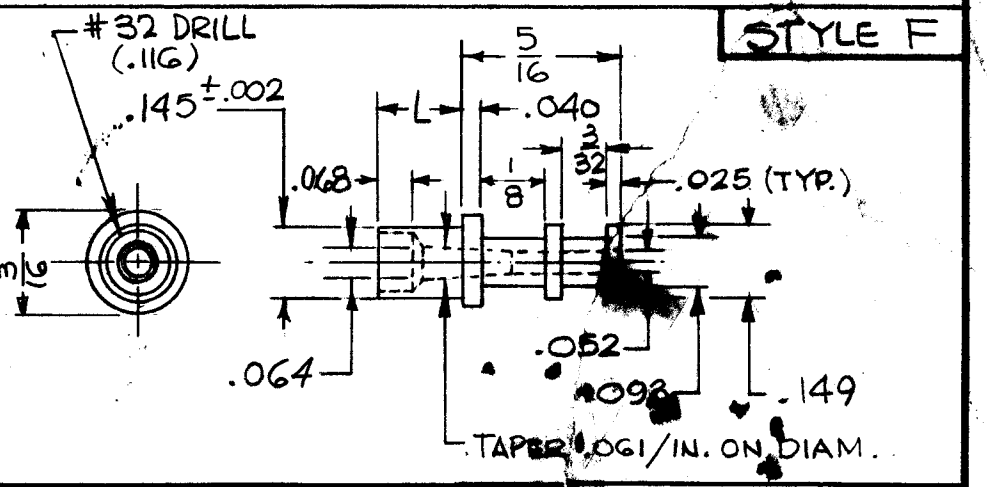
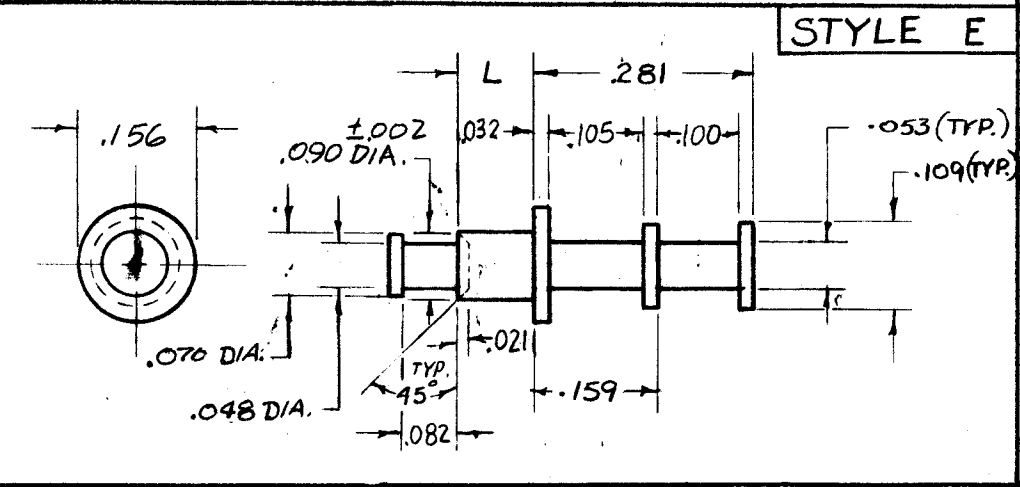
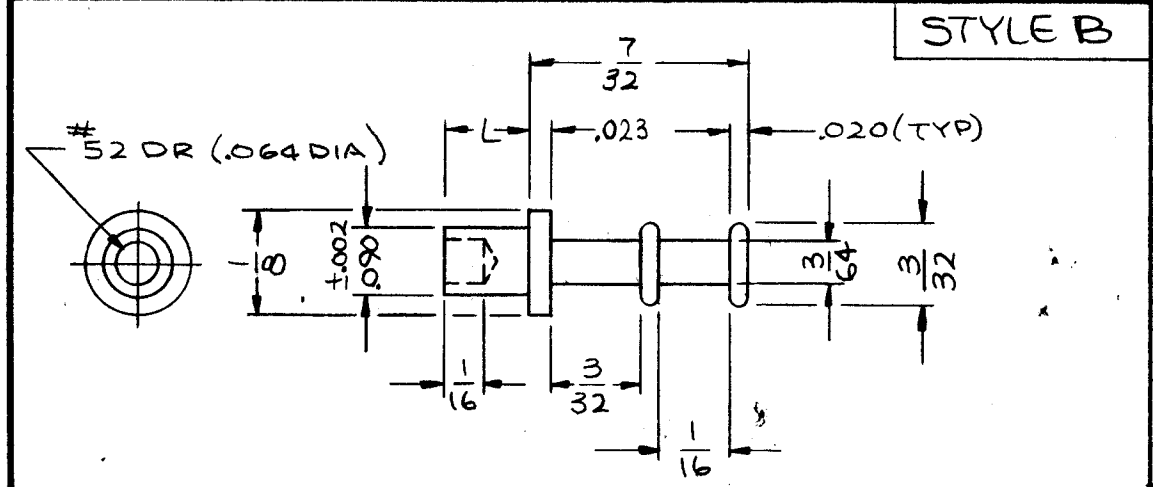
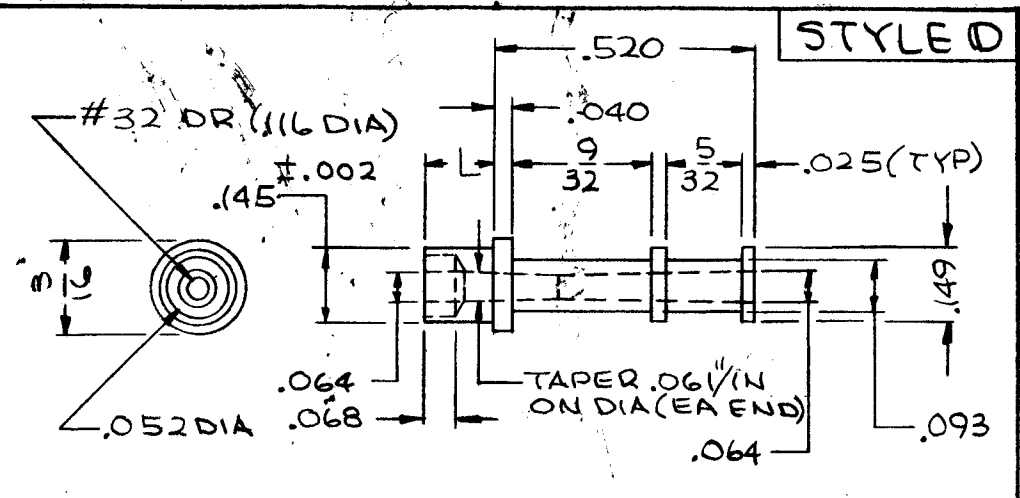
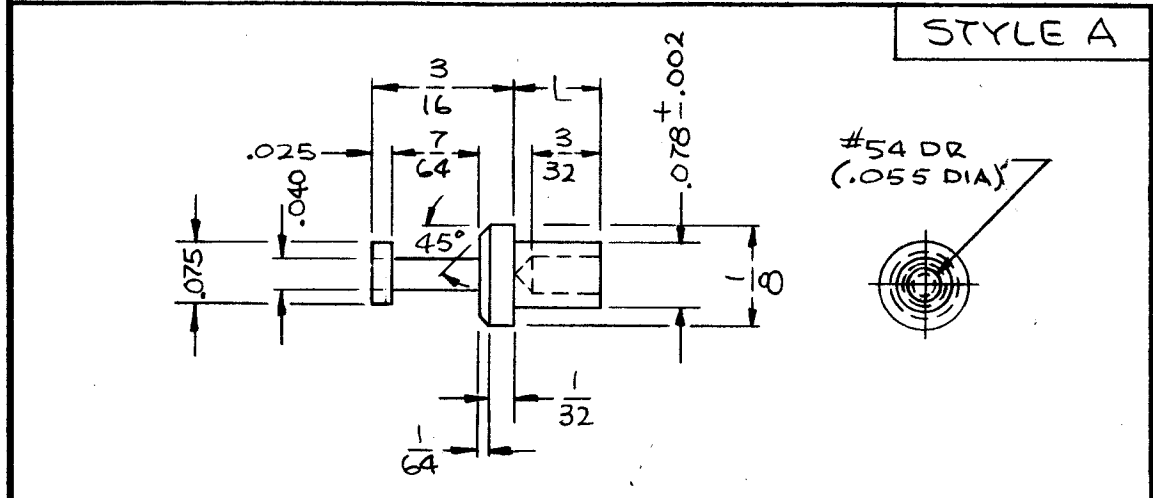


TMC PT/NO	CAT. No	L	MAT'L THK	STYLE
TE127-1	X1457A	5/64	1/32	A
-2	X1457B	7/64	1/16	A
-3	X1457C	9/64	3/32	A
-4	X1457D	11/64	1/8	A
-5	X1558C	9/64	3/32	B
-6	2034-2	7/64	1/16	C
TE127-7	X2132-B	7/64	1/16	D
TE127-8	1042-2	3/32	1/16	E
TE127-9	X2113-2	7/64	1/16	F

TMC PT/NO	CAT. NO.	L	MAT'L THK	STYLE	E
TE127-10	2113-3	9/64	3/32	F	TE127

REVISIONS					
SYM	DESCRIPTION	DATE	E.M.N. NO.	DRAFT	CHKD APPD
C	REDRAWN & REVISED FROM I SIZE STYLE "D" ADDED	12.2.66	17352	WFO	OCB
D	STYLE "E" & "F" ADD.; ADD P/N TE127-8 & -9	10/4/67	18536	ENJ	WFO
E	TE127-10 ADDED	3/12/70	19785	KL	RT



**NOTES**

Q'TY./UNIT	MODEL USED ON	ASS'Y. NO.
SCALE	CODE	S401-167
DO NOT SCALE		

THE CONTENTS OF THIS DRAWING ARE THE EXCLUSIVE PROPERTY OF THE TECHNICAL MATERIEL CORP. ITS UNAUTHORIZED USE OR REPRODUCTION IN WHOLE OR IN PART IS STRICTLY FORBIDDEN.

REQ'D.	ITEM	PART NUMBER	DESCRIPTION	SYMBOL
<b>LIST OF MATERIAL</b>				
MATERIAL		THE TECHNICAL MATERIEL CORP. MAMARONECK, NEW YORK		
FINISH		TITLE TERMINAL STUD		
UNLESS OTHERWISE SPECIFIED DIMENSIONS ARE IN INCHES AND INCLUDE CHEMICALLY APPLIED OR PLATED FINISHES		DRAWN WFO	DATE 12.2.66	FINAL APPROVAL A.B.
DECIMALS .X ± .05 .XX ± .01 .XXX ± .005		CHECKED M.H.S.	DATE	DATE
FRACTIONS ± 1/64 ± 0° 30'		ELECT. DES.	DATE	DATE
TOLERANCES		MECH. DES.	DATE	DATE
SHEET				REV. LTR.