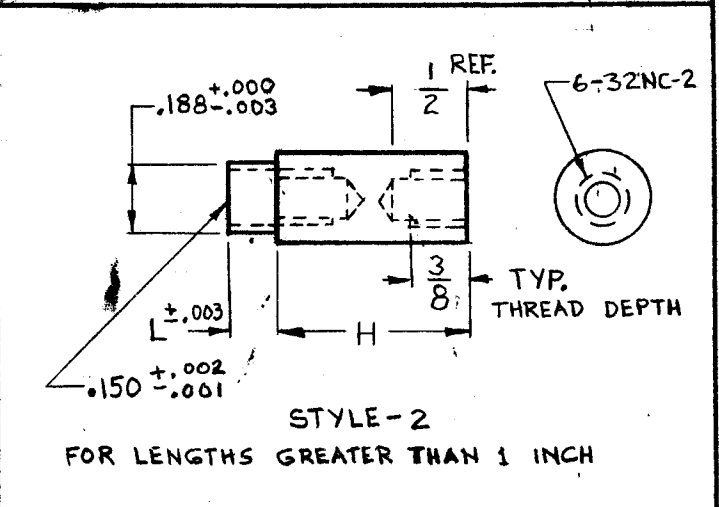
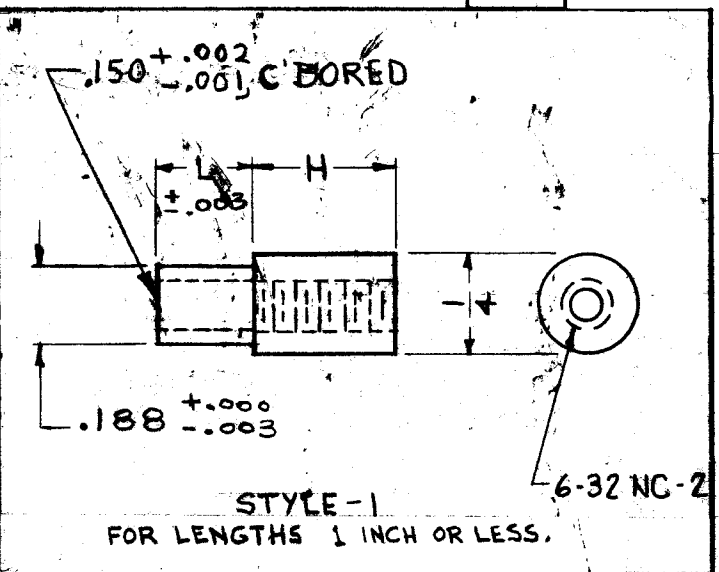


STANDARD DRAWING

TMC NO.	CAT. NO.	L SHANK	MOUNTING BOARD THICKNESS	H	MTG. HOLE	STYLE
TE 108-1	9533B-B-0632-4	.105	1/16	3/4	.189	1
TE 108-2	9533C-B-0632-4	.135	3/32	1/4	.189	1
TE 108-3	9533D-B-0632-4	.165	1/8	1/4	.189	1
TE 108-4	9533E-B-0632-4	.230	3/16	1/4	.189	1
TE 108-5	9533F-B-0632-4	.290	1/4	1/4	.189	1
TE 108-6	9531B-B-0632-4	.105	1/16	1/8	.189	1
TE 108-7	9531C-B-0632-4	.135	3/32	1/8	.189	1
TE 108-8	9531D-B-0632-4	.165	1/8	1/8	.189	1
TE 108-9	9531E-B-0632-4	.230	3/16	1/8	.189	1
TE 108-10	9531F-B-0632-4	.290	1/4	1/8	.189	1
TE 108-11	9535B-B-0632-4	.105	1/16	3/8	.189	1
TE 108-12	9535C-B-0632-4	.135	3/32	3/8	.189	1
TE 108-13	9535D-B-0632-4	.165	1/8	3/8	.189	1
TE 108-14	9535E-B-0632-4	.230	3/16	3/8	.189	1
TE 108-15	9535F-B-0632-4	.290	1/4	3/8	.189	1
TE 108-16	9537C-B-0632-4	.135	3/32	1/2	.189	1
TE 108-17	9536C-B-0632-4	.135	3/32	7/16	.189	1
TE 108-18	9536B-B-0632-4	.105	1/16	7/16	.189	1
TE 108-19	9537B-B-0632-4	.105	1/16	1/2	.189	1
TE 108-20	9536B-B-0632-4	.105	1/16	5/8	.189	1
TE 108-21	9543D-B-0632-4	.165	1/8	7/8	.189	1
TE 108-22	9537B-B-0632-4	.165	1/8	1/2	.189	1
TE 108-23	9536D-B-0632-4	.165	1/8	5/8	.189	1
TE 108-24	9541D-B-0632-4	.165	1/8	3/4	.189	1
TE 108-25	9541D-B-0632-4	.165	1/8	13/16	.189	1
TE 108-26	9541D-B-0632-4	.105	1/16	3/32	.189	1
TE 108-27	9541C-B-0632-4	.135	3/32	1 1/4	.189	2
TE 108-28	9544B-B-0632-4	.105	1/16	15/16	.189	1
TE 108-29	9544B-B-0632-4	.105	1/16	3/4	.189	1
TE 108-30	9532B-B-0632-4	.105	1/16	3/16	.189	1
TE 108-31	9533-18-B-0632-4	.105	1/16	9/32	.189	1
TE 108-32	9534C-B-0632-4	.135	3/32	5/16	.189	1
TE 108-33	9534B-B-0632-4	.105	1/16	5/16	.189	1

A-B
TE 108

REVISIONS						
SYM	DESCRIPTION	DATE	E.M.N. NO.	DRAFT	CHKD	APPD
U	STYLE COL. ADD. TO CHART; PICT; STYLE-2 ADD; LENGTH NOTE ADD. TO STYLE-1; REDRAWN FROM 1 SIZE PER ENN. 13677.	3/23/65	13677	J.F.	JCB	JCB
V	MATERIAL & FINISH CHARTS ADDED	8/4/65	14611	E	JCB	MM
W	BC WAS BN SEENOTE (2 PLS.) NOTE ADDED	10/1/65	14964	H.V.	JCB	JCB
Y	DELE WORD "STYLE" & (-) BETWEEN 1 & BC (PT. NO)	12-13-66	17452	RME	JCB	JCB
Z	TE 108-30 ADDED	1-30-68	18744	H.Z.	JCB	FB
A-A	ADD. IT. TE 108-31	6-22-71	20399	J.F.	W	J.F.
A-B	ADD TE 108-32, & -33	7-14-78	21665	W.S.	W	



MATERIAL TABLE	
CODE	DESCRIPTION
B	BRASS, COMM. 1/2 HARD
S	STEEL, PLAIN
S	STEEL, STAINLESS TYPE 185
N	NAVAL BRONZE
A	ALUMINUM

FINISH TABLE		
CODE	DESCRIPTION	TMC SPEC.
N	BRIGHT NICKEL	S135
S	PASSIVATE (STAINLESS STEEL ONLY)	S104
P	SILVER PLATE	S245
R	NO FINISH	
C	CADMIUM PLATE	S105

TYPICAL PART NO.

TE108-1 BC

NOTE: FOR BRASS, NICKEL PLATE (TYPE BN) OMIT MATERIAL AND FINISH CODE.

EXAMPLE: TE108-1 = BRASS, NICKEL PLATE.

MATERIAL SEE NOTE

TMC PART NO.

FINISH SEE NOTE

STANDARD DRAWING

Q'TY./UNIT	MODEL USED ON	ASS'Y. NO.
SCALE NOT SCALED	CODE S401-89	

THE CONTENTS OF THIS DRAWING ARE THE EXCLUSIVE PROPERTY OF THE TECHNICAL MATERIEL CORP. ITS UNAUTHORIZED USE OR REPRODUCTION IN WHOLE OR IN PART IS STRICTLY FORBIDDEN.

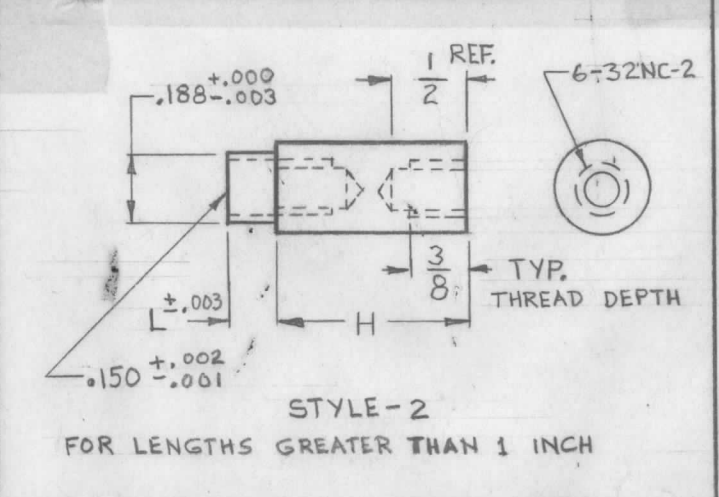
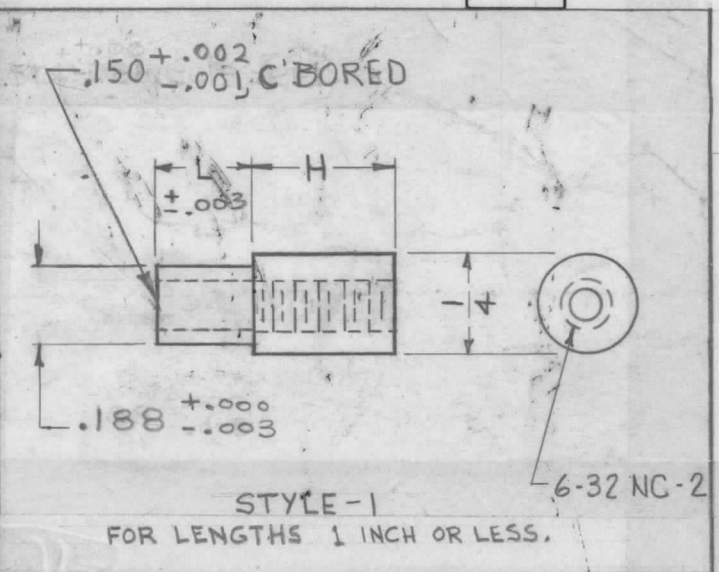
REQ'D.	ITEM	PART NUMBER	DESCRIPTION	SYMBOL
LIST OF MATERIAL				
MATERIAL		THE TECHNICAL MATERIEL CORP. MAMARONECK, NEW YORK		
FINISH		TITLE STANDOFF, RIVET TYPE		
UNLESS OTHERWISE SPECIFIED DIMENSIONS ARE IN INCHES AND INCLUDE CHEMICALLY APPLIED OR PLATED FINISHES		DRAWN J. Luwara CHECKED ELECT. DES. MECH. DES.	DATE 3/23/65 DATE DATE DATE 3/24/65	FINAL APPROVAL DATE 3/29/65 SHEET REV. LTR.

NOTES

TMC NO.	CAT. NO.	L SHANK	MOUNTING BOARD THICKNESS	H	MTG. HOLE	STYLE
TE 108-1	9533B-B-0632-4	.105	1/16	1/4	.189	1
TE 108-2	9533C-B-0632-4	.135	3/32	1/4	.189	1
TE 108-3	9533D-B-0632-4	.165	1/8	1/4	.189	1
TE 108-4	9533E-B-0632-4	.230	3/16	1/4	.189	1
TE 108-5	9533F-B-0632-4	.290	1/4	1/4	.189	1
TE 108-6	9531B-B-0632-4	.105	1/16	1/8	.189	1
TE 108-7	9531C-B-0632-4	.135	3/32	1/8	.189	1
TE 108-8	9531D-B-0632-4	.165	1/8	1/8	.189	1
TE 108-9	9531E-B-0632-4	.230	3/16	1/8	.189	1
TE 108-10	9531F-B-0632-4	.290	1/4	1/8	.189	1
TE 108-11	9535B-B-0632-4	.105	1/16	3/8	.189	1
TE 108-12	9535C-B-0632-4	.135	3/32	3/8	.189	1
TE 108-13	9535D-B-0632-4	.165	1/8	3/8	.189	1
TE 108-14	9535E-B-0632-4	.230	3/16	3/8	.189	1
TE 108-15	9535F-B-0632-4	.290	1/4	3/8	.189	1
TE 108-16	9537C-B-0632-4	.135	3/32	1/2	.189	1
TE 108-17	9536C-B-0632-4	.135	3/32	7/16	.189	1
TE 108-18	9536B-B-0632-4	.105	1/16	7/16	.189	1
TE 108-19	9537B-B-0632-4	.105	1/16	1/2	.189	1
TE 108-20	9539B-B-0632-4	.105	1/16	5/8	.189	1
TE 108-21	9543D-B-0632-4	.165	1/8	7/8	.189	1
TE 108-22	9537D-B-0632-4	.165	1/8	1/2	.189	1
TE 108-23	9539D-B-0632-4	.165	1/8	5/8	.189	1
TE 108-24	9541D-B-0632-4	.165	1/8	3/4	.189	1
TE 108-25	9542D-B-0632-4	.165	1/8	13/16	.189	1
TE 108-26	9531-G-B-0632-4	.105	1/16	3/32	.189	1
TE 108-27	9549C-B-0632-4	.135	3/32	1 1/2	.189	2
TE 108-28	9544B-B-0632-4	.105	1/16	15/16	.189	1
TE 108-29	9541B-B-0632-4	.105	1/16	3/4	.189	1
TE 108-30	9532B-B-0632-4	.105	1/16	3/16	.189	1
TE 108-31	9533-18-B-0632-4	.105	1/16	9/32	.189	1
TE 108-32	9534C-B-0632-4	.135	3/32	5/16	.189	1
TE 108-33	9534B-B-0632-4	.105	1/16	5/16	.189	1

TE108

REVISIONS					
SYM	DESCRIPTION	DATE	E.M.N. NO.	DRAFT	CHKD APPD
U	STYLE COL. ADD. TO CHART; PICT. STYLE-2 ADD; LENGTH NOTE ADD. TO STYLE-1; REDRAWN FROM 1 SIZE PER EMN. 13677.	3/23/65	13677	J.F.	JCB
V	MATERIAL & FINISH CHARTS ADDED	8/4/65	14611	E	JCB MMA
W	BC WAS BN SEENOTE (2 PL'S.) NOTE ADDED	10/11/65	14964	H.V.	JCB
Y	DELE WORD "STYLE" & (-) BETWEEN 1 & BC (PT. NO)	12/13/66	17452	RME	JCB
Z	TE 108-30 ADDED	1/30/68	18744	HZ	JCB FB
A-A	ADD. IT. TE108-31	6-22-71	20399	JF	JCB
A-B	ADD TE108-32, & -33	7-14-78	21665	WJB	JCB



MATERIAL TABLE	
CODE	DESCRIPTION
B	BRASS, COMM. 1/2 HARD
S	STEEL, PLAIN
S	STEEL, STAINLESS TYPE 185
N	NAVAL BRONZE
A	ALUMINUM

FINISH TABLE		
CODE	DESCRIPTION	TMC SPEC.
N	BRIGHT NICKEL	S135
S	PASSIVATE (STAINLESS STEEL ONLY)	S104
P	SILVER PLATE	S245
R	NO FINISH	
C	CADMIUM PLATE	S105

TYPICAL PART NO.

TE108-1 BC

NOTE: FOR BRASS, NICKEL PLATE (TYPE BN) OMIT MATERIAL AND FINISH CODE.

EXAMPLE: TE108-1 = BRASS, NICKEL PLATE.

MATERIAL SEE NOTE

TMC PART NO.

FINISH SEE NOTE

STANDARD DRAWING

REQ'D.	ITEM	PART NUMBER	DESCRIPTION	SYMBOL
LIST OF MATERIAL				
MATERIAL		THE TECHNICAL MATERIEL CORP.		
SEE CHART		MAMARONECK, NEW YORK		
FINISH		TITLE		
SEE CHART		STANDOFF, RIVET TYPE		
UNLESS OTHERWISE SPECIFIED DIMENSIONS ARE IN INCHES AND INCLUDE CHEMICALLY APPLIED OR PLATED FINISHES		DRAWN J. Luwara	DATE 3/23/65	FINAL APPROVAL MMA
		CHECKED	DATE	3/29/65
DECIMALS .X ± .05 .XX ± .01 .XXX ± .005		ELECT. DES.	DATE	TE 108
FRACTIONS ± 1/64 ANGLES ± 0° 30'		MECH. DES.	DATE 3/24/65	A-B
			SHEET	REV. LTR.

NOTES

THE CONTENTS OF THIS DRAWING ARE THE EXCLUSIVE PROPERTY OF THE TECHNICAL MATERIEL CORP. ITS UNAUTHORIZED USE OR REPRODUCTION IN WHOLE OR IN PART IS STRICTLY FORBIDDEN.

Q'TY./UNIT	MODEL USED ON	ASS'Y. NO.
SCALE NOT SCALED	CODE S401-89	